

# Installation Instructions

## Descriptions

The luminaire contains a constant-current driver and LED light sources. It works under technical conditions as the product labels indicate.

## Technical Parameter

LED Flood Light						
Type	FL21B	FL21C	FL21D	FL21E	FL21M	
Power	60W	120W	180W	240W	60W	
Input Voltage	<input type="checkbox"/> 100~240V <input type="checkbox"/> 100~277V <input type="checkbox"/> 220~240V <input type="checkbox"/> 120~277V <input type="checkbox"/> 277~480V <input type="checkbox"/> Other____				Frequency	50/60Hz
Power Factor	0.95					
Working Environment	-40°C~+50°C, 10%~90%RH					
Bolt Torque	17Nm					
Mounting Height	0~35m					
Dimensions	230x260x220 mm	275x360x230 mm	375x385x250mm	450x385x285 mm	195x355x225 mm	
net weight	2.8Kg	3.7Kg	6.1Kg	6.8Kg	2.8Kg	
Project Area	0.060m <sup>2</sup>	0.099m <sup>2</sup>	0.145m <sup>2</sup>	0.174m <sup>2</sup>	0.070m <sup>2</sup>	
Degree of Protection	<input type="checkbox"/> IP54 <input type="checkbox"/> IP65 <input type="checkbox"/> IP66 <input type="checkbox"/> IP67 <input type="checkbox"/> Other____					

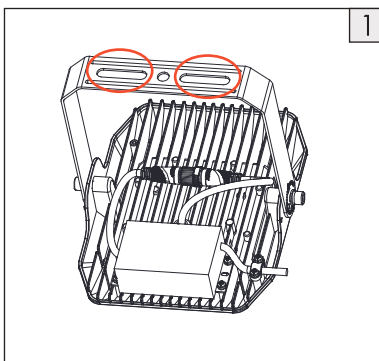
Notes: The above net weight is typical value. The power above are maximum rated power of the model subject to tolerance of 10%.

## Applications

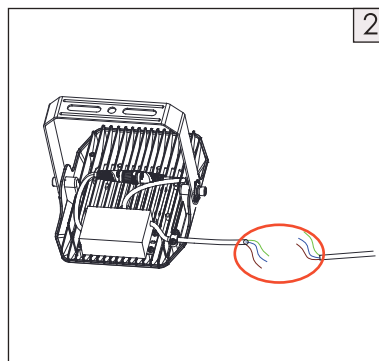
Architectural exterior lighting for single building and historical complex; flood lighting on buildings; indoor area lighting; landscape lighting; billboard lighting; medical, cultural and other establishment lighting; bar, club and other atmosphere lighting; port, air port and other traffic and parking area lighting.

## Installation and Maintenance

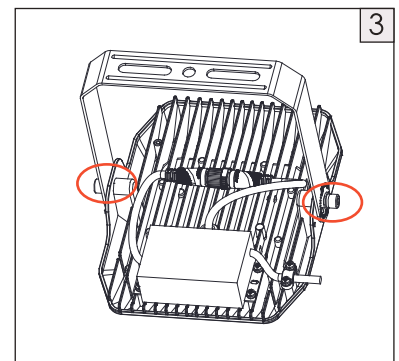
### Installation



1. Mount the luminaire. Fixate it with screws (not provided in box).

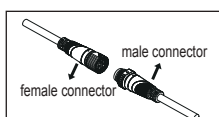


2. Connect the wires to AC input correctly. Make sure of a reliable grounding.

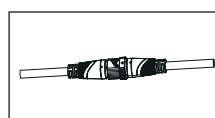


3. Loosen the screws on the sides, and adjust to a proper projection direction. Fasten up the screws.

### Cable Connectors



1. Connect the male and female connectors by aligning the indicative arrow on them.



2. Hold the nut on one terminal still, meanwhile, rotating clockwise till the one on the other terminals is tightened up. Otherwise the waterproof performance might be affected.

# Installation Instructions

## Wiring

Power Supply End	Earth wire	Neutral wire	Live wire
Fixture End	Yellow-green lead	Blue lead	Brown lead
	Green lead	White lead	Black lead

## Caution

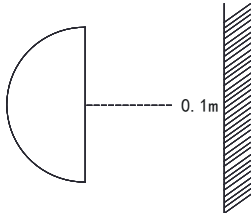
- a** Disconnect or turn off power before installation, maintenance and wiring.
- b** Cable connection must be insulated and waterproof.
- c** The light source of this luminaire is not replaceable. When the light source's lifetime comes to an end, it is the whole luminaire that should be replaced.

Warning: Danger! Electric shock risk!

(via IEC 60417-6042 (2011-11) )



Minimum distance from the light source to the illuminated object: 0.1m.



The luminaire shall be installed by a qualified electrician and wired in accordance with the latest IEE electrical regulations or the national requirements.



This marking indicates that this product should not be disposed with other household wastes throughout the EU. To prevent possible harm to the environment or human health from uncontrolled waste disposal, recycle it responsibly to promote the sustainable reuse of material resources. To return your used device, please use the return and collection systems or contact the retailer where the product was purchased. They can take this product for environmental safe recycling

## Remarks

1. This luminaire uses permanent connection on power supply with flexible cable and wires (60245 IEC57). Sufficient length of cable is reserved for connection to AC power. Protection over the connection joint and elimination of tensile force there should be ensured.
2. This luminaire uses type Z attachment: the external flexible cable or cord of this luminaire cannot be replaced; if the cord is damaged, the luminaire shall be destroyed.
3. Wiring: the connection to AC power should be operated on terminal blocks in a wiring box with a degree of protection at least equivalent to the luminaire, and there should be devices to fixate wires.
4. The luminaire can be mounted onto ordinary combustible surfaces.