

# Installation Instructions

## Descriptions

The luminaire contains constant-current driver(s) and LED lighting sources. It works under technical conditions as the product labels indicate.

## Technical Parameter

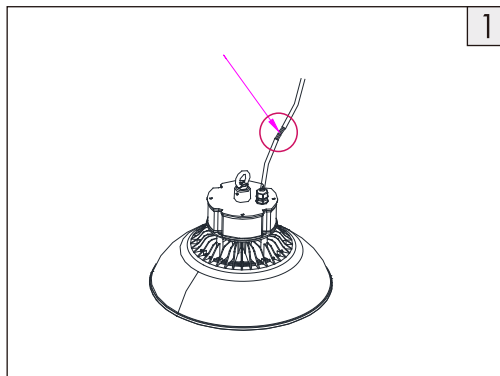
LED High Bay Light				
Type	A	B	C	D
Power	60W	100W	150W	200W
Input Voltage	<input type="checkbox"/> 100~240V <input type="checkbox"/> 100~277V <input type="checkbox"/> 220~240V <input type="checkbox"/> 120~277V <input type="checkbox"/> 277~480V <input type="checkbox"/> Other ____			Frequency   50/60Hz
Power Factor	0.95			
Working Environment	-40°C~+50°C, 10%~90%RH			
Mounting Height	4~25m			
Dimensions	Φ240x205mm	Φ330x240mm	Φ380x270mm	Φ415x295mm
Net Weight	1.5kg	2.2kg	3.2kg	4.5kg
Project Area	0.046m <sup>2</sup>	0.086m <sup>2</sup>	0.114m <sup>2</sup>	0.136m <sup>2</sup>
Degree of Protection	<input type="checkbox"/> IP54 <input type="checkbox"/> IP65 <input type="checkbox"/> IP66 <input type="checkbox"/> IP67 <input type="checkbox"/> Other ____			

Notes: N.W. and dimensions above are based on MOSO drivers. Other brands drivers are subject to tolerance of 5%.  
The power above are maximum rated power of the model subject to tolerance of 10%.

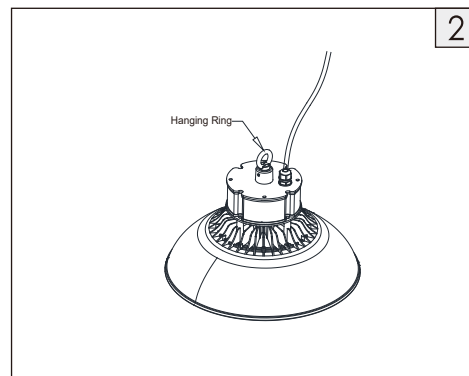
## Applications

Large rooms such as venue, hall, warehouse, factory, gas station, sports center, mall, supermarket, exhibition center, etc.

## Installation



1. Connect the wires to L, N, and G of AC input.



2. Hook and hang the luminaire to the ceiling.  
Installation finished.

## Specifications of Hanging Ring

Driver Brand	Power	60W以下	80~100W	120~150W	180~200W
MOSO	Specifications of Hanging Ring		M10	M12	M12
MEAN WELL			M10	M10	M10
SOSEN		M8	M10	M12	M12

# Installation Instructions

## Wiring

Power Supply End	Earth wire	Neutral wire	Live wire
Fixture End	Yellow-green lead	Blue lead	Brown lead
	Green lead	White lead	Black lead

## Caution

- a** Disconnect or turn off power before installation, maintenance and wiring.
- b** Cable connection must be insulated and waterproof.
- c** For luminaires with glass cover: the cover is made of tempered glass which shatters into small pieces without sharp edges when it breaks. Application condition: -30°C~100°C; maximum temperature rise  $\Delta t \leq 60^\circ\text{C}$ .
- d** The light source of this luminaire is not replaceable. When the light source's lifetime comes to an end, it is the whole luminaire that should be replaced.

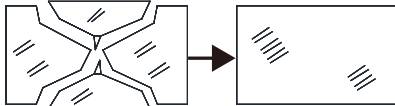
Warning: Danger! Electric shock risk!

(via IEC 60417-6042 (2011-11) )

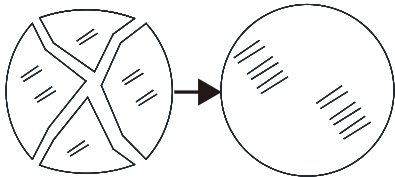


For luminaires with glass cover: The broken cover should be replaced.

Rectangle



Round



The luminaire shall be installed by a qualified electrician and wired in accordance with the latest IEE electrical regulations or the national requirements.



This marking indicates that this product should not be disposed with other household wastes throughout the EU. To prevent possible harm to the environment or human health from uncontrolled waste disposal, recycle it responsibly to promote the sustainable reuse of material resources. To return your used device, please use the return and collection systems or contact the retailer where the product was purchased. They can take this product for environmental safe recycling

## Remarks

1. This luminaire uses permanent connection on power supply with flexible cable and wires (60245 IEC57). Sufficient length of cable is reserved for connection to AC power. Protection over the connection joint and elimination of tensile force there should be ensured sufficient.
2. This luminaire uses type Z attachment: the external flexible cable or cord of this luminaire cannot be replaced; if the cord is damaged, the luminaire shall be destroyed.
3. Wiring: the connection to AC power should be operated on terminal blocks in a wiring box with a degree of protection at least equivalent to the luminaire, and there should be devices to fixate wires.
4. The luminaire can be mounted onto ordinary combustible surfaces.