

Installation Instructions

Descriptions

The luminaire contains a constant-current driver and LED light sources. It works under technical conditions as the product labels indicate.

Technical Parameter

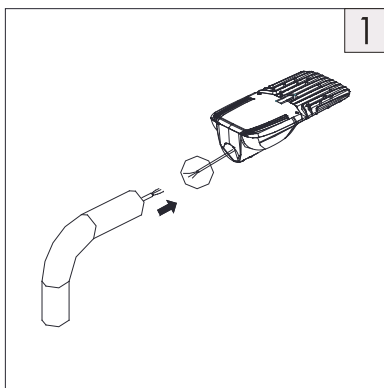
| LED Street Light | | | | | |
|----------------------|---|---------------------|----------------------|---------------------|---------------------|
| Type | A | B | C | D | E |
| Power | 60W | 100W | 120W | 180W | 240W |
| Input Voltage | <input type="checkbox"/> 100~240V <input type="checkbox"/> 100~277V <input type="checkbox"/> 220~240V <input type="checkbox"/> 120~277V <input type="checkbox"/> 277~480V <input type="checkbox"/> Other ____ | | | | Frequency 50/60Hz |
| Power Factor | 0.95 | | | | |
| Working Environment | -40℃~+50℃, 10%~90%RH | | -40℃~+45℃, 10%~90%RH | | |
| Bolt Torque | 17Nm | | | | |
| Mounting Height | 6~15m | | | | |
| Mounting Spacing | 20~45m | | | | |
| Dimensions | 395x180x155mm | 465x220x155mm | 495x340x175mm | 570x340x175mm | 655x340x175mm |
| Net Weight | 2.7kg | 3.9kg | 5.1kg | 5.8kg | 6.7kg |
| Project Area | 0.072m ² | 0.103m ² | 0.169m ² | 0.194m ² | 0.223m ² |
| Degree of Protection | <input type="checkbox"/> IP54 <input type="checkbox"/> IP65 <input type="checkbox"/> IP66 <input type="checkbox"/> IP67 <input type="checkbox"/> Other ____ | | | | |

Notes: The net weight above is typical value. The power above are maximum rated power of the model subject to tolerance of 10%.

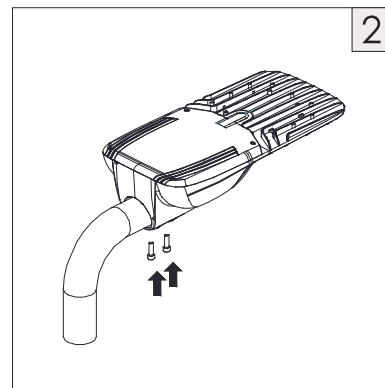
Applications

Expressways, highways, avenues, trunk roads, sub-trunk roads, paths, schools, residential areas, courtyards, etc.

Installation



1. Connect the input wires to AC power supply correctly.



2. Loosen the screws on the tube. Mount the fixture onto the pole and tighten up the screws to fix it. Installation finished.

Wiring

| | | | |
|------------------|-------------------|--------------|------------|
| Power Supply End | Earth wire | Neutral wire | Live wire |
| Fixture End | Yellow-green lead | Blue lead | Brown lead |
| | Green lead | White lead | Black lead |

Installation Instructions

Caution

- a** Disconnect or turn off power before installation, maintenance and wiring.
- b** Cable connection must be insulated and waterproof.
- c** The light source of this luminaire is not replaceable. When the light source's lifetime comes to an end, it is the whole luminaire that should be replaced.

Warning: Danger! Electric shock risk!

(via IEC 60417-6042 (2011-11))



Remarks

1. This luminaire uses permanent connection on power supply with flexible cable and wires (60245 IEC57). Sufficient length of cable is reserved for connection to AC power. Protection over the connection joint and elimination of tensile force there should be ensured.
2. This luminaire uses type Y attachment: method of attachment of the cable or cord such that any replacement can only be made by the manufacturer, his service agent or similarly qualified person.
3. Wiring: the connection to AC power should be operated on terminal blocks in a wiring box with a degree of protection at least equivalent to the luminaire, and there should be devices to fixate wires.
4. The luminaire can be mounted onto ordinary combustible surfaces.

The luminaire shall be installed by a qualified electrician and wired in accordance with the latest IEE electrical regulations or the national requirements.



This marking indicates that this product should not be disposed with other household wastes throughout the EU. To prevent possible harm to the environment or human health from uncontrolled waste disposal, recycle it responsibly to promote the sustainable reuse of material resources. To return your used device, please use the return and collection systems or contact the retailer where the product was purchased. They can take this product for environmental safe recycling