

# Installation Instructions

## Descriptions

The luminaire contains a constant-current driver and LED light sources. It works under technical conditions as the product labels indicate.

## Technical Parameter

LED Tunnel Lights					
Type	M	C	D	E	
Power	60W	120W	180W	240W	
Input Voltage	<input type="checkbox"/> 100~240V <input type="checkbox"/> 100~277V <input type="checkbox"/> 220~240V <input type="checkbox"/> 120~277V <input type="checkbox"/> 277~480V <input type="checkbox"/> Other____			Frequency	50/60Hz
Power Factor	0.95				
Working Environment	-40°C~+50°C, 10%~90%RH				
Storage Environment	-40°C~+50°C, 10%~90%RH				
Bolt Torque	17Nm				
Mounting Height	4~6m				
Dimensions	195x430x225mm	275x430x230mm	375x430x230mm	450x430x270mm	
net weight	2.7kg	3.1kg	5.3kg	6.1kg	
Project Area	0.084m <sup>2</sup>	0.118m <sup>2</sup>	0.162m <sup>2</sup>	0.194m <sup>2</sup>	
Degree of Protection	<input type="checkbox"/> IP54 <input type="checkbox"/> IP65 <input type="checkbox"/> IP66 <input type="checkbox"/> IP67 <input type="checkbox"/> Other____				

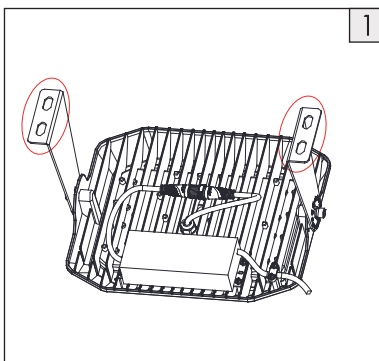
Notes: The above net weight is typical value. The power above are maximum rated power of the model subject to tolerance of 10%.

## Applications

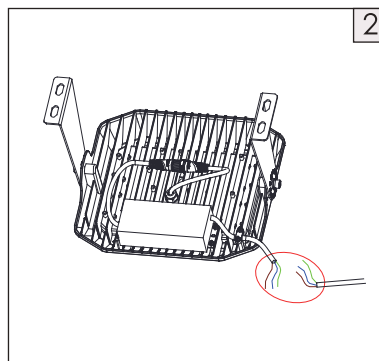
Trunk road, sub-trunk road, highway and other roads in tunnels.

## Installation and Maintenance

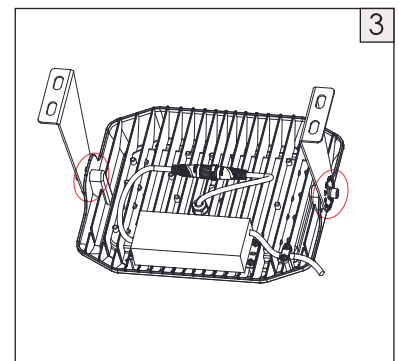
### Installation



1. Fixate the luminaire onto the mounting surface with screws. (recommend M10 screws)

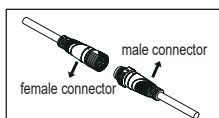


2. Connect the wires to AC input. Make sure it grounded sufficiently.

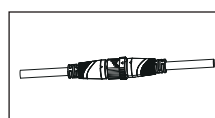


3. Loosen the M10 screws on brackets to adjust to a proper angle.

### Cable Connectors



1. Connect the male and female connectors by aligning the indicative arrow on them.



2. Hold the nut on one terminal still, meanwhile, rotating clockwise till the one on the other terminals is tightened up. Otherwise the waterproof performance might be affected.

# Installation Instructions

## Caution

- a** Disconnect or turn off power before installation, maintenance and wiring.
- b** Cable connection must be insulated and waterproof.
- c** If the luminaire contains a glass cover, it's possible the tempered glass would break into small pieces.  
Ambient temperature:  $-40^{\circ}\text{C}\sim+160^{\circ}\text{C}$ . Maximum temperature rise of glass:  $\Delta t160^{\circ}\text{C}$
- d** The light source of this luminaire is not replaceable. When the light source's lifetime comes to an end, it is the whole luminaire that should be replaced.

Warning: Danger! Electric shock risk!

(via IEC 60417-6042 (2011-11) )



The luminaire shall be installed by a qualified electrician and wired in accordance with the latest IEE electrical regulations or the national requirements.



This marking indicates that this product should not be disposed with other household wastes throughout the EU. To prevent possible harm to the environment or human health from uncontrolled waste disposal, recycle it responsibly to promote the sustainable reuse of material resources. To return your used device, please use the return and collection systems or contact the retailer where the product was purchased. They can take this product for environmental safe recycling

## Remarks

1. This luminaire uses permanent connection on power supply with flexible cable and wires (60245 IEC57). Sufficient length of cable is reserved for connection to AC power. Protection over the connection joint and elimination of tensile force there should be ensured.
2. This luminaire uses type Z attachment: the external flexible cable or cord of this luminaire cannot be replaced; if the cord is damaged, the luminaire shall be destroyed.
3. Wiring: the connection to AC power should be operated on terminal blocks in a wiring box with a degree of protection at least equivalent to the luminaire, and there should be devices to fixate wires.
4. The luminaire can be mounted onto ordinary combustible surfaces.