

TF69AI





LED High Bay Light



Specifications

Input Voltage:	100 ~ 277Vac
Input Frequency:	50 / 60Hz
Power Factor:	0.95
Surge Protection Level:	10kV line-earth
Working Environment:	-40°C ~ +50, 10% ~ 90% RH
CCT:	3000K, 4000K, 5000K, 5700K
CRI:	≥70
Housing:	Die-cast Aluminum, Aluminum sheet
IP Rating:	IP65
IK Rating:	IK06
Warranty:	5 Years Limited

Finishing Colors

	Gray		Black
	White		Dark Gray

Applications

- Gas station
- Large industrial hall (production, processing...)
- Large indoor area (warehouse, logistic hall, supermarket, sport club, exhibition center...)

Features

Construction

- Whole structure heating dissipation design with efficient thermal conduction, radiation and convection.
- Unique patented IP68 LED light engines.
- Compact die-cast structure, solid mechanism and reliable quality.

Electrical

- Constant current output, secure driving of LEDs.
- With light/motion sensor for smart control and energy saving.

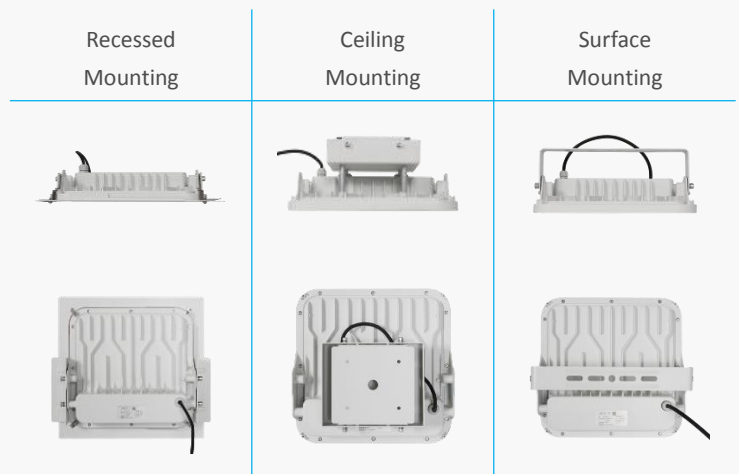
Optical

- Ergonomic and specialized lighting distribution.
- Tempered glass cover, easy for cleaning.

Installation

- Optional installation brackets for recessed mounting/ ceiling mounting/ surface mounting.

Photos



TF69AI

LED High Bay Light

Ordering Information

Example: TF69AQI-2-100-CK7Amax-BA-34-2381-7040-CM-MO-GY

Luminaire Type	Module Qty	System Power	LED Module	LED Package	Cable Standard	LED Qty per Module
TF High bay light	2 2 modules	60 60W 80 80W 100 100W 120 120W	CK7Amax	B 5050	A CCC+VDE C PSE H UL X Others	34 34pcs
69AQI Recessed mounting						
69AXI Ceiling mounting						
69ADI Surface mounting						
Lens Code	CRI & CCT	Brand of LEDs	Driver Brand	Housing Color		
2381 110degree	7030 Ra≥70, CCT 3000K 7040 Ra≥70, CCT 4000K 7050 Ra≥70, CCT 5000K 7057 Ra≥70, CCT 5700K	CM LUMILEDS Customized LN LUMINUS XX Others	MO MOSO XX Others	WH White BK Black GY Gray DG Dark Gray		

Performance

Model	Power (W)	Efficacy (lm/W)	Flux (lm)	Module CK7-34
TF69A	60	170	10200	
	80	168	13440	
	100	164	16400	
	120	160	19200	

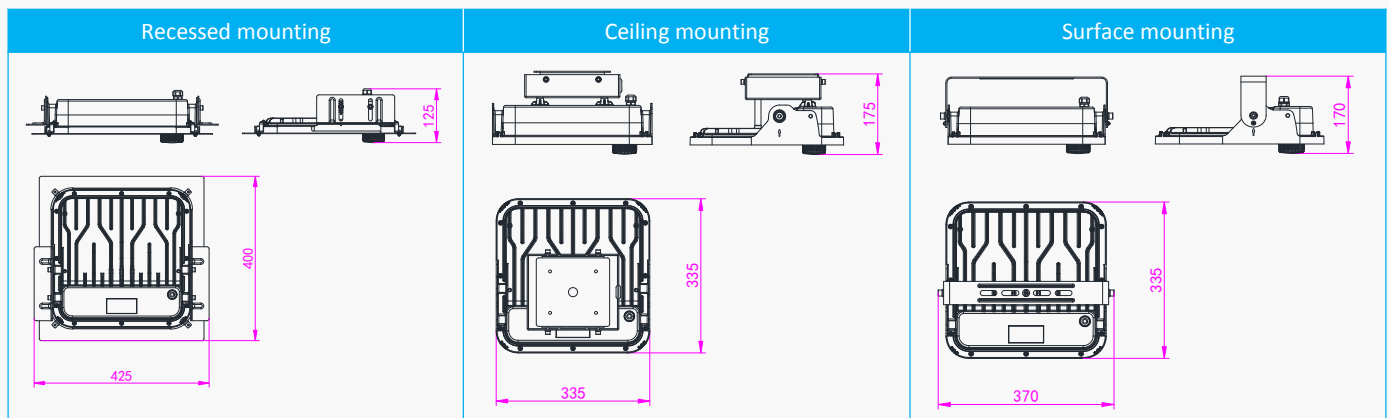
Note: 1. Values shown are subject to ±5%~±8% tolerance

2. Efficacy of Ra70 3000K is 5% lower than other CCT≥4000K.

Product Dimensions

Model	Mounting Style	L (mm)	W (mm)	H (mm)	N.W. (kg)
TF69AQI	Recessed mounting	425	400	125	5.7
TF69AXI	Ceiling mounting	335	335	175	6.0
TF69ADI	Surface mounting	370	335	170	4.7

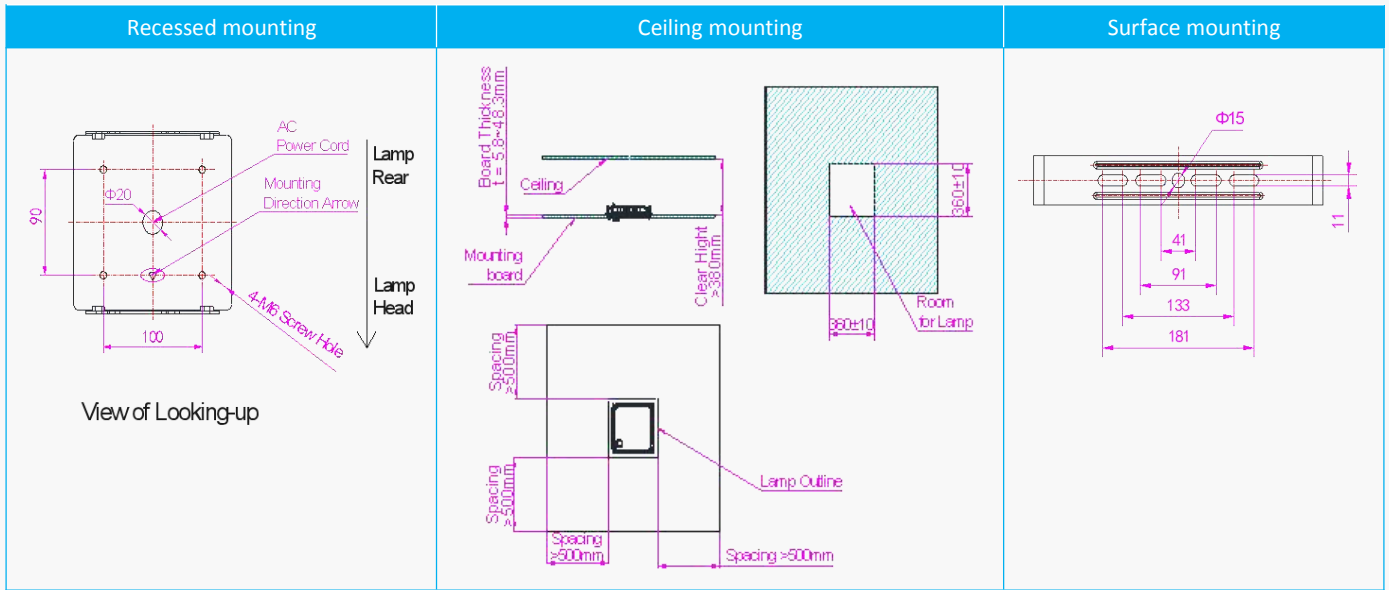
Notes: Typical values above. Tolerance: housing dimensions ±5mm; N.W. ±5%.



TF69AI

LED High Bay Light

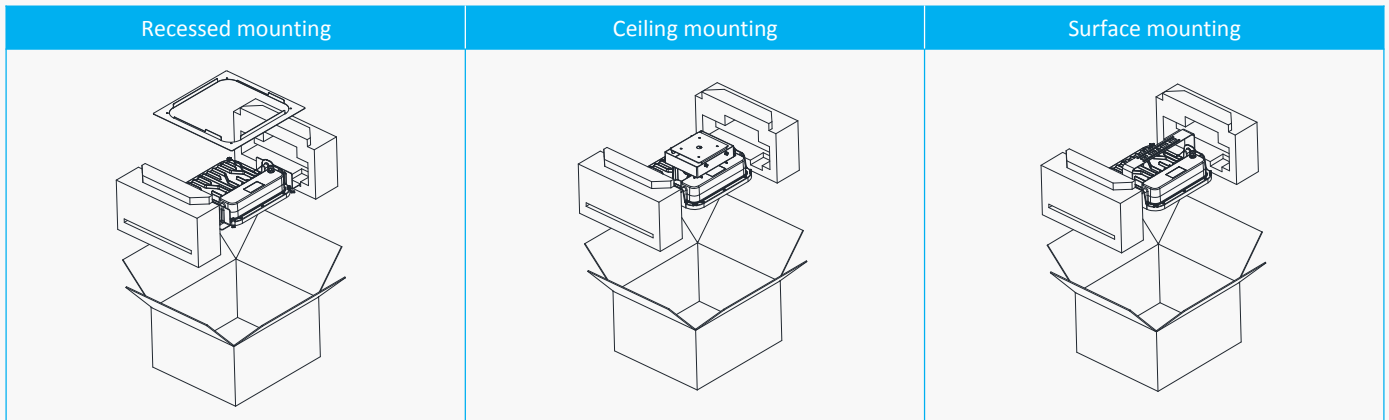
Installation



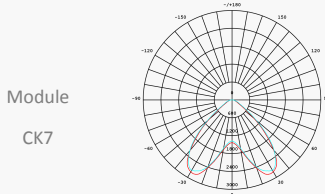
Package Information

Model	Mounting Style	L (mm)	W (mm)	H (mm)	G.W. (kg)
TF69AQI	Recessed mounting	460	430	250	7.0
TF69AXI	Ceiling mounting	460	430	250	7.3
TF69ADI	Surface mounting	460	430	250	6.0

Notes: Typical values above. Tolerance: carton dimensions $\pm 5 \text{mm}$; G.W. $\pm 5\%$..



Typical Distributions



110D2381

TF69AI

LED High Bay Light

Version History

Change Date	Version	Item	Description of Change	
			From	To
2020/09/28	Ver A	Datasheet		Pre-released
2020/10/26	Ver B	N.W. revised		
2020/11/17	Ver1.0	Datasheet	Pre-released	Officially Released