

FL18A

LED Flood Light


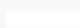



Specifications

Input Voltage:	100 ~ 277Vac
Input Frequency:	50 / 60Hz
Power Factor:	0.95
Surge Protection Level:	10kV line-earth
Working Environment:	-40°C ~ +45°C, 10% ~ 90% RH
CCT:	2300K, 3000K, 4000K, 5000K, 5700K
CRI:	≥60, ≥70
Housing:	Die Casting Aluminum
IP Rating of LED Light Engine:	IP68
IP Rating of Engine Compartment:	IP66
IP Rating of Electrical Compartment:	IP66
Warranty:	5 Years Limited



Finishing Colors

	Gray		Black
	White		Blue

Applications

- Large outdoor space lighting (stadium, airport, parking lot....)
- High-mast lighting

Features

Construction

- High reliable structure specialized in airport parking apron lighting, and general flood lighting.
- Integrated die-cast aluminum housing for high efficient thermal management.
- Unique patented IP68 LED light engines.
- Tempered glass cover good for protection and cleaning.
- IP66 driver box for protection and flexible installation.

Electrical

- Compatible for general flood lighting.

Optical

- Airport-parking-apron-lighting oriented lighting distribution and CCT available.

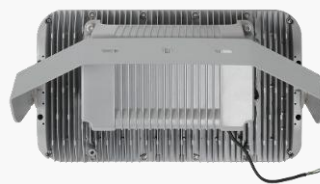
Installation

- Bracket adjustable within 360° with steps by 7.5°.
- Stainless steel bracket by option for harsh environment.
- Laser sight available by option for precise targeting.

Photos



8 separate lenses for possibility of various lighting distributions



Heat-sink integrated structure mounted with IP66 driver box



Adjustable bracket with a dial

FL18A

LED Flood Light

Ordering Information

Example: FL18A-N8-500-BA-24-2225-7040-CM-IN-GY

Luminaire Type	Module Qty	System Power	LED Package	Cable Standard	LED Qty per Module
FL Flood light 18A 18A series	N8 8 Optical set	320 320W 400 400W 500 500W	A 3535 LEDs B 5050 LEDs	A CCC+VDE C PSE H UL X OTHER	24 24pcs
Lens Code	CRI & CCT	Brand of LEDs	Driver Brand	Housing Color	
2012 12 degree 2318 Sports lighting 2225 25 degree	6023 Ra≥60, 2300K 7030 Ra≥70, 3000K 7040 Ra≥70, 4000K 7050 Ra≥70, 5000K 7057 Ra≥70, 5700K	LU LUMILEDS CM LUMILEDS Customized XX OTHERS	IN INVENTRONICS XX OTHERS	BK Black WH White BU Blue GY Gray	

Performance

Model	Power (W)	Luxeon TX (3535) LEDs		Lumileds Customized (5050) LEDs		CRI	CCT
		Efficacy (lm/W)	Flux (lm)	Efficacy (lm/W)	Flux (lm)		
FL18A	320	121	38,720	147	47,040	≥ 70	4000
	400	117	46,800	140	56,000		5000
	500	112	56,000	135	67,500		5700

Notes: 1. Values shown are subject to ±5%~±8% tolerance, based on 90% transmittance through tempered glass.

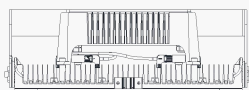
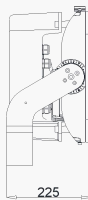
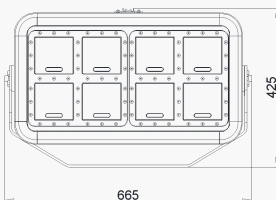
2. Efficacy of Ra60 2300K is 10% lower than CCT≥4000K. Efficacy of Ra70 3000K is 5% lower than other CCT≥4000K

Dimensions

Power	L (mm)	W (mm)	H (mm)	N.W. 1* (kg)	N.W. 2* (kg)
320W	665	425	225	16.3	21.2
400W					21.7
500W					22.8

Notes: 1. Typical values above subject to tolerance of 5%.

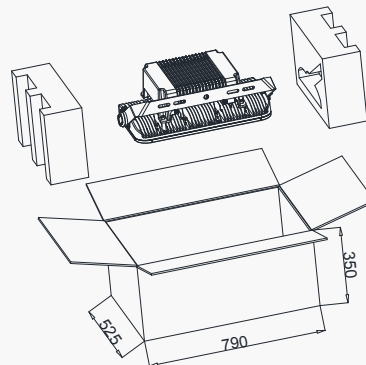
2. N.W. 1 refers to the main fixture; N.W. 2 refers to the main fixture plus the driver box. The driver box can be installed on the main body or separated by option



Package Information

Power	L (mm)	W (mm)	H (mm)	G.W. (kg)
320W	790	525	350	23.8
400W				24.3
500W				25.4

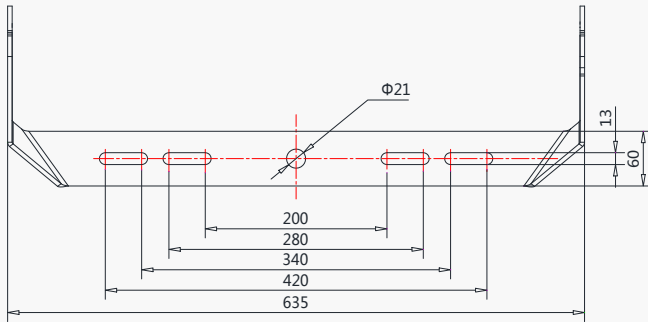
Notes: Typical values above subject to tolerance 5%.



FL18A

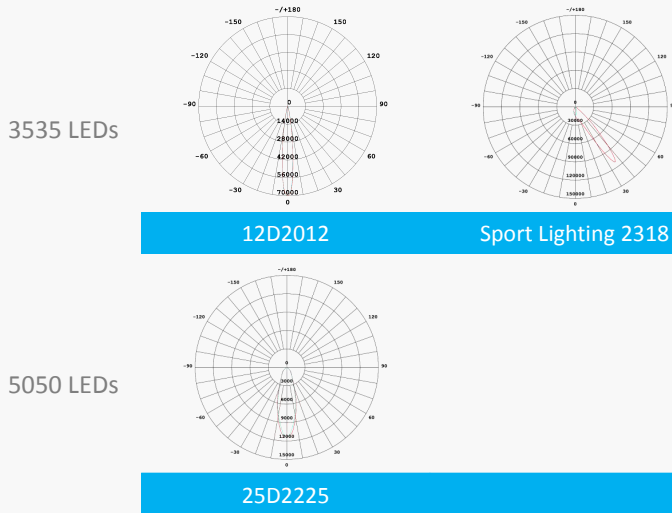
LED Flood Light

Installation Bracket

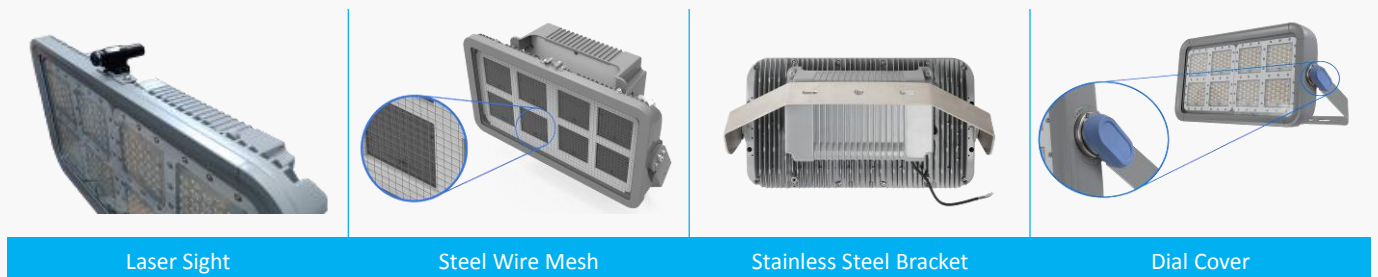


Tolerance: $\pm 0.5\text{mm}$

Typical Distributions



Optional Accessories



Version History

Change Date	Version	Item	Description of Change	
			From	To
2018/10/18	Ver. 2.0	Datasheets release	/	/
2018/11/22	Ver. 2.1	Optional accessories		Stainless steel bracket, dial cover
2019/01/04	Ver. 2.2	Ordering information		LED package and cable standard added
2019/06/04	Ver.2.3	Company logo		update
2019/08/28	Ver2.4	Efficacy of 5050 LED solution		upgrade
2019/10/17	Ver2.5	CCT	2400K	2300K