

# FL46A

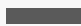
## LED Flood Light



### Specifications

<b>Input Voltage:</b>	100 ~ 277Vac
<b>Input Frequency:</b>	50 / 60Hz
<b>Power Factor:</b>	0.95
<b>Surge Protection Level:</b>	10kV line-earth
<b>Working Environment:</b>	-40°C ~ +50°C, 10% ~ 90% RH
<b>CCT:</b>	3000K, 4000K, 5000K, 5700K
<b>CRI:</b>	≥70
<b>Housing:</b>	Die-cast Aluminum
<b>IP Rating of LED Light Engine</b>	IP68
<b>IP Rating of LED Driver:</b>	IP67
<b>Warranty:</b>	5 Years Limited

### Finishing Colors

	Gray		Black
	White		Dark Gray

### Photos



### Features

#### Construction

- Compact light weight die-cast provides reliable construction.
- Whole structure heating dissipation design with efficient thermal conduction, radiation and convection.
- Unique patented IP68 LED light engines.
- Optional surface treatment solution against corrosion in coast area or high UV environment.

#### Electrical

- Flexible to reach desired power consumption up to 960W by choosing appropriate light engines.
- Constant current, steady output and safety for LEDs.

#### Optical

- A new generation of modular technique, higher efficiency.
- Ergonomic and specialized lighting distributions available for various area lighting.
- Narrow beam angle 10°/ 15° available for spot lighting.

### Applications

- Sports facilities (stadium, football field, golf course....)
- Traffic arteries (airport, crossroad....)
- Advertisement (wall, billboard....)

# FL46A

LED Flood Light

## Ordering Information

Example: FL46A-N4-240-BA-36-1351-7040-CM-MO-GY

Luminaire Type	Module Qty	System Power	LED Package	Cable Standard	LED Qty per Module
<b>FL</b> Flood light	<b>N1</b> N1 module	<b>40</b> 40W	<b>A</b> 3535	<b>A</b> CCC+VDE	<b>36</b> 36pcs
<b>46A</b> 46A series	<b>N2</b> N2 modules	<b>50</b> 50W	<b>B</b> 5050	<b>C</b> PSE	
	.... ....	<b>60</b> 60W		<b>H</b> UL	
	<b>N8</b> N8 modules	..... .....		<b>X</b> Others	
	<b>N10</b> N10 modules	<b>300</b> 300W			
	<b>N12</b> N12 modules	..... .....			
	<b>N14</b> N14 modules	<b>600</b> 600W			
	<b>N16</b> N16 modules	..... .....			
		<b>960</b> 960W			

Lens Code	CRI & CCT	Brand of LEDs	Driver Brand	Housing Color
<b>1217</b> 10degree	<b>7030</b> Ra≥70, CCT 3000K	<b>LU</b> LUMILEDS	<b>IN</b> INVENTRONICS	<b>BK</b> Black
<b>1218</b> 15degree	<b>7040</b> Ra≥70, CCT 4000K	<b>CM</b> Customized	<b>MO</b> MOSO	<b>WH</b> White
	<b>7050</b> Ra≥70, CCT 5000K	<b>SS</b> SAMSUNG	<b>PH</b> PHILIPS	<b>GY</b> Gray
	<b>7057</b> Ra≥70, CCT 5700K	<b>NI</b> NICHIA	<b>MW</b> MEAN WELL	<b>DG</b> Dark Gray
		<b>CR</b> CREE	<b>AD</b> ADAYO	
<b>3353</b> 25 degree		<b>OS</b> OSRAM	<b>XX</b> Others	
<b>1351</b> 40 degree				
<b>1352</b> 60 degree				

## Performance

Model	Power (W)	3535 LED Package		5050 LED Package	
		Efficacy (lm/W)	Flux (lm)	Efficacy (lm/W)	Flux (lm)
FL46A-N1	40	134	5360	165	6600
	50	130	6500	163	8150
	60	127	7620	157	9420
FL46A-N2	80	145	11600	176	14080
	100	142	14200	172	17200
	120	137	16440	167	20040
FL46A-N3	120	145	17400	176	21120
	150	142	21300	172	25800
	180	137	24660	167	30060
FL46A-N4	160	145	23200	176	28160
	200	142	28400	172	34400
	240	137	32880	167	40080
FL46A-N5	200	145	29000	176	35200
	250	142	35500	172	43000
	300	137	41100	167	50100
FL46A-N6	240	145	34800	176	42240
	300	142	42600	172	51600
	360	137	49320	167	60120
FL46A-N7	280	145	40600	176	49280
	350	142	49700	172	60200
	420	137	57540	167	70140
FL46A-N8	320	145	46400	176	56320
	400	142	56800	172	68800
	480	137	65760	167	80160

Notes: 1. Values shown are subject to ±5%~±8% tolerance. Efficacy of Ra70 3000K is 5% lower than data above.

2. Efficacy with lighting distribution 25D3353 is 8% lower than data above.

# FL46A

LED Flood Light

## Performance

Model	Power (W)	3535 LED Package		5050 LED Package	
		Efficacy (lm/W)	Flux (lm)	Efficacy (lm/W)	Flux (lm)
FL46A-N10	400	145	58000	176	70400
	500	142	71000	172	86000
	600	137	82200	167	100200
FL46A-N12	480	145	69600	176	84480
	600	142	85200	172	103200
	720	137	98640	167	120240
FL46A-N14	560	145	81200	176	98560
	700	142	99400	172	120400
	840	137	115080	167	140280
FL46A-N16	640	145	92800	176	112640
	800	142	113600	172	137600
	960	137	131520	167	160320

Notes: 1. Values shown are subject to  $\pm 5\%$ ~ $\pm 8\%$  tolerance. Efficacy of Ra70 3000K is 5% lower than data above.

2. Efficacy with lighting distribution 25D3353 is 8% lower than data above

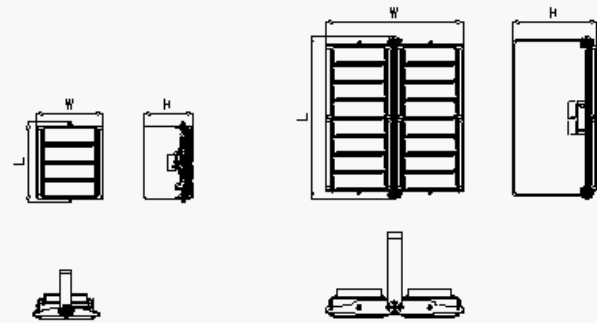
## Product Dimensions

Model	L (mm)	W (mm)	H (mm)	N.W. (kg)
FL46A-N1	120	295	220	2.3
FL46A-N2	200	295	220	3.3
FL46A-N3	280	295	220	4.2
FL46A-N4	360	295	220	5.2
FL46A-N5	440	295	220	7.7
FL46A-N6	525	295	220	9.2
FL46A-N7	605	295	220	10.7
FL46A-N8	685	295	220	11.9
FL46A-N10	490	610	375	22.6
FL46A-N12	570	610	375	24.3
FL46A-N14	650	610	375	26.0
FL46A-N16	730	610	375	27.7

Notes: Typical values above. Actual N.W. is subject to tolerance of 5%.

FL46A-N1/ 2/ 3/ 4/ 5/ 6/ 7/ 8

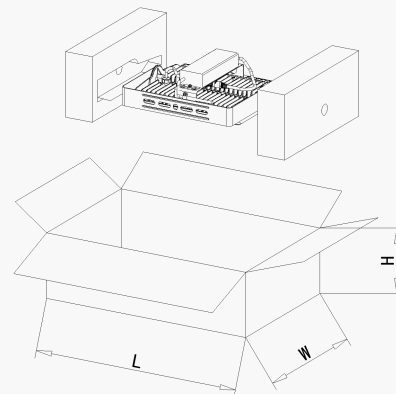
FL46A-N10/ 12/ 14/ 16



## Package Information

Model	L (mm)	W (mm)	H (mm)	G.W. (kg)
FL46A-N1	160	400	180	2.7
FL46A-N2	260	400	200	3.9
FL46A-N3	340	400	200	5.0
FL46A-N4	420	400	200	6.1
FL46A-N5	510	410	220	8.8
FL46A-N6	590	410	220	10.6
FL46A-N7	670	410	220	11.8
FL46A-N8	750	410	220	13.2
FL46A-N10	550	760	230	23.9
FL46A-N12	630	760	230	26.1
FL46A-N14	710	760	230	28.3
FL46A-N16	790	760	230	30.5

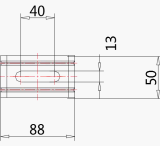
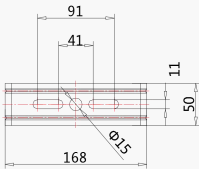
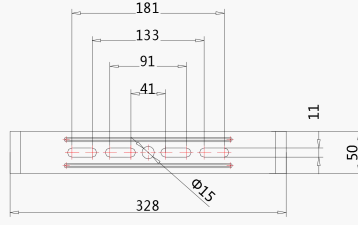
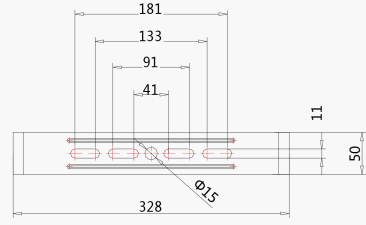
Notes: Typical values above. Tolerance of dimensions:  $\pm 5$ mm. Tolerance of G.W.: 5%.



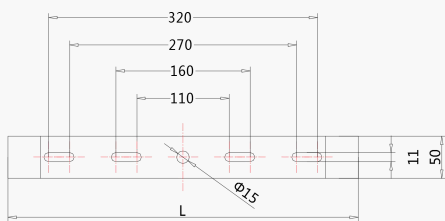
# FL46A

LED Flood Light

## Mounting Holes Dimensions

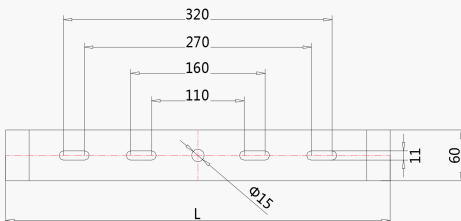
FL46A-N1	FL46A-N2	FL46A-N3	FL46A-N4
			

### FL46A-N5/6/7/8



Model	FL46A-N6	FL46A-N7	FL46A-N8	FL46A-N8
Length L (mm)	417	497	577	657

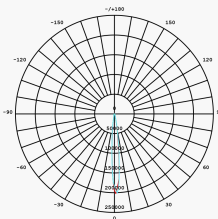
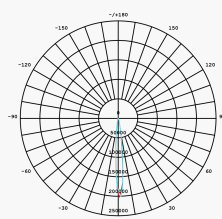
### FL46A-N10/12/14/16



Model	FL46A-N10	FL46A-N12	FL46A-N14	FL46A-N16
Length L (mm)	458	538	618	698

## Typical Distributions

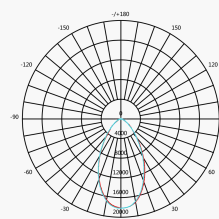
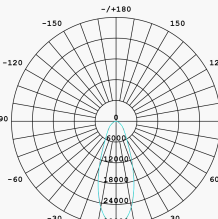
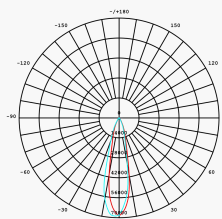
3535 LEDs



10D1217

15D1218

5050 LEDs



25D3353

40D1351

60D1352

# FL46A

LED Flood Light

## Version History

Change Date	Version	Item	Description of Change	
			From	To
2020/11/12	Ver A	Datasheet pre-released		
2021/01/21	Ver B	(Pre-released ) Efficacy & mounting info		updated
2021/03/11	Ver1.0	Datasheet officially released. -- Product dimensions of FL46A-N6~N8 -- N.W. and G.W. of FL46A-N1~N8		Increased by 5mm Increased.