

# GL2A

## LED Garden Light



### Specifications

<b>Input Voltage:</b>	100 ~ 240Vac
<b>Input Frequency:</b>	50 / 60Hz
<b>Power Factor (PF):</b>	0.95
<b>Surge Protection Level:</b>	10kV line-earth
<b>Operating Environment:</b>	-40°C ~ +45°C, 10% ~ 90% RH
<b>Color Temperature (CCT)*:</b>	3000K, 4000K, 5000K, 5700K
<b>Color Rendering Index (CRI):</b>	≥70
<b>Housing:</b>	Die-cast Aluminum
<b>IP Rating of LED Light Engine:</b>	IP68
<b>IP Rating of Driver:</b>	IP67
<b>Warranty:</b>	5 Years Limited

### Applications

- Public areas lighting  
(Theme parks, squares...)
- Roadway lighting  
(Residential areas, overpasses, alleys...)

### Features

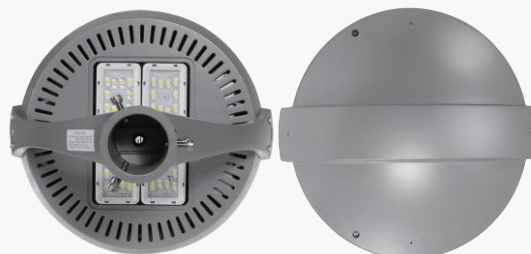
#### Construction

- Die-cast aluminum housing.
- Unique patented IP68 (highest protection level) LED light engines.
- Whole structure heating dissipation design with best thermal conduction and radiation.
- IP67 rated luminaire.

#### Distribution

- Ergonomic and dedicated lighting distributions are available for various roadway applications.

### Finishing Colors



# GL2A

LED Garden Light

## Ordering Information

Example: GL2A-2-100-M1A-VAA-18-3501-7040-LU-IN-GY

Luminary Type	Module Qty.	System Power	Module Type	Module Interface Type	LED Package	Cable Standard	LED Qty. per module
<b>GL</b> Garden light	<b>1</b> 1 modules	<b>40</b> 40W	<b>M16B</b> M16B module	<b>V</b>	<b>A</b> 3535	<b>A</b> CCC+VDE	<b>18</b> 18pcs
<b>2A</b> 2A series	<b>2</b> 2 modules	<b>50</b> 50W	<b>M1A</b> M1A module	V-shaped groove	<b>B</b> 5050	<b>C</b> PSE	<b>28</b> 28pcs
		...	<b>M8B</b> M8B module		<b>C</b> 3030	<b>H</b> UL	<b>63</b> 63pcs
		<b>120</b> 120W				<b>X</b> OTHER	

Lens Code	CRI & CCT	Brand of LEDs	Driver Brand	Housing Colors		
<b>1107</b> Type I Short	<b>3501</b> Type I Short	<b>5323</b> Type I Short	<b>7030</b> Ra≥70, 3000K	<b>LU</b> LUMILEDS	<b>IN</b> INVENTRONICS	<b>BK</b> Black
<b>2105</b> Type II Short	<b>3100</b> Type I Short	<b>1324</b> Type II Short	<b>7040</b> Ra≥70, 4000K	<b>CR</b> CREE	<b>MO</b> MOSO	<b>WH</b> White
<b>2128</b> Type II Short	<b>1312</b> Type II Short	<b>2201</b> Type II Short	<b>7050</b> Ra≥70, 5000K	<b>OS</b> OSRAM	<b>XX</b> OTHER	<b>GY</b> Gray
<b>2111</b> Type II Medium	<b>3702</b> Type II Medium	<b>2321</b> Type II Short	<b>7057</b> Ra≥70, 5700K	<b>NI</b> NICHIA		<b>DG</b> Dark Gray
<b>3106</b> Type II Short	<b>3910</b> Type III Medium	<b>5321</b> Type II Short		<b>SS</b> SAMSUNG		
<b>1113</b> Type III Short	<b>5703</b> Type IV Medium	<b>1321</b> Type III Medium		<b>CM</b> CUSTOMIZATION		
<b>2109</b> Type III Medium	<b>3040</b> Type V Square			<b>XX</b> OTHER		
<b>2127</b> Type III Medium						
<b>2040</b> Type V						
<b>2114</b> Type V						
<b>M16B, 5050 LEDs</b>	<b>M1A, 3535 LEDs</b>	<b>M8B, 3030 LEDs</b>				

## Performance

Model	Power (W)	5050 LEDs – 28pcs		5050 LEDs – 18pcs		3535 LEDs – 18pcs		3030 LEDs - 63pcs	
		Efficacy (lm/W)	Lumens (lm)	Efficacy (lm/W)	Lumens (lm)	Efficacy (lm/W)	Lumens (lm)	Efficacy (lm/W)	Lumens (lm)
GL2A-1	40	146	5,840	132	5,280	113	4,520	117	4,680
	50	141	7,050	126	6,300	106	5,300	113	5,650
	60	134	8,040	115	6,900	101	6,060	106	6,360
GL2A-2	80	152	12,160	139	11,120	119	9,520	121	9,680
	100	146	14,600	132	13,200	113	11,300	117	11,700
	120	141	16,920	126	15,120	106	12,720	110	13,200

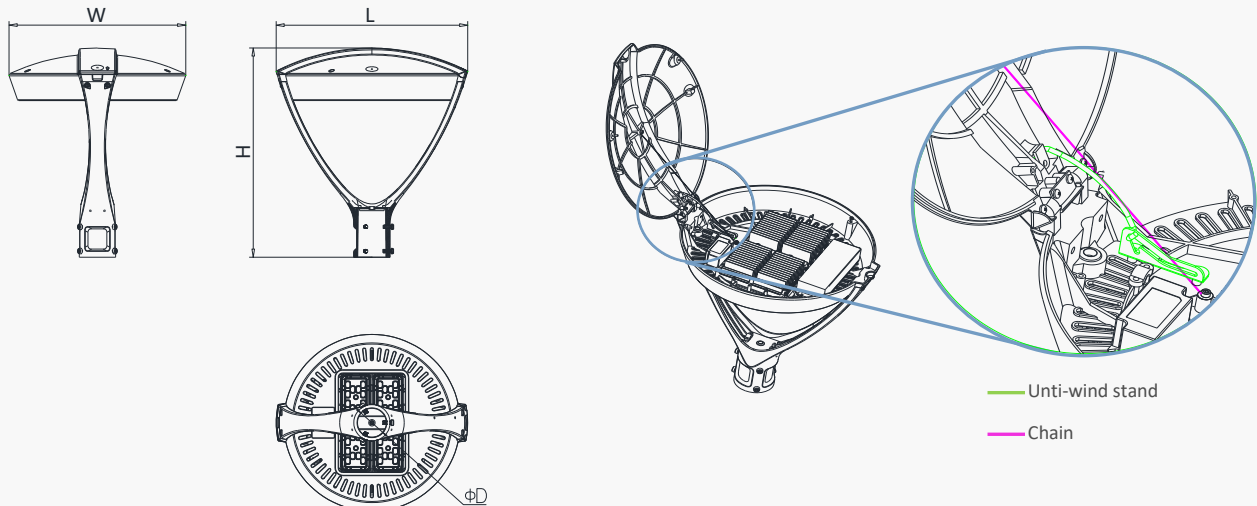
\*Above values are calculated based on the product with CCT over 3000K, values of 3000K are 5% lower than above values.

\*Values shown are subject to ±5%~±8% tolerance.

## Dimensions

Model	L (mm)	W (mm)	H (mm)	ΦD (mm)	Max. Installation Depth (mm)	N.W.* (kg)
GL2A-1	475	440	520	Φ70	115	6.6
GL2A-2	475	440	520	Φ70	155	7.1

Note: Values shown are subject to ±5% tolerance.



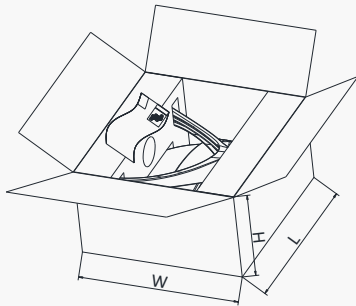
# GL2A

LED Garden Light

## Package Information

Model	L (mm)	W (mm)	H (mm)	G.W.* (kg)
GL2A-1	565	535	300	8.4
GL2A-2	565	535	300	8.9

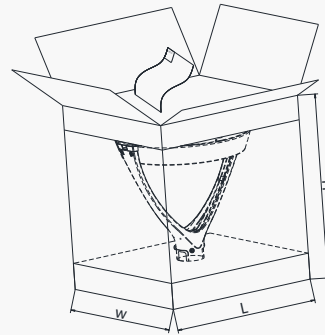
Note: Values shown are subject to  $\pm 5\%$  tolerance.



Compact Package

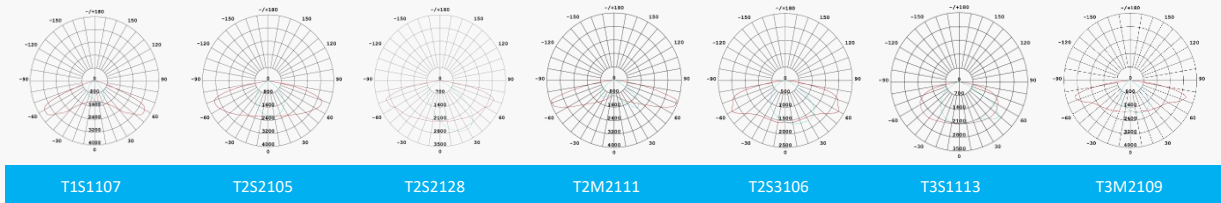
Model	L (mm)	W (mm)	H (mm)	G.W.* (kg)
GL2A-1	565	535	615	9.1
GL2A-2	565	535	615	9.6

Note: Values shown are subject to  $\pm 5\%$  tolerance.

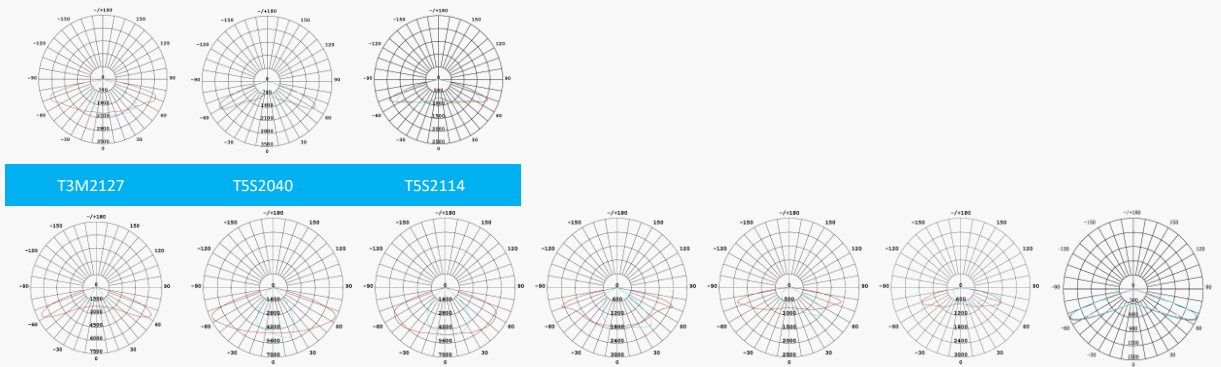


## Distributions

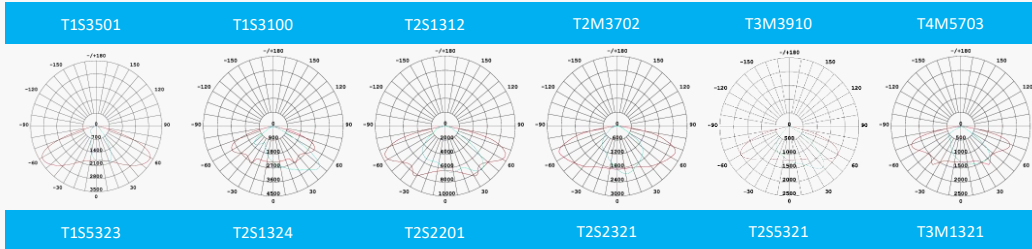
M16B  
5050 LEDs



M1A  
3535 LEDs



M8B  
3030 LEDs



## Version History

Change Date	Version	Item	Description of Change	
			From	To
2019/06/04	2.0	Datasheet release		