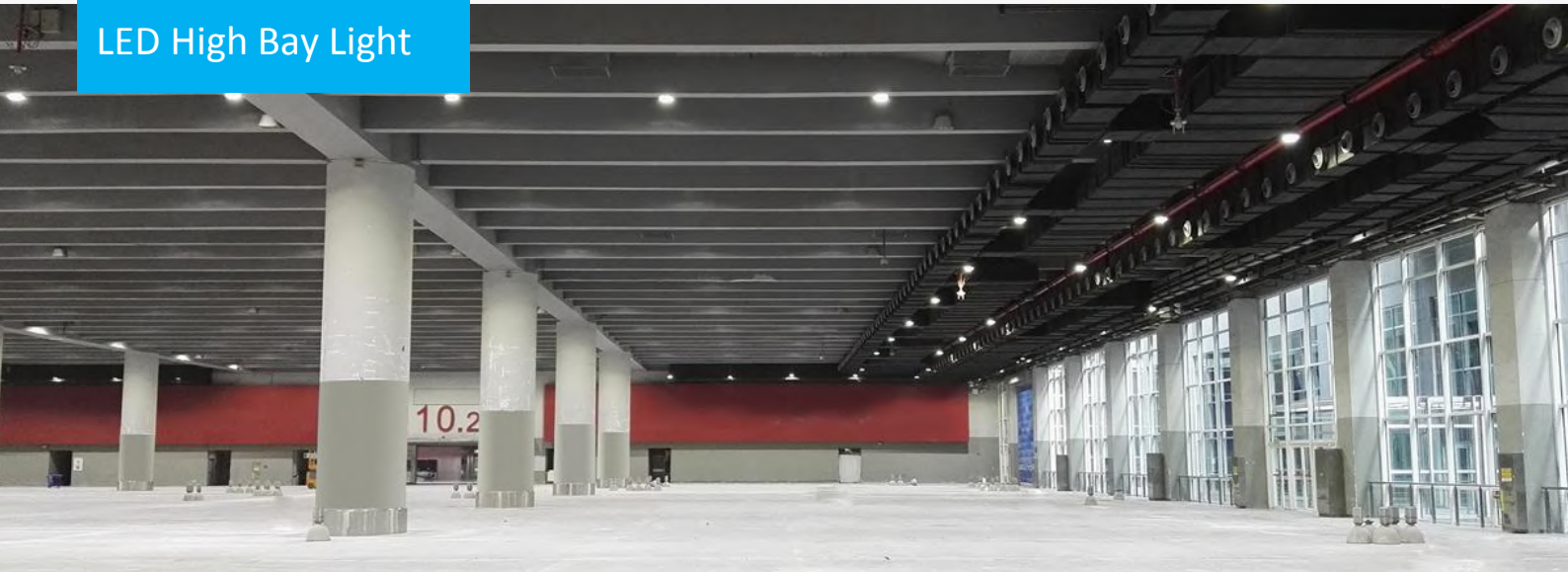


TF8 Series

LED High Bay Light



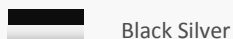
Specifications

Input Voltage:	100 ~ 277Vac
Input Frequency:	50 / 60Hz
Power Factor:	0.95
Surge Protection Level:	6kV line-earth *4kV line-earth @≤60W
Working Environment:	-40°C ~ +45°C, 10% ~ 90% RH
CCT:	3000K, 4000K, 5000K, 5700K
CRI:	≥70
Housing:	Aluminum/ PC
IP Rating of LED Engine:	IP68
IP Rating of Luminaire:	IP65 *IP20 @PC Reflector with Bottom Version
Warranty:	5 Years Limited

Applications

- Factory facilities (plant, office, warehouse....)
- Area lighting (exhibition hall, convention center, garage....)
- Indoor sports facilities (gym, club...)

Finishing Colors



Features

Construction

- Whole structure heating dissipation design with efficient thermal conduction, radiation and convection.
- Unique patented IP68 LED light engine
- Optional aluminum or PC anti-glare reflector for comfortable lighting environment.

Optical

- Ergonomic and uniform lighting distribution designs.
- Unmatched lighting performance, driver stability and desirable lifespan;

Photos

60° Aluminum Reflector



90° Aluminum Reflector



PC Reflector with Bottom



PC Reflector



No Reflector



TF8 Series

LED High Bay Light

Ordering Information

Example: TF8C-N1-100-BA-32-5760-7040-CM-MO-BKSR-A

Luminaire Type	Module Qty	System Power	LED Package	Cable Standard	LED Qty per Module
TF High bay light	N1 1 module	60 60W	B 5050 LEDs	A CCC+VDE C PSE H UL X OTHERS	18 18pcs
8B 8B series		80 80W			24 24pcs
8F 8F series		100 100W			26 26pcs
8C 8C series		120 120W			32 32pcs
8G 8G series		150 150W			40 40pcs
8D 8D series		180 180W			50 50pcs
8H 8H series	200 200W	60 60pcs			
					66 66pcs

Lens Code	CRI & CCT	Brand of LEDs	Driver Brand	Housing Color	Lamp Reflector
2960 60 degree	7030 Ra≥70, 3000K	CM Lumileds Customized	MO MOSO	BKSR Black Silver	A 60° Aluminum Reflector
2990 90 degree					B 90° Aluminum Reflector
5760 60 degree	7050 Ra≥70, 3000K	XX Others			C PC Reflector with Bottom
5790 90 degree					D PC Reflector
5860 60 degree	7057 Ra≥70, 3000K				[] No Reflector
2890 90 degree					

Note: TF8D has no PC Reflector C or Reflector D. TF8F, TF8G and TF8H have No Reflector version only.

Performance

Model	Power (W)	LED Quantity (pcs)	A: 60° Aluminum Reflector		B: 90° Aluminum Reflector		C: PC Reflector with Bottom		D: PC Reflector	
			Efficacy (lm/W)	Flux (lm)	Efficacy (lm/W)	Flux (lm)	Efficacy (lm/W)	Flux (lm)	Efficacy (lm/W)	Flux (lm)
TF8B	60	18	128	7680	135	8100	114	6840	130	7800
TF8C	60	24	142	8520	150	9000	127	7620	145	8700
	80	26	137	10960	145	11600	123	9840	140	11200
	100	32	135	13500	143	14300	121	12100	138	13800
	120	40	137	16440	145	17400	123	14760	140	16800
	150	50	137	20550	145	21750	123	18450	140	21000
TF8D	150	60	142	21300	150	22500	/	/	/	/
	180	60	137	24660	145	26100	/	/	/	/
	200	66	137	27400	145	29000	/	/	/	/

Model	Power (W)	LED Quantity (pcs)	[]: No Reflector	
			Efficacy (lm/W)	Flux (lm)
TF8F	60	18	135	8100
TF8G	60	24	150	9000
	80	26	145	11600
	100	32	143	14300
	120	40	145	17400
	150	50	145	21750
TF8H	150	60	145	22500
	180	60	145	26100
	200	66	145	29000

Notes: 1. Values shown are subject to ±5%~±8% tolerance. Efficacy and flux above refers to Ra70, CCT≥4000K. Efficacy of 3000K is 5% lower.

2. Efficacy of (B) 90° Aluminum Reflector version is equivalent to ([]) No Reflector version. Efficacy of (A) 60° Aluminum Reflector version is lower than (B) 90° Aluminum Reflector version by around 5%. Efficacy of (D) PC Reflector version is lower than ([]) No Reflector version by around 3%. Efficacy of (C) PC Reflector with Bottom version is lower than ([]) No Reflector version by around 15%.

TF8 Series

LED High Bay Light

Distributions

Reflector	Applicable Model	60 degree	
A	TF8B TF8C TF8D	Lens 2960/ 5760/ 5860	
	TF8F TF8G TF8H		
Reflector	Applicable Model	90 degree	
B	TF8B TF8C TF8D	Lens 2990/ 5790/ 2890	
	TF8F TF8G TF8H		
Reflector	Applicable Model	60 degree	90 degree
C	TF8B TF8C	Lens 2960/ 5760	Lens 2990/ 5790
Reflector	Applicable Model	60 degree	90 degree
D	TF8B TF8C	Lens 2960/ 5760	Lens 2990/ 5790

TF8 Series

LED High Bay Light

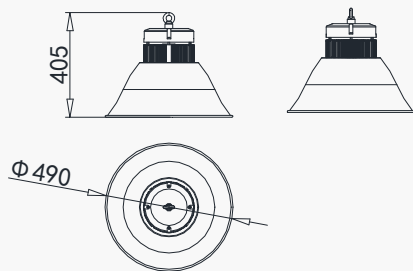
Dimensions

Model	A: 60° Aluminum Reflector			B: 90° Aluminum Reflector			C: PC Reflector with Bottom			D: PC Reflector			Hoisting Ring (mm)
	ΦD (mm)	H (mm)	N.W. (kg)	ΦD (mm)	H (mm)	N.W. (kg)	ΦD (mm)	H (mm)	N.W. (kg)	ΦD (mm)	H (mm)	N.W. (kg)	
TF8B	Φ 335	325	2.2	Φ 395	295	2.3	Φ 385	355	3.3	Φ 380	325	2.8	M10
TF8C	Φ 490	405	3.7	Φ 560	350	3.9	Φ 385	365	3.7	Φ 380	355	3.2	M10
TF8D	Φ 590	465	5.7	Φ 710	415	6.3	\	\	\	\	\	\	M10

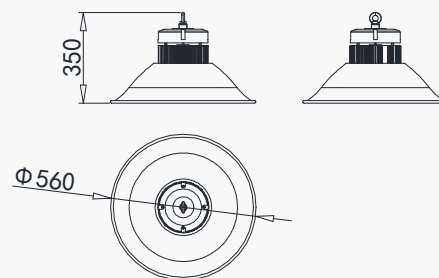
Model	[]: No Reflector			Hoisting Ring (mm)
	ΦD (mm)	H (mm)	N.W. (kg)	
TF8F	Φ 160	180	1.8	M10
TF8G	Φ 220	220	2.9	M10
TF8H	Φ 260	230	4.8	M10

Notes: Typical values of N.W. subject to tolerance of 5%. Dimensions values are subject to tolerance of ± 5mm.

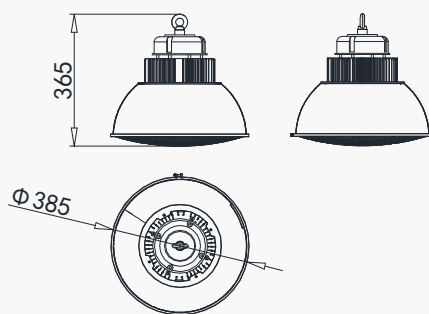
Reflector A



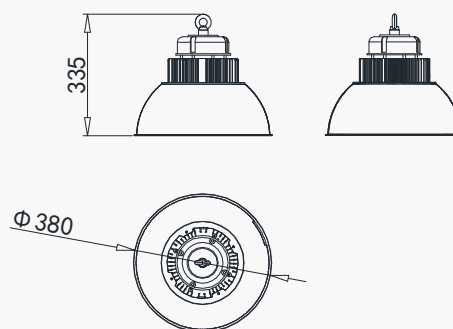
Reflector B



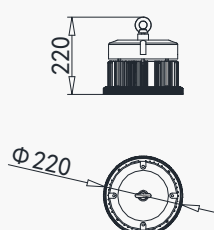
Reflector C



Reflector D



No Reflector []



TF8 Series

LED High Bay Light

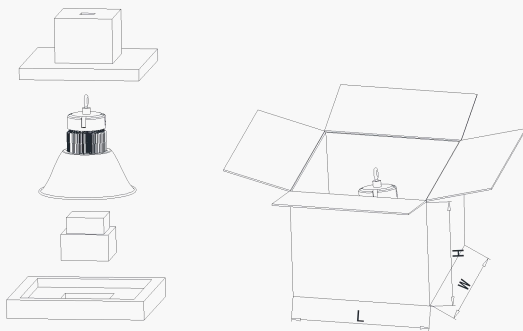
Package Information

Aluminum Reflector Version

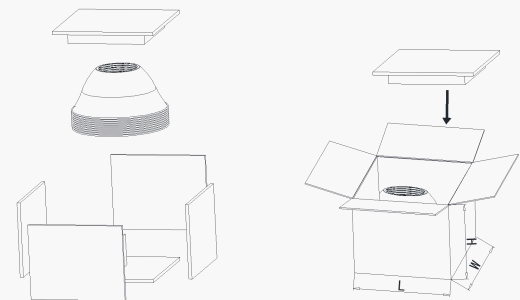
Model	Reflector	1. Whole-fixture Packing			2.1 Separate Packing - Lamp			2.2 Separate Packing – Reflector		
		L*W*H (mm)	PCS/CTN	G.W. (kg)	L*W*H (mm)	PCS/CTN	G.W. (kg)	L*W*H (mm)	PCS/CTN	G.W. (kg)
TF8B	A	425*425*415	1	3.7	325*230*215	1	2.4	390*390*345	10	5.5
	B	485*485*380	1	4.5	325*230*215	1	2.4	445*445*310	10	6.0
TF8C	A	580*580*485	1	6.5	300*300*275	1	3.8	540*540*420	10	11.5
	B	650*650*425	1	7.0	300*300*275	1	3.8	610*610*355	10	13.0
TF8D	A	680*680*535	1	9.5	365*365*275	1	6.0	640*640*455	10	12.0
	B	795*795*485	1	10.5	365*365*275	1	6.0	755*755*405	10	19.0

Notes: Typical values of G.W. subject to tolerance of 5%. Dimensions values are subject to tolerance of ± 5 mm.

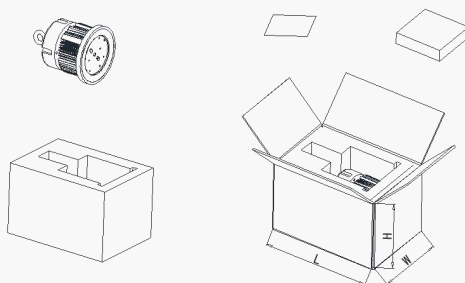
1. Whole-fixture Packing



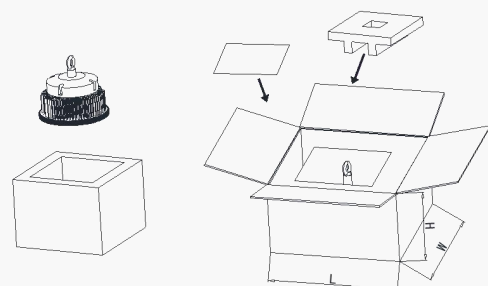
2.1 Separate Packing – Reflector



2.2 Separate Packing – Lamp TF8A/B



2.2 Separate Packing – Lamp TF8C/D



TF8 Series

LED High Bay Light

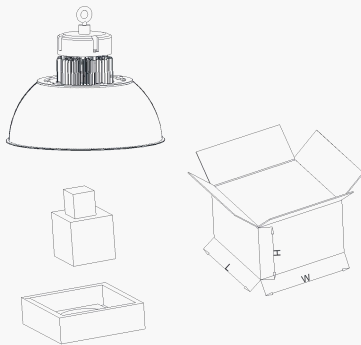
Package Information

PC Reflector Version

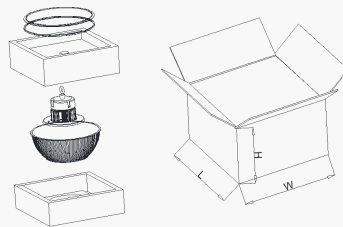
Model	Reflector	3. Whole-fixture Packing			4. Reflector Un-assembled Packing		
		L*W*H (mm)	PCS/CTN	G.W. (kg)	L*W*H (mm)	PCS/CTN	G.W. (kg)
TF8B	C	/	/	/	455x455x295	1	4.7
	D	480x480x410	1	4.6	455x455x260	1	4.0
TF8C	C	/	/	/	455x455x295	1	5.1
	D	480x480x410	1	5.0	455x455x260	1	4.1

Notes: Typical values of G.W. subject to tolerance of 5%. Dimensions values are subject to tolerance of ±5mm.

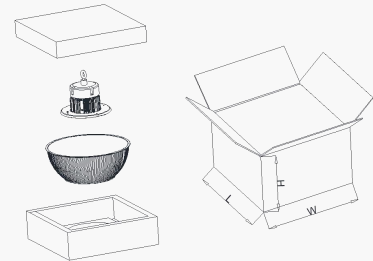
3. Whole-fixture Packing D



4. Reflector C Un-assembled Packing



4. Reflector D Un-assembled Packing

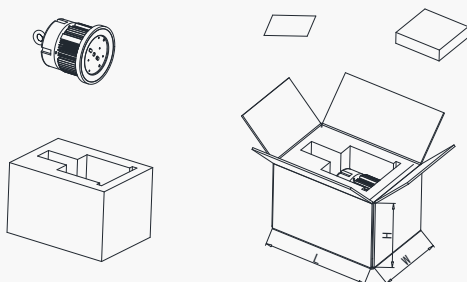


No Reflector Version

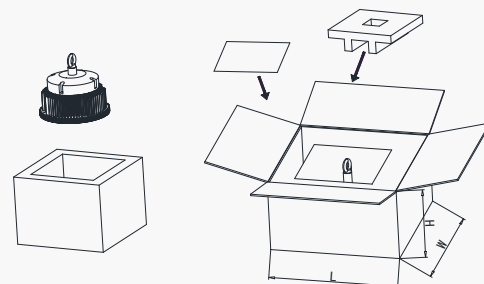
Model	Reflector	L*W*H (mm)	PCS/CTN	G.W. (kg)
TF8F	[]	325x230x215	1	2.4
TF8G	[]	300x300x275	1	3.8
TF8H	[]	365x365x275	1	6.0

Notes: Typical values of G.W. subject to tolerance of 5%. Dimensions values are subject to tolerance of ±5mm.

TF8F



TF8G/H



TF8 Series

LED High Bay Light

Version History

Change Date	Version	Description of Change		
		Item	From	To
2019/8/12	Ver3.0	New Version Datasheets release	/	International market version
2019/9/17	Ver3.1	Solutions adjustment		Remove TF8A and TF8E Add TF8C 60W and TF8D 150W
2019/12/30	Ver3.2	Added Surge Protection Level of power \leq 60W	/	4kV line-earth
		Added Luminaire IP Rating of PC Reflector with Bottom Version	/	IP20