

T1MAX

LED Street Light



Specifications

Input Voltage:	100 ~ 240Vac
Input Frequency:	50 / 60Hz
Power Factor (PF):	0.95
Surge Protection Level:	10kV line-earth
Operating Environment:	-40°C ~ +50°C, 10% ~ 90% RH
Color Temperature (CCT)*:	3000K, 4000K, 5000K, 5700K
Color Rendering Index (CRI):	≥70
Housing:	Die-cast Aluminum
IP Rating of LED Light Engine:	IP68
IP Rating of Luminaire:	IP66
Impact Protection Level:	IK08
Warranty:	5 Years Limited

Applications

- Roadway lighting
(Residential areas, overpasses, alleys...)
- Public areas lighting
(Theme parks, squares, parking lots...)

Features

Construction

- Die-cast aluminum housing.
- Unique patented IP68 (highest protection level) LED light engines.
- Whole structure heating dissipation design with best thermal conduction and radiation.
- Available in Class I and Class II options.

Control

- Sensor available (on/off).

Mounting

- Available to suit a \varnothing 60mm or \varnothing 40mm pole.

Finishing Colors

■ Gray □ White



T1MAX

LED Street Light

Ordering Information

Example: T1MAX-N1-40-BA-42-1211-7040-HPW-CM-WH

Luminary Type	Module Qty.	System Power	LEDs Type	Cable Type	Qty. of LEDs
T1MAX	N1 1pcs Integral LED module	20 20W 30 30W 40 40W	B 5050	A CCC+VDE C PSE H UL X OTHER	42 42pcs
Lens Code	CRI	CCT	LEDs Brand	Driver Brand	Housing Color
1211 Type I Short	60 Ra≥60 70 Ra≥70 80 Ra≥80 90 Ra≥90	30 3000K 40 4000K 50 5000K 57 5700K	HPW HPWINNER XX OTHER	CM CUSTOMIZATION	GY Gray WH White

Performance

Model	Power (W)	Efficacy (lm/W)	Lumens (lm)
T1MAX	20	185	3,700
	30	185	5,550
	40	182	7,280

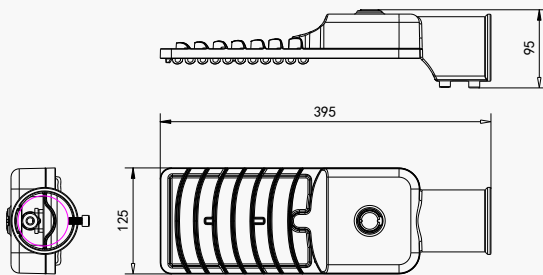
*Above values are calculated based on the product with CCT over 3000K, values of 3000K are 5% lower than above values.

*Values shown are subject to ±5%~±8% tolerance.

Dimensions

Model	L (mm)	W (mm)	H (mm)	Available Pole O.D. (mm)	Mounting Depth (mm)	N.W.* (kg)
T1MAX	395	125	95	Φ57~63	65	1.8
				Φ40~45	80	

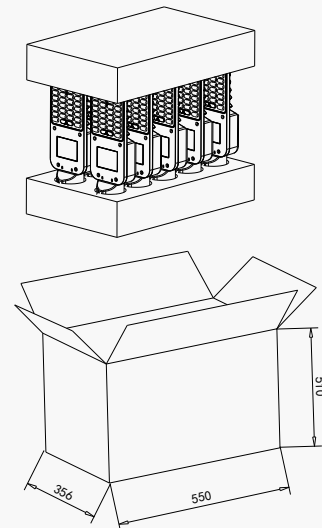
Note: Values shown are subject to ±5% tolerance.



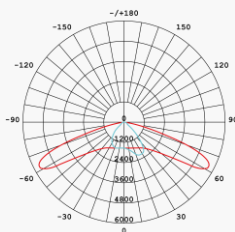
Package Information

Model	Description	L (mm)	W (mm)	H (mm)	G.W.* (kg)
T1MAX	10pcs/carton	550	356	510	19.5

Note: Values shown are subject to ±5% tolerance.



Distributions



T1S1211

Accessories



PA Series

Version History

Change Date	Version	Description of Change		
		Item	From	To
2023/03/21	Ver. 2.0	Datasheets release		

Phone: +86-571-88399635

Fax: +86-571-89971205

E-mail: sales@hpwin.com

http://www.hpwinner.com/