

LED Module

CK7A Series



Specification

Working Environment: -40°C~+50°C

Storage Temperature: -40°C~+50°C

Relative humidity: 10%~90%RH

IP Rating of LED Light Engine: IP68

Color Temperature (CCT): 3000K, 4000K, 5000K, 5700K

Main Material: Aluminum alloy 5052

Module N.W.: 0.180±0.009 kg

Note :

[1] Efficacy of 3000K is 5% lower than other CCTs.

[2] This module must be used for the luminaires with heat dissipation structures, shall not be used alone.

Features

- Customized LEDs from a world-leading supplier;
- Super long lifetime(Lumen maintenance);
- Wide applicability for complex situations;
- High versatility apply for all sorts of lamps retrofit.

Application

- Street lighting retrofit and application;
- Tunnel lighting retrofit and application;
- Garden lighting retrofit and application;
- Factory lighting retrofit and application;
- Outdoor lighting retrofit and application.

Ordering Information

For example: CK7A-XBH-34 -1385-7040-CM

Module Model	Interface	Dimension of LEDS	Wire Material	LED Qty	Lens Model	Ra & CCT	LED Brand
CK7A	X : Universal interface	B : 5050	A : CCC+VDE C : PSE H : UL X : Others	34 34PCS	1385 Type I Short 2387 Type III Medium 2381 110 DEG	7030 : Ra≥70, 3000K 8040 : Ra≥80, 4000K ...	CM : Customized XX : Others

Performance

Model	Lens code	System Power (W)	Driving current (mA)	Input voltage (Vdc)	System Efficacy (lm/W) with glass cover	Lumens (lm) with glass cover	System Efficacy(lm/W) without glass cover	Lumens (lm) without glass cover
CK7A	1385 / 2387	40	800	40~54	163	6520	176	7040
		50	1000	40~54	158	7900	172	8600
		60	1200	40~54	153	9180	167	10020
CK7A	2381	40	800	40~54	170	6800	182	7280
		50	1000	40~54	165	8250	177	8850
		60	1200	40~54	160	9600	172	10320

Note: 1. Power efficiency is 92%, all the data are typical values, ±5%~±8% tolerance;

2. Light efficacy of 3000K is 5% lower than other CCTs.

3. Cable default H type.

Dimensions

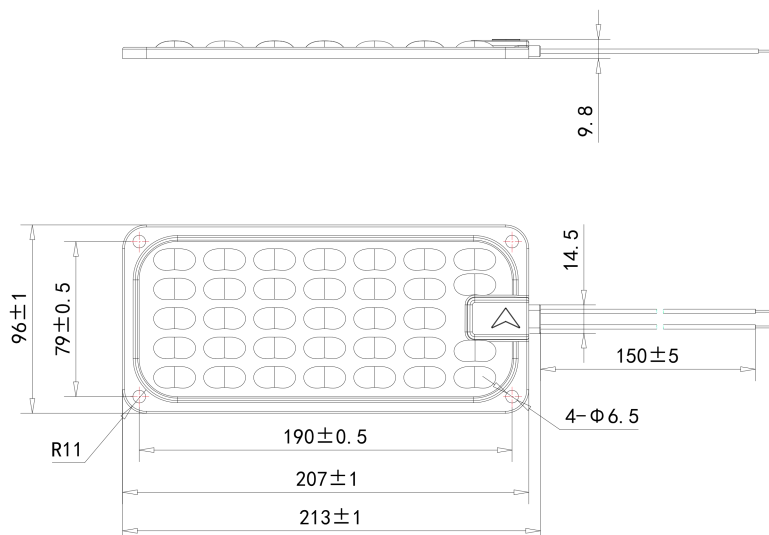
L (mm)	W (mm)	H (mm)
213	96	9.8

The height of the module is the maximum value.

Tolerance: ±0.5mm

Available lens code

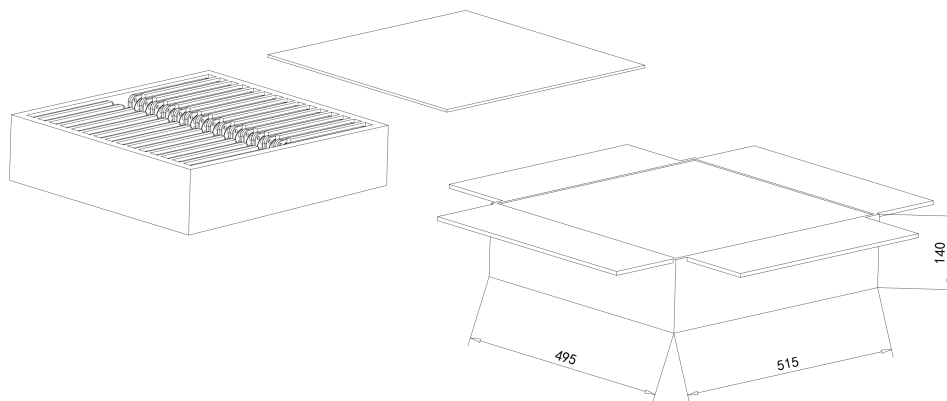
1385	2381
2387	



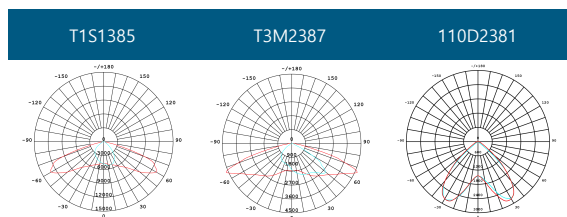
Package Information

L (mm)	W (mm)	H (mm)	Module pcs/carton (PCS)	Package weight (kg)
495	515	140	60	12.5

Note: Values shown are subject to ±5% tolerance.



Lighting distributions



Version History

Change Date	Version	Description of Change		
		Item	From	To
20210401	1.0	Data sheets release	/	/