

## LED Module CK7B Series



### Specification

**Working Environment:** -40°C~+50°C

**Storage Temperature:** -40°C~+50°C

**Relative humidity:** 10%~90%RH

**IP Rating of LED Light Engine:** IP68

**Color Temperature (CCT):** 3000K, 4000K, 5000K, 5700K

**Main Material:** Aluminum alloy 5052

**Module N.W.:** 0.160±0.008 kg

**Note :**

[1] Efficacy of 3000K is 5% lower than other CCTs.

[2] This module must be used for the luminaires with heat dissipation structures, shall not be used alone.

### Features

- Customized LEDs from a world-leading supplier;
- Super long lifetime(Lumen maintenance);
- Wide applicability for complex situations;
- High versatility apply for all sorts of lamps retrofit.

### Application

- Street lighting retrofit and application;
- Tunnel lighting retrofit and application;
- Garden lighting retrofit and application.

## Ordering Information

For example: CK7B-XBH-34-1384-7040-CM

| Module Model | Interface                      | Dimension of LEDS | Wire Material  | LED Qty         | Lens Model  | Ra & CCT   | LED Brand                                    |
|--------------|--------------------------------|-------------------|--|-----------------|---|--|--|
| CK7B         | <b>X</b> : Universal interface | <b>B</b> : 5050   | <b>A</b> : CCC+VDE<br><b>C</b> : PSE<br><b>H</b> : UL<br><b>X</b> : Others | <b>34</b> 34PCS | <b>1384</b> Type I Short<br><b>2386</b> Type II Short | <b>7030</b> : Ra≥70, 3000K<br><b>8040</b> : Ra≥80, 4000K<br>.. | <b>CM</b> : Customized<br><b>XX</b> : Others |

## Performance

| Model | System Power (W) | Driving current (mA) | Input voltage (Vdc) | System Efficacy (lm/W) with glass cover | Lumens (lm) with glass cover | System Efficacy without glass cover | Lumens (lm) without glass cover |
|-------|------------------|----------------------|---------------------|---|------------------------------|-------------------------------------|---------------------------------|
|       | CK7B             | 40                   | 800                 | 40~54                                   | 163                          | 6520                                | 176                             |
|       | 50               | 1000                 | 40~54               | 158                                     | 7900                         | 172                                 | 8600                            |
|       | 60               | 1200                 | 40~54               | 153                                     | 9180                         | 167                                 | 10020                           |

Note: 1. Power efficiency is 92%, all the data are typical values, ±5%~±8% tolerance;

2. Light efficacy of 3000K is 5% lower than other CCTs.

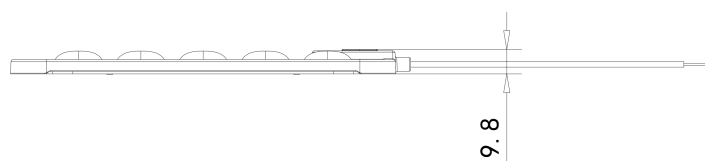
3. Cable default H type.

## Dimensions

| L (mm) | W (mm) | H (mm) |
|--------|--------|--------|
| 160.6  | 124.2  | 9.8    |

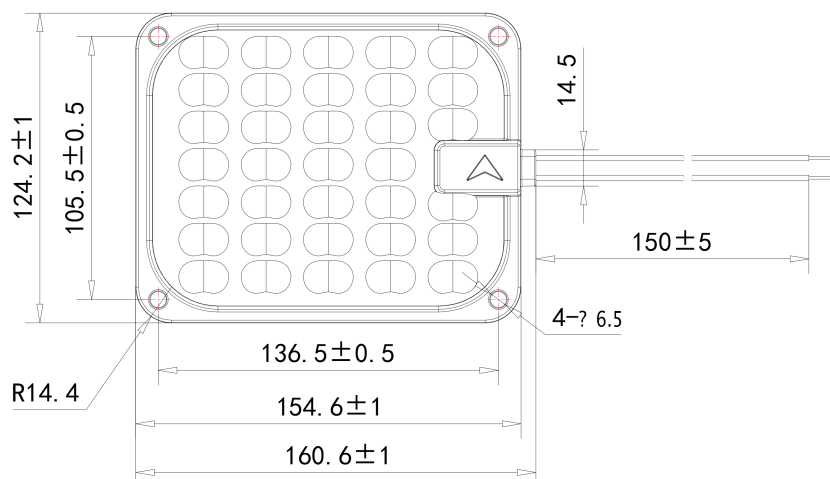
The height of the module is the maximum value.

Tolerance: ±0.5mm



### Available lens model

|      |      |
|------|------|
| 1384 | 2386 |
|------|------|



## Package Information

| L (mm) | W (mm) | H (mm) | Module pcs/carton (PCS) | Package weight (kg) |
|--------|--------|--------|-------------------------|---------------------|
|--------|--------|--------|-------------------------|---------------------|

495

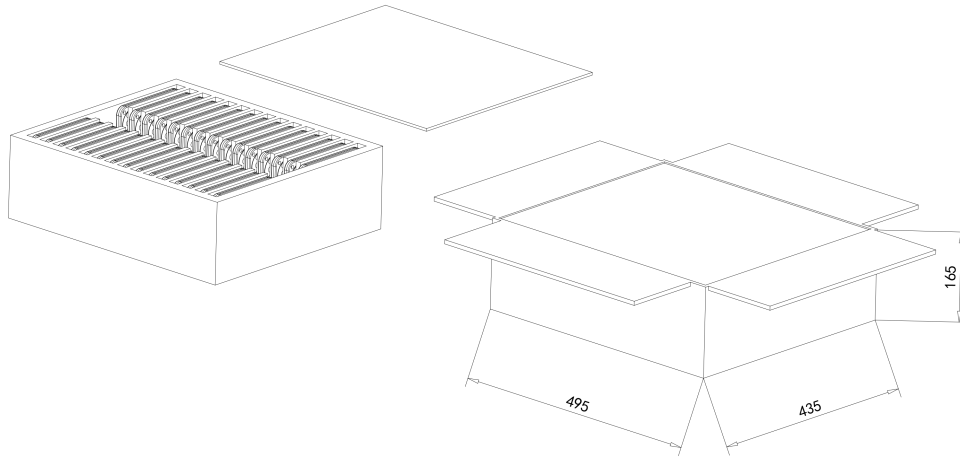
435

165

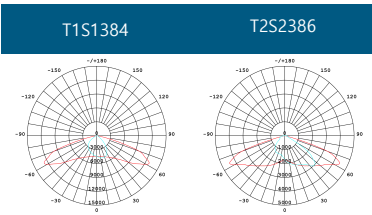
60

11.3

Values shown are subject to ±5% tolerance.



## Lighting distributions



## Version History

| Change Date | Version | Description of Change |      |    |
|-------------|---------|-----------------------|------|----|
|             |         | Item                  | From | To |
| 20210401    | 1.0     | Data sheets release   | /    | /  |