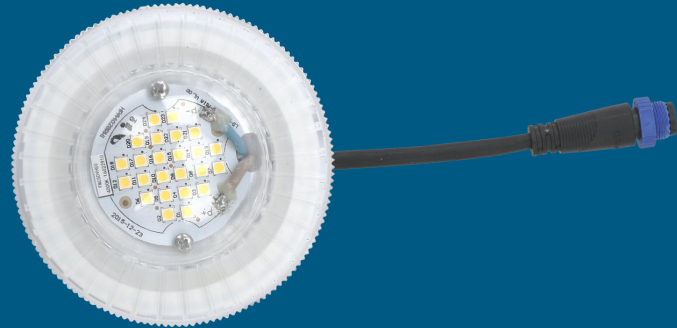


LED Module M11A Series



Specification

Working Environment: -40°C~+50°C

Storage Temperature: -40°C~+50°C

Relative humidity: 10%~90%RH

Typical value of pad temperature^[1]: 75°C

IP Rating of LED Light Engine: IP68

Color Temperature (CCT)^[2]: 3000K, 4000K, 5000K, 5700K

Main Material: Aluminum 1060

Module N.W.: 0.34±0.02 kg

Note:

[1] Typical values of pad temperature is obtained based on the test power 20W
with ambient temperature 25°C.

[2] Efficacy of 3000K is 5% lower than other CCTs.

Features

- Lumileds Luxeon 3030;
- Super long lifetime(Lumen maintenance);
- Wide applicability for complex situations;
- High versatility apply for all sorts of lamps retrofit.

Application

- Street lighting retrofit and application;
- Garden lighting retrofit and application;
- Tunnel lighting retrofit and application;

Ordering Information

For example: M11A-XCA-24 -5313-7040-LU

Module Model	Interface	Dimension of LEDs	Wire Material	LED Qty	Lens Model	Ra & CCT	LED Brand
M11A	X: Universal interface	C: 3030	A: CCC+VDE C: PSE H: UL X: Other	24 24PCS	5313 Lambert Type	7030: Ra≥70, 3000K 8040: Ra≥80, 4000K ...	LU: Lumileds SN: Sanan XX: Others

Performance

Model	Power (W)	Driving current (mA)	Input voltage (Vdc)	Efficacy (lm/W)	Lumens (lm)
M11A-XCA-24	20	750	22~27	115	2300

Note : Values shown are subject to ±5%~±8% tolerance; Cable default A type;

Efficacy above is based on calculated @90% power efficiency ; Light efficacy of 3000K is 5% lower than other CCTs.

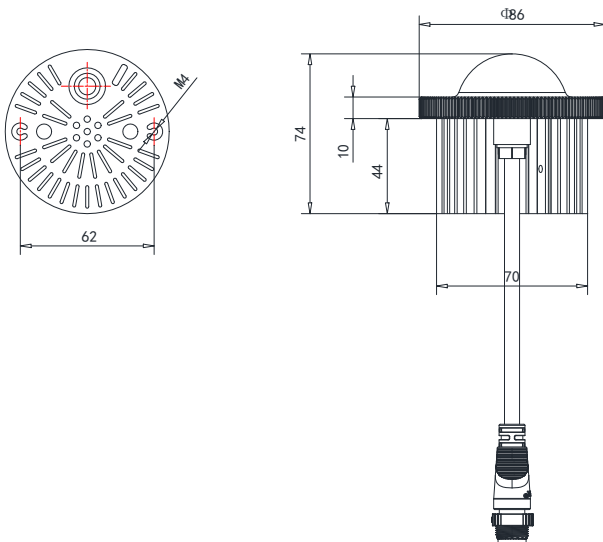
Package Information

Diameter (mm)	Height (mm)
Φ86	74

Tolerance: ±0.5mm

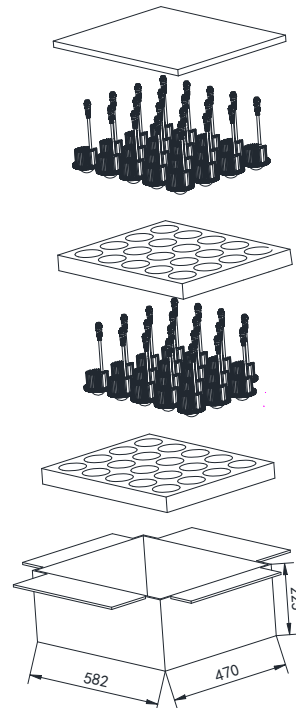
L (mm)	W (mm)	H (mm)	Module pcs/carton (PCS)	Package weight (kg)
582	470	225	40	10.0

Values shown are subject to ±5% tolerance.



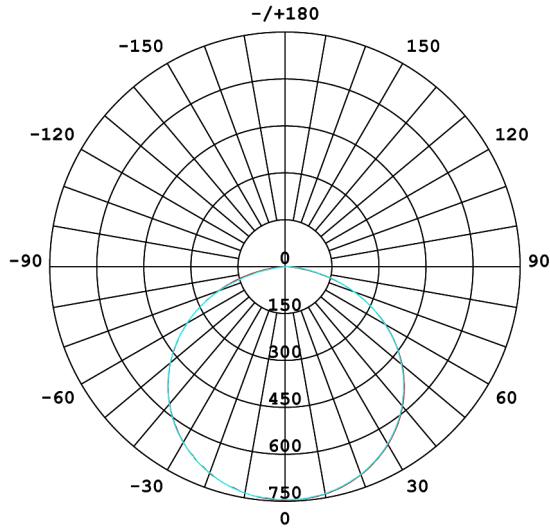
Available Lens Model

5313



Lighting distributions

LBN5313



Version History

Change Date	Version	Description of Change		
		Item	From	To
20180626	Ver2.0	Data sheets release (new version)	/	/
20190921	Ver2.1	Update of Company logo: Improvement of Light efficacy.		