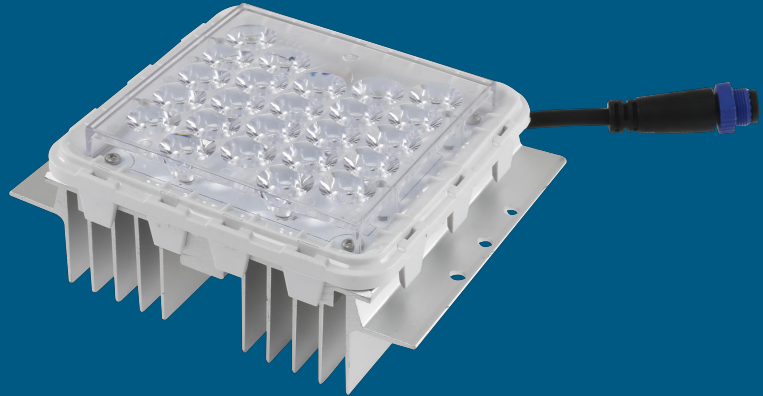


## LED Module M12A Series



### Specification

**Working Environment:** -40°C~+50°C

**Storage Temperature:** -40°C~+50°C

**Relative humidity:** 10%~90%RH

**Typical value of pad temperature<sup>[1]</sup>:** 75°C

**IP Rating of LED Light Engine:** IP68

**Color Temperature (CCT)<sup>[2]</sup>:** 3000K, 4000K, 5000K, 5700K

**Main Material:** Aluminum 6063

**Module N.W.:** 0.55±0.02 kg

**Note :**

[1] Typical values of pad temperature is obtained based on the test power 60W  
with ambient temperature 25°C.

[2] Efficacy of 3000K is 5% lower than other CCTs.

### Features

- Lumileds Luxeon T LED;
- Super long lifetime(Lumen maintenance);
- Multiple lighting distributions available;
- Wide applicability for complex situations;
- High versatility apply for all sorts of lamps retrofit.

### Application

- Street lighting retrofit and application;
- Garden lighting retrofit and application;
- Tunnel lighting retrofit and application.

## Ordering Information

For example: M12A-XAA-24-2012-7040-LU

Module Model	Interface	Dimension of LEDS	Wire Material	LED Qty	Lens Model	Ra & CCT	LED Brand
<b>M12A</b>	<b>X:</b> Universal interface	<b>A:</b> 3535	<b>A:</b> CCC+VDE	<b>24</b> 24PCS	<b>2012</b> 12 DEG	<b>7030:</b> Ra≥70, 3000K	<b>LU:</b> Lumileds
			<b>C:</b> PSE		<b>2318</b> Sport lighting	<b>8040:</b> Ra≥80, 4000K	<b>NI:</b> Nichia
			<b>H:</b> UL			...	<b>XX:</b> Others
			<b>X:</b> Others				

## Performance

Model	Power (W)	Driving current (mA)	Input voltage (Vdc)	Efficacy (lm/W)	Lumens (lm)
M12A-XAA	40	550	63~81	135	5400
M12A-XAA	50	650	63~81	130	6500
M12A-XAA	60	800	63~81	125	7500

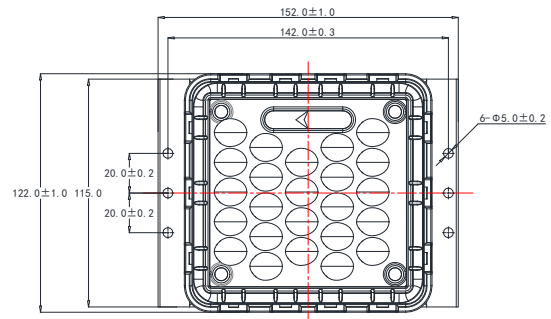
Note : Values shown are subject to ±5%~±8% tolerance; Cable default A type;  
Efficacy above is based on calculated @92% power efficiency ; Light efficacy of 3000K is 5% lower than other CCTs.

## Dimensions

L (mm)	W (mm)	H (mm)
152	122	Max59

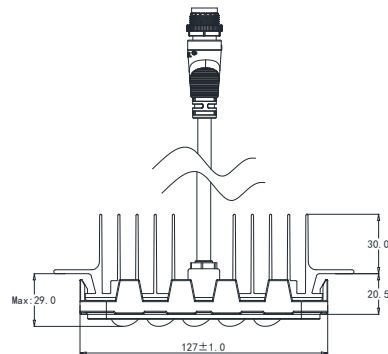
The height of the module is the maximum value.

Tolerance: ±0.5mm



### Available Lens Model

2318

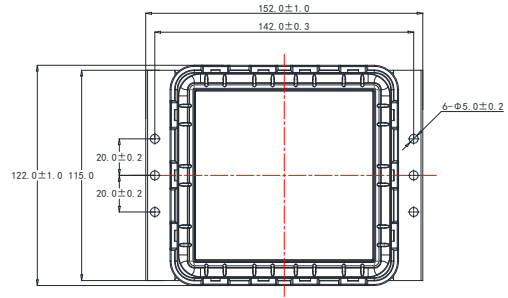


## Dimensions

L (mm)	W (mm)	H (mm)
--------	--------	--------

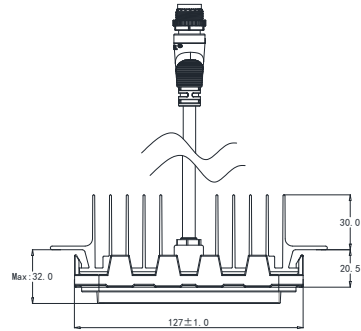
152                  122                  62

Tolerance: ±0.5mm



### Available Lens Model

2012

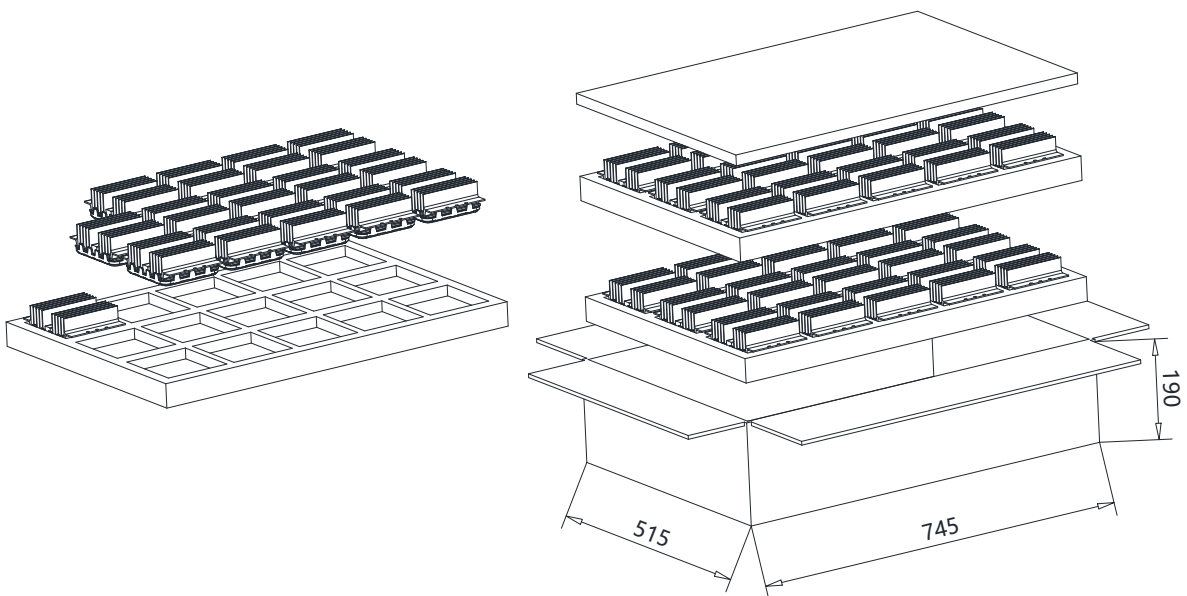


## Package Information

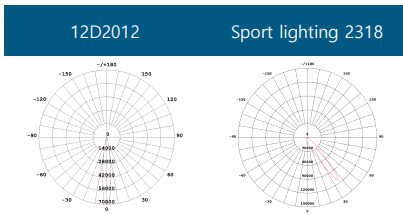
L (mm)	W (mm)	H (mm)	Module pcs/carton (PCS)	Package weight (kg)
--------	--------	--------	-------------------------	---------------------

745                  515                  190                  30                  17.7

Values shown are subject to ±5% tolerance.



## Lighting distributions



## Matching table of M12A modules connection

2pcs modules	3 pcs modules	4pcs modules
Connectors for 2pcs M12A modules	Connectors for 3pcs M12A modules	Connectors for 4pcs M12A modules

## Version History

Change Date	Version	Description of Change		
		Item	From	To
20190702	Ver2.0	Data sheets release (new version)	/	/
20200814	Ver2.1	Add the matching table of M12A modules connection	/	/
20210420	Ver2.2	Delete Lens 2319,2390,2316,2323	/	/