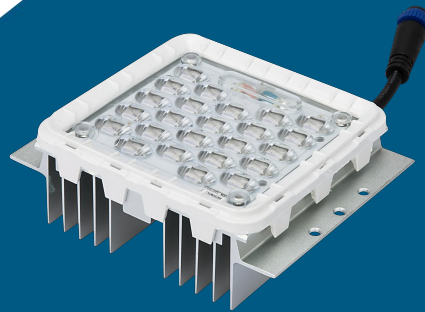
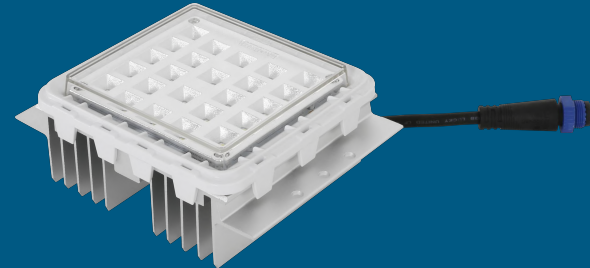


LED Module M12A Series



Lens Type



Reflector Type

Specification

Working Environment: -40°C~+50°C

Storage Temperature: -40°C~+50°C

Relative humidity: 10%~90%RH

Typical value of pad temperature^[1]: 65°C

IP Rating of LED Light Engine: IP68

Color Temperature (CCT)^[2]: 3000K, 4000K, 5000K, 5700K

Main Material: Aluminum 6063

Module N.W.: 0.55±0.02 kg

Note :

[1] Typical values of pad temperature is obtained based on ambient temperature of 25°C.

[2] Efficacy of 3000K is 5% lower than other CCTs.

Features

- Customized LEDs from a world-leading supplier;
- Super long lifetime(Lumen maintenance);
- Multiple lighting distributions available;
- Wide applicability for complex situations;
- High versatility apply for all sorts of lamps retrofit.

Application

- Street lighting retrofit and application;
- Garden lighting retrofit and application;
- Tunnel lighting retrofit and application;
- Flood lighting retrofit and application;
- High bay lighting retrofit and application.

Ordering Information

For example: M12A-XBA-24 -2210-7040-CM

Module Model	Interface	Dimension of		Wire Material	LED Qty	Lens Model / Reflector Type		CCT	LED Brand
		LEDS							
M12A	X: Universal interface	B: 5050	A: CCC +VDE	18 18PCS	2210 Type II Short	2314 Flat lens	7030: Ra≥70, 3000K	CM: Customized XX: Others	
			C: PSE	24 24PCS	2219 Type II Medium	2511 60X60 DEG	8040: Ra≥80, 4000K		
			H: UL		2240 Type III Medium	2512 80X80 DEG	...		
			X: Others		2225 25 DEG	2513 80X50 EGD			
					2260 60 DEG				
				2290 90 DEG					

Performance

Lens type

Model	Power (W)	Driving current (mA)	Input voltage (Vdc)	18 pcs		24 pcs	
				Efficacy (lm/W)	Lumens (lm)	Efficacy (lm/W)	Lumens (lm)
M12A-XBA	30	600	40~54	165	4950	175	5250
M12A-XBA	40	800	40~54	160	6400	170	6800
M12A-XBA	50	1000	40~54	150	7500	165	8250
M12A-XBA	60	1200	40~54	140	8400	157	9420

Note : Values shown are subject to ±5%~±8% tolerance; Cable default A type;

Efficacy above is based on calculated @92% power efficiency ; Light efficacy of 3000K is 5% lower than other CCTs.

Reflector type

Model	Power (W)	Driving current (mA)	Input voltage (Vdc)	24 pcs	
				Efficacy (lm/W)	Lumens (lm)
M12A-XBA	40	800	40~54	163	6520
M12A-XBA	50	1000	40~54	157	7850
M12A-XBA	60	1200	40~54	150	9000

Note : Values shown are subject to ±5%~±8% tolerance; Cable default A type;

Efficacy above is based on calculated @92% power efficiency ; Light efficacy of 3000K is 5% lower than other CCTs.

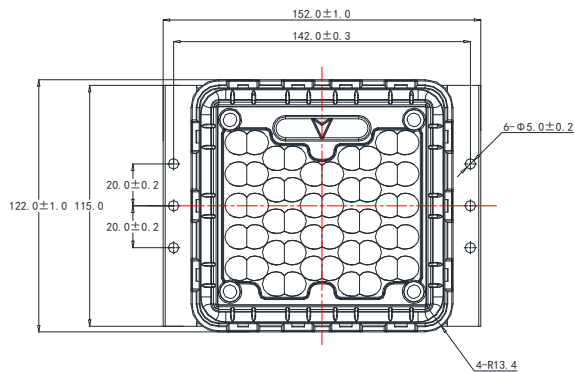
Dimensions

Lens type

L (mm)	W (mm)	H (mm)
152	122	Max59

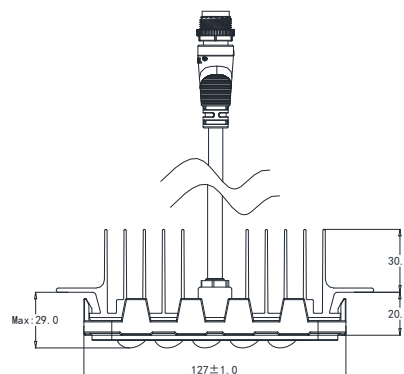
The height of the module is the maximum value.

Tolerance: $\pm 0.5\text{mm}$



Available Lens Model

2210	2240	2219
------	------	------

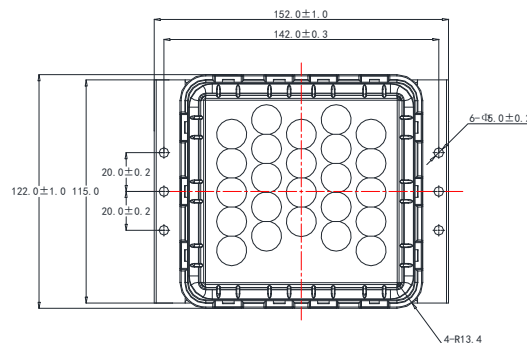


Lens type

L (mm)	W (mm)	H (mm)
152	122	max62

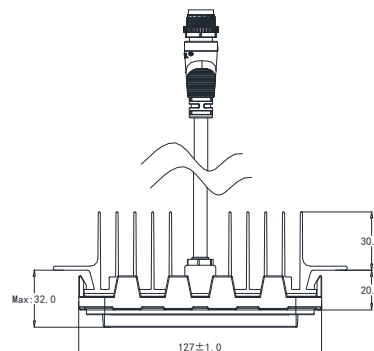
The height of the module is the maximum value.

Tolerance: $\pm 0.5\text{mm}$



Available Lens Model

2216	2225
2260	2290

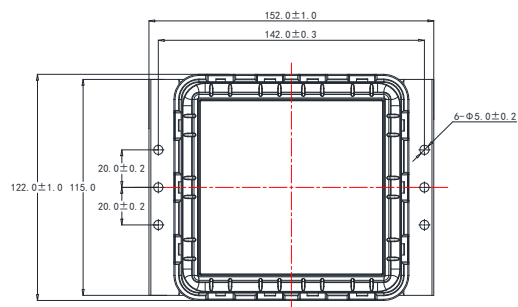


Dimensions

Reflector type

L (mm)	W (mm)	H (mm)
152	122	60

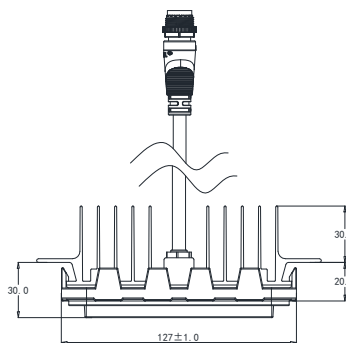
Tolerance: $\pm 0.5\text{mm}$



Available Lens Model

2314	2511
2512	2513

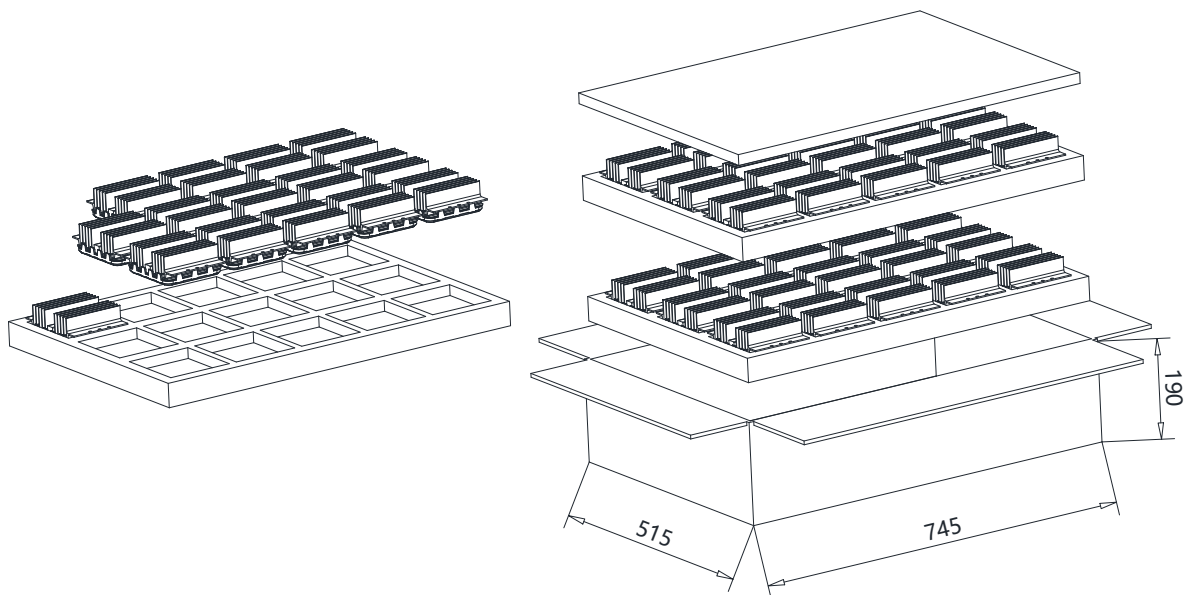
Note: 2314 lens must be used with other three types of lens.



Package Information

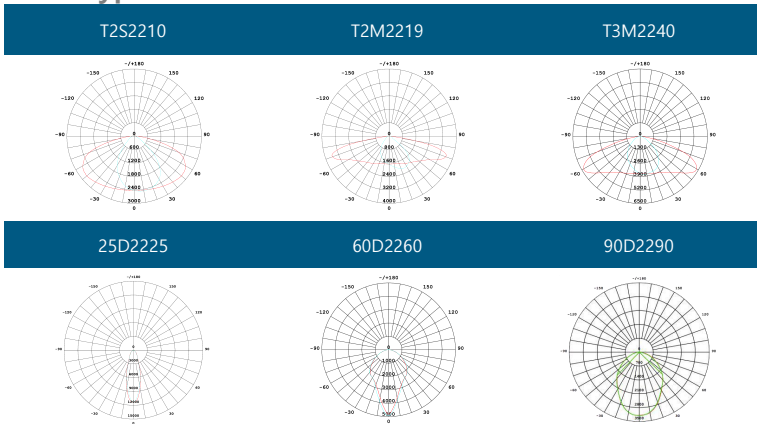
L (mm)	W (mm)	H (mm)	Module pcs/carton (PCS)	Package weight (kg)
745	515	190	30	17.7

Values shown are subject to $\pm 5\%$ tolerance.

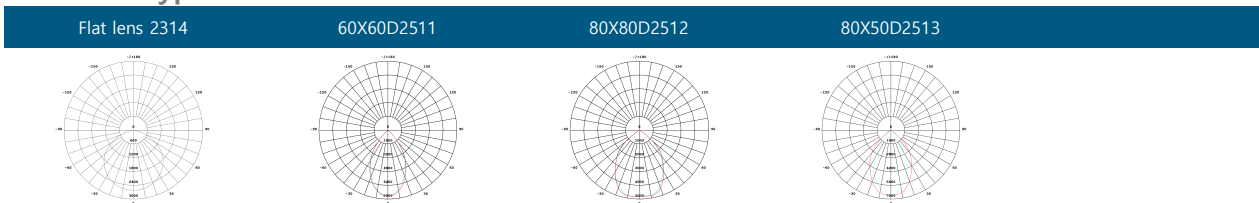


Lighting distributions

Lens type



Reflector type



Note: 2314 lens must be used with other three types of lens.

Matching table of M12A modules connection

2pcs modules	3 pcs modules	4pcs modules
Connectors for 2pcs M12A modules	Connectors for 3pcs M12A modules	Connectors for 4pcs M12A modules
		

Version History

Change Date	Version	Description of Change		
		Item	From	To
20190702	Ver2.0	Data sheets release (new version)	/	/
20190929	Ver2.1	Delete 2216 lens		
20200814	Ver2.2	1. Add the matching table of M12A modules connection 2. Delete 14pcs LEDS solution	/	/