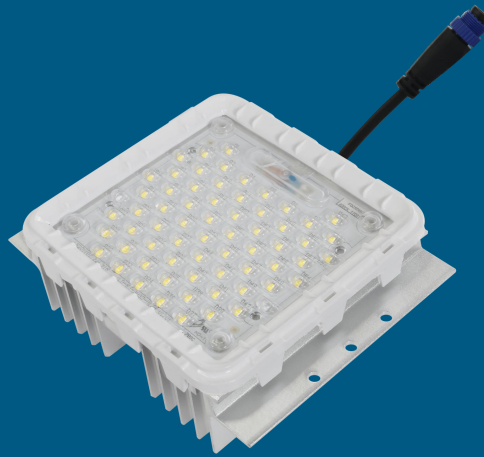


LED Module M12A Series



Specification

Working Environment: -40°C~+50°C

Storage Temperature: -40°C~+50°C

Relative humidity: 10%~90%RH

Typical value of pad temperature^[1]: 75°C

IP Rating of LED Light Engine: IP68

Color Temperature (CCT)^[2]: 3000K, 4000K, 5000K, 5700K

Main Material: Aluminum 6063

Module N.W.: 0.55±0.02 kg

Note :

[1] Typical values of pad temperature is obtained based on ambient temperature of 25°C.

[2] Efficacy of 3000K is 5% lower than other CCTs.

Features

- Lumileds Luxeon 3030;
- Super long lifetime(Lumen maintenance);
- Multiple lighting distributions available;
- Wide applicability for complex situations;
- High versatility apply for all sorts of lamps retrofit.

Application

- Street lighting retrofit and application;
- Garden lighting retrofit and application;
- Tunnel lighting retrofit and application.

Ordering Information

For example: M12A-XCA-63 -2213-7040-LU

| Module Model | Interface | Dimension of LEDS | Wire Material | LED Qty | Lens Model | Ra & CCT | LED Brand |
|--------------|-------------------------------|-------------------|-------------------|-----------------|--------------------------|---------------------------|---------------------|
| M12A | X: Universal interface | C: 3030 | A: CCC+VDE | 35 35PCS | 2213 Type I Short | 7030: Ra≥70, 3000K | LU: Lumileds |
| | | | C: PSE | 45 45PCS | 2214 Lambert Type | 8040: Ra≥80, 4000K | SN: Sanan |
| | | | H: UL | 49 49PCS | | ... | XX: Others |
| | | | X: Others | 63 63PCS | | | |

Performance

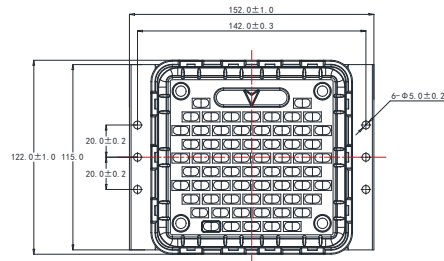
| Model | Power (W) | Driving current (mA) | Input voltage (Vdc) | Efficacy (lm/W) | Lumens (lm) |
|-------------|-----------|----------------------|---------------------|-----------------|-------------|
| M12A-XCA-35 | 30 | 700 | 38~48 | 127 | 3810 |
| M12A-XCA-45 | 40 | 700 | 48~61 | 127 | 5080 |
| M12A-XCA-63 | 40 | 700 | 48~61 | 140 | 5600 |
| M12A-XCA-49 | 50 | 1050 | 38~48 | 127 | 6350 |
| M12A-XCA-63 | 50 | 860 | 48~61 | 135 | 6750 |
| M12A-XCA-63 | 60 | 1050 | 48~61 | 127 | 7620 |

Note : Values shown are subject to ±5%~±8% tolerance; Cable default A type;
Efficacy above is based on calculated @92% power efficiency ; Light efficacy of 3000K is 5% lower than other CCTs.

Dimensions

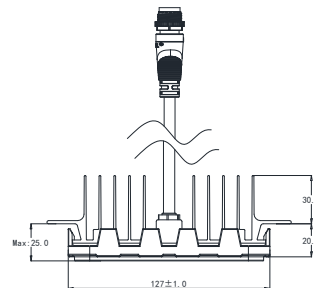
| L (mm) | W (mm) | H (mm) |
|--------|--------|--------|
| 152 | 122 | 55 |

Tolerance: ±0.5mm



Available Lens Model

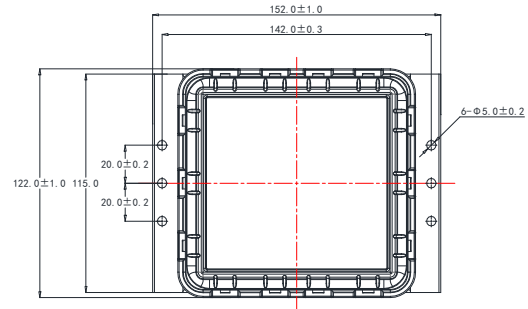
2213



Dimensions

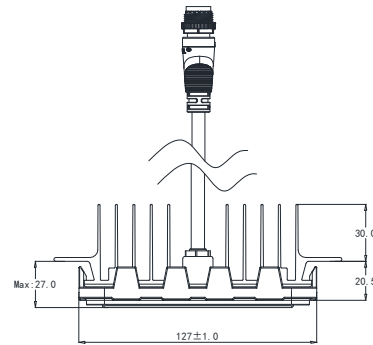
| L (mm) | W (mm) | H (mm) |
|--------|--------|--------|
| 152 | 122 | 57 |

Tolerance: $\pm 0.5\text{mm}$



Available Lens Model

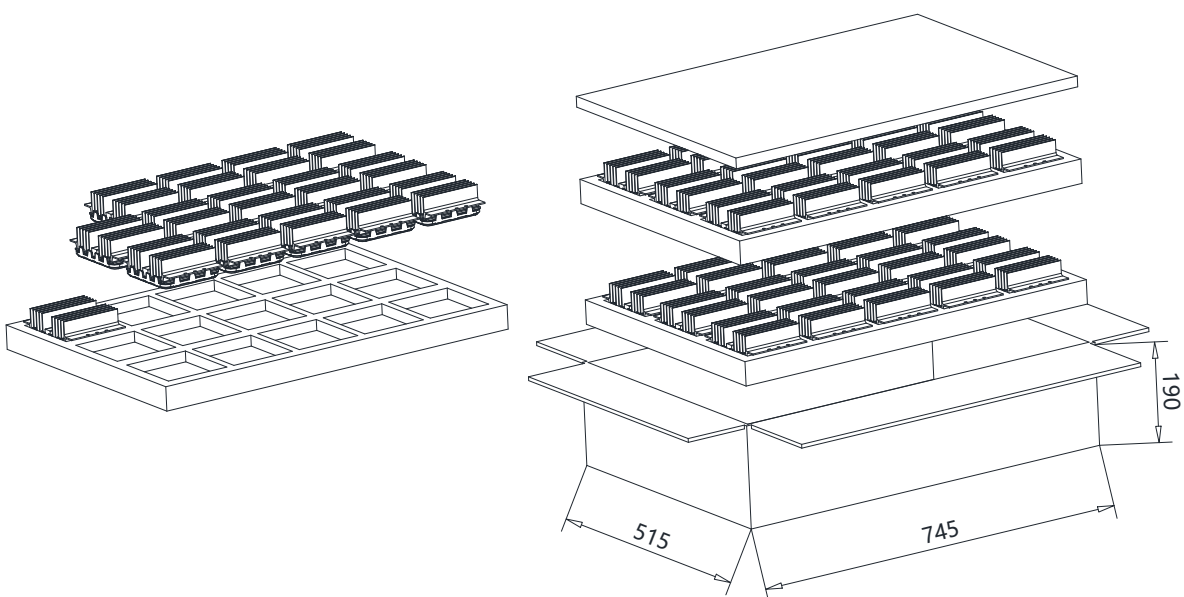
2214



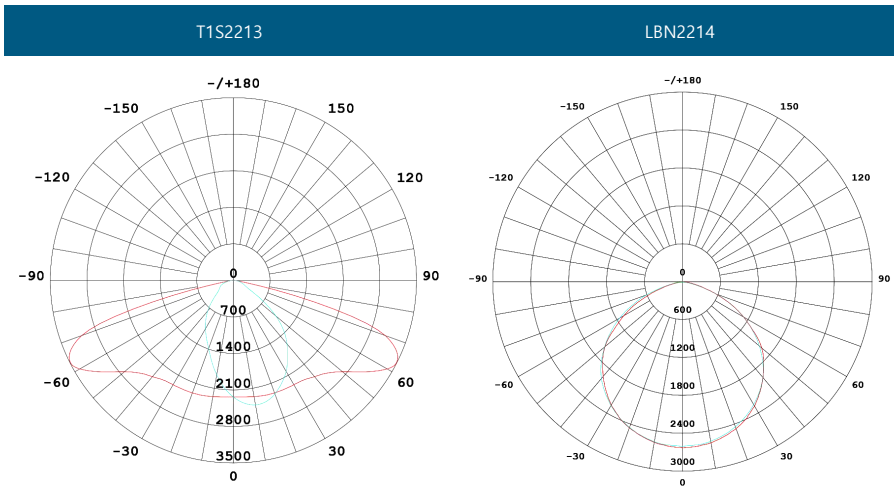
Package Information

| L (mm) | W (mm) | H (mm) | Module pcs/carton (PCS) | Package weight (kg) |
|--------|--------|--------|-------------------------|---------------------|
| 745 | 515 | 190 | 30 | 17.7 |

Values shown are subject to $\pm 5\%$ tolerance



Lighting distributions



Matching table of M12A modules connection

| 2pcs modules | 3 pcs modules | 4pcs modules |
|---|---|---|
| Connectors for 2pcs M12A modules | Connectors for 3pcs M12A modules | Connectors for 4pcs M12A modules |
|  |  |  |

Version History

| Change Date | Version | Description of Change | | |
|-------------|---------|---|------|----|
| | | Item | From | To |
| 20190702 | Ver2.0 | Data sheets release (new version) | / | / |
| 20200814 | Ver2.1 | Add the matching table of M12A modules connection | / | / |