

LED Module M15C Series



Specification

Working Environment: -40°C~+45°C

Storage Temperature: -40°C~+50°C

Relative humidity: 10%~90%RH

Typical value of pad temperature^[1]: 70°C

IP Rating of LED Light Engine: IP68

Color Temperature (CCT)^[2]: 3000K, 4000K, 5000K, 5700K

Main Material: Aluminum 1070

Module N.W.: 1.50±0.08 kg

Note :

[1] Typical values of pad temperature is obtained based on ambient temperature of 25°C with 150w.

[2] Efficacy of 3000K is 5% lower than other CCTs.

Features

- Customized LEDs from a world-leading supplier;
- Super long lifetime(Lumen maintenance);
- Wide applicability for complex situations;
- High versatility apply for all sorts of lamps retrofit.

Application

- High bay lighting retrofit and application.
- Garden lighting retrofit and application;

Ordering Information

For example: M15C-XBA-24-5760-7040-CM

Module Model	Interface	Dimension of LEDS	Wire Material	LED Qty	Lens Model	Ra&CCT	LED Brand
M15C	X: Universal interface	B: 5050	A: CCC +VDE	24 24PCS	5760 60 DEG	7030: Ra≥70, 3000K	CM: Customized
			C: PSE	26 26PCS	5790 90 DEG	8040: Ra≥80, 4000K	
			H: UL	32 32PCS		...	
			X: Others	36 36PCS			
				40 40PCS			
				44 44PCS			
				50 50PCS			

Performance

Model	Power (W)	Driving current (mA)	Input voltage (Vdc)	Efficacy (lm/W)	Lumens (lm)
M15C-XBA-24	60	1200	40~54	150	9000
M15C-XBA-26	80	1600	40~54	145	11600
M15C-XBA-36	80	1600	40~54	160	12800
M15C-XBA-32	100	2000	40~54	143	14300
M15C-XBA-44	100	2000	40~54	160	16000
M15C-XBA-40	120	2400	40~54	145	17400
M15C-XBA-50	120	2400	40~54	155	18600
M15C-XBA-50	150	3000	40~54	145	21750

Note : Values shown are subject to ±5%~±8% tolerance; Cable default A type;

Efficacy above is based on calculated @92% power efficiency ; Light efficacy of 3000K is 5% lower than other CCTs.

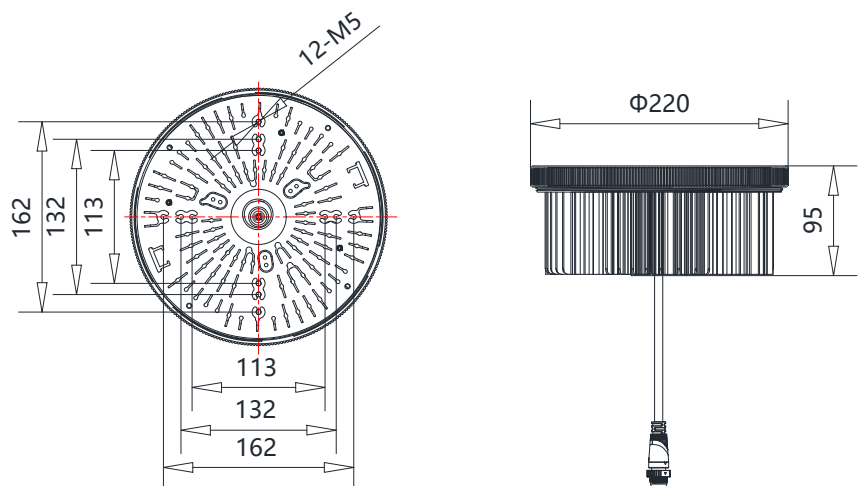
Dimensions

Diameter (mm)	H (mm)
Φ220	95

Tolerance: ±0.5mm

Available Lens Model

5760	5790
------	------

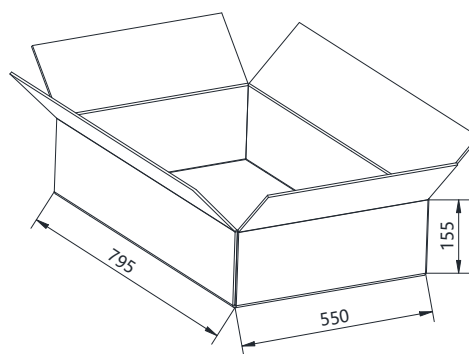
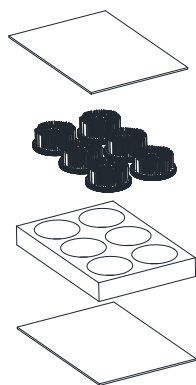


Package Information

L (mm)	W (mm)	H (mm)	Module pcs/carton (PCS)	Package weight (kg)
--------	--------	--------	-------------------------	---------------------

795	550	155	6	11.8
-----	-----	-----	---	------

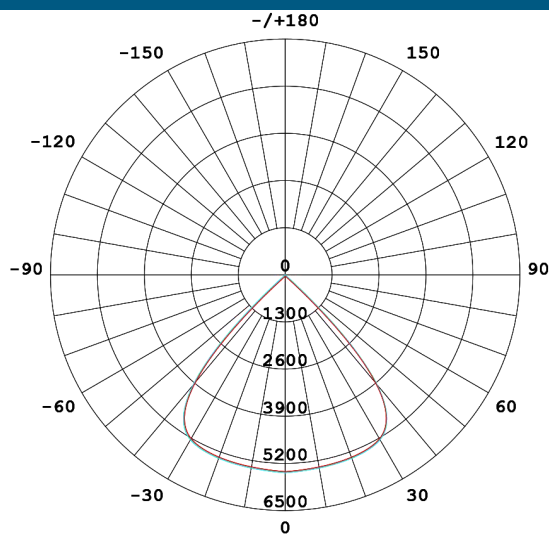
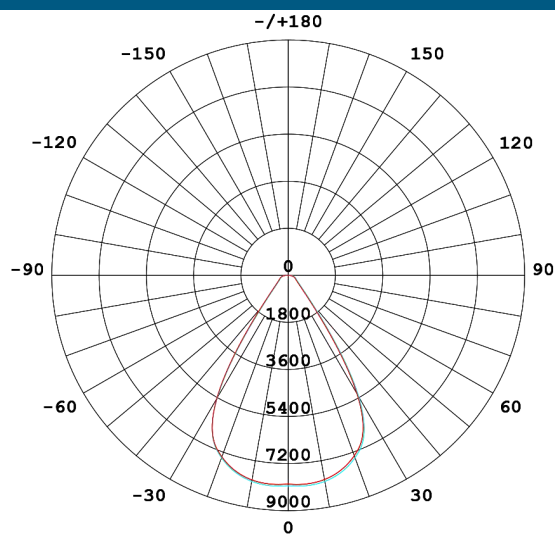
Values shown are subject to $\pm 5\%$ tolerance.



Lighting distributions

60D5760

90D5790



Version History

Change Date	Version	Description of Change		
		Item	From	To
20190905	Ver2.1	Data sheets release (new version)	/	/