

LED Module

M18A

Series



Specification

Working Environment: -40°C~+50°C

Storage Temperature: -40°C~+50°C

Relative humidity: 10%~90%RH

Typical value of pad temperature^[1]: 60°C

IP Rating of LED Light Engine: IP68

Color Temperature (CCT)^[2]: 3000K, 4000K, 5000K, 5700K

Main Material: Die-cast aluminum ADC12

Module N.W.: 0.34±0.02 kg

Note :

[1] Typical values of pad temperature is obtained based on 30W with a ambient temperature of 25°C.

[2] Efficacy of 3000K is 5% lower than other CCTs.

Features

- Customized LEDs from a world-leading supplier;
- Super long lifetime(Lumen maintenance);
- Multiple lighting distributions available;
- Wide applicability for complex situations;
- High versatility apply for all sorts of lamps retrofit.

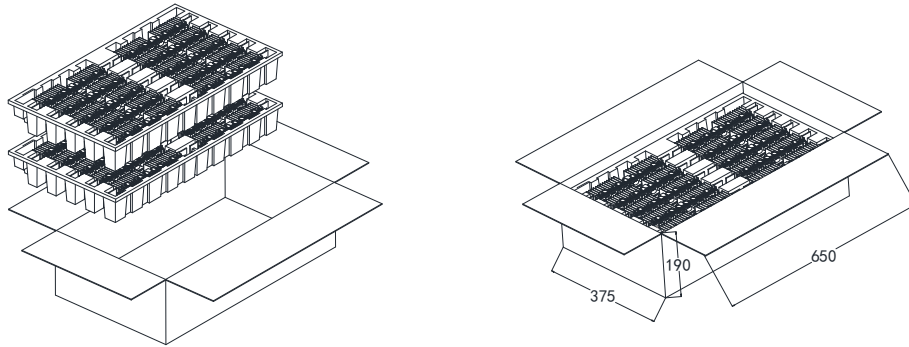
Application

- Street lighting retrofit and application;
- Factory lighting retrofit and application;
- Tunnel lighting retrofit and application;

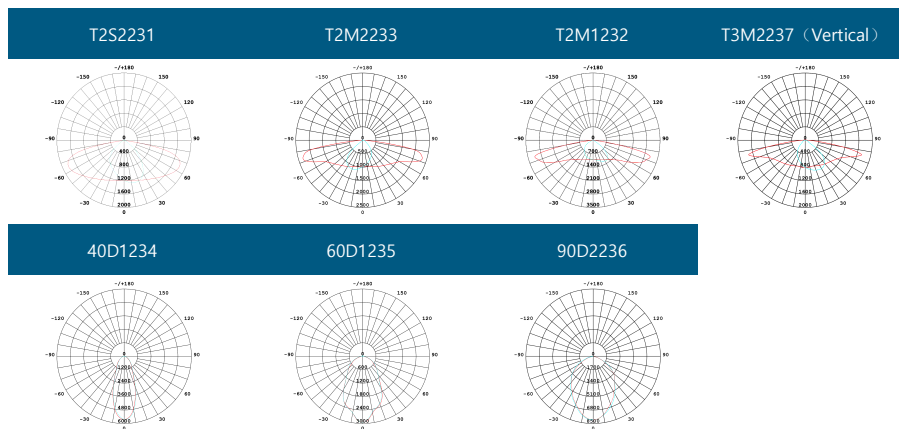
Package Information

L (mm)	W (mm)	H (mm)	Module pcs/carton (PCS)	Package weight (kg)
650	375	190	20	7.8

Values shown are subject to $\pm 5\%$ tolerance.



Lighting distributions



Version History

Change Date	Version	Description of Change		
		Item	From	To
20190922	Ver2.0	Data sheets release (new version)	/	/
20210603	Ver2.1	Power optimization	/	/