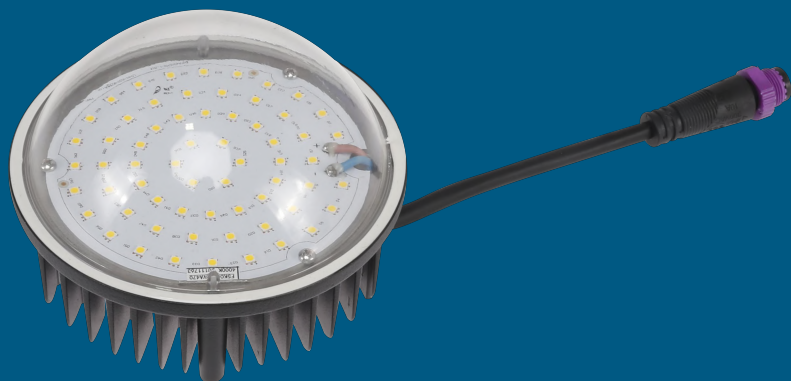


LED Module M23D Series



Specification

Working Environment: -40°C~+50°C

Storage Temperature: -40°C~+50°C

Relative humidity: 10%~90%RH

Typical value of pad temperature^[1]: 75°C

IP Rating of LED Light Engine: IP68

Color Temperature (CCT)^[2]: 3000K, 4000K, 5000K, 5700K

Main Material: Die-cast aluminum ADC12

Module N.W.: 0.46±0.03 kg

[1] Typical values of pad temperature is obtained based on ambient temperature of 25°C. 30W

[2] Efficacy of 3000K is 5% lower than other CCTs.

[3] After special treatment, the module can be used in coastal areas, high ultraviolet areas and other special environments. If you want to use the modules in these environments, please contact HPWINNR sales for more information.

Features

- Lumileds Luxeon 3030;
- Super long lifetime(Lumen maintenance);
- Wide applicability for complex situations;
- High versatility apply for all sorts of lamps retrofit;
- High quality surface treatment.^[3]

Application

- Garden lighting retrofit and application;
- Landscape lighting retrofit and application.

Ordering Information

For example: M23D-XCA-63-2337-7040-SN

Module Model	Interface	Dimension of LEDS	Wire Material	LED Qty	Lens Model	Ra & CCT	LED Brand
M23D	X: Universal interface	C: 3030	A: CCC+VDE	63 63PCS	2337 Lambert Type	7030: Ra≥70, 3000K 8040: Ra≥80, 4000K ...	LU: Lumileds
			C: PSE				SN: Sanan
			H: UL				XX: Others
			X: Others				

Performance

Model	Power (W)	Driving current (mA)	Input voltage (Vdc)	Efficacy (lm/W)	Lumens (lm)
M23D-XCA-63	60	1000	51~59	120	7200

Note : Values shown are subject to ±5%~±8% tolerance; Cable default A type;

Efficacy above is based on calculated @92% power efficiency ; Light efficacy of 3000K is 5% lower than other CCTs.

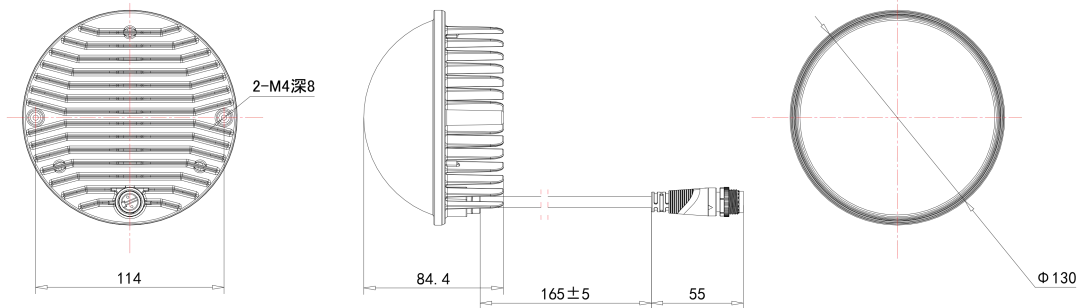
Dimensions

Diameter (mm)	Height (mm)
Φ130	84.4

Tolerance: ±0.5mm

Available lens code

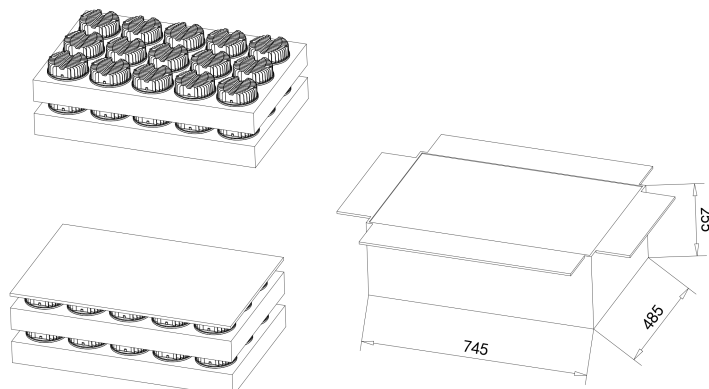
2337



Package Information

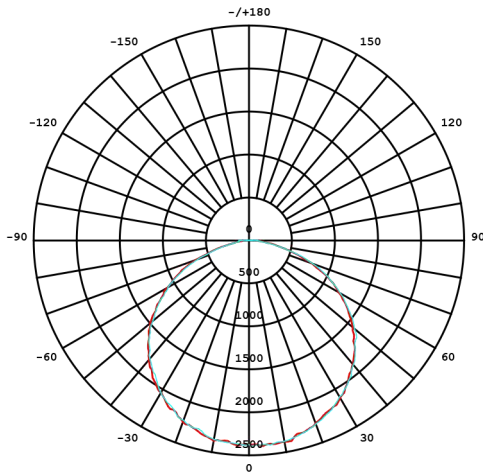
L (mm)	W (mm)	H (mm)	Module pcs/carton (PCS)	Package weight (kg)
745	485	255	30	15.3

Values shown are subject to ±5% tolerance.



Lighting distributions

LBN2337



Version History

Change Date	Version	Description of Change		
		Item	From	To
20210111	Ver1.0	Data sheets release (new version)	/	/