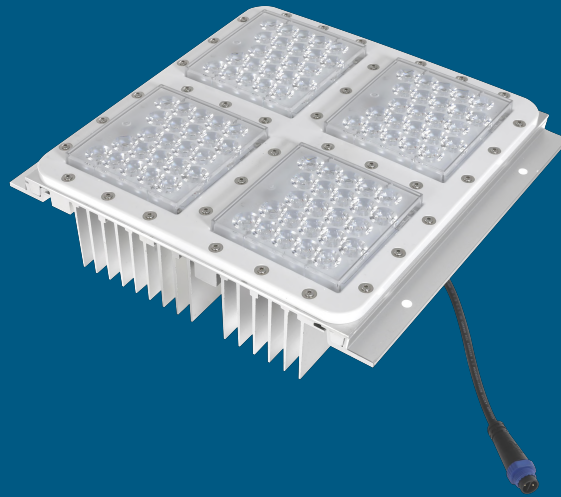


LED Module M25A Series



Specification

Working Environment: -40°C~+40°C

Storage Temperature: -40°C~+40°C

Relative humidity: 10%~90%RH

Typical value of pad temperature^[1]: 85°C

IP Rating of LED Light Engine: IP68

Impact Protection Level: IK09

Color Temperature (CCT)^[2]: 3000K,4000K,5000K,5700K

Main Material: Aluminum 6063

Module N.W: 3.50±0.20 kg

Note:

[1] Typical values of pad temperature is obtained based on ambient temperature of 25°C.

[2] Efficacy of 3000K is 5% lower than other CCTs.

Features

- Lumileds LED TX LED;
- Super long lifetime(Lumen maintenance);
- Multiple lighting distribution available;
- Wide applicability for complex situations;
- High versatility apply for all sorts of lamps retrofit.

Application

- Sports lighting retrofit and application;
- Airport lighting retrofit and application.

Ordering Information

For example: M25A-XAA-96-2012-70-40-LU

Module Model	Interface	Dimension of LEDs	Wire Material	LED Qty	Lens Model	Ra & CCT	LED Brand
M25A	X: Universal interface	A: 3535	A: CCC+VDE C: PSE H: UL X: Others	96 96PCS	2012 12 DEG 2318 Sports Light	7030: Ra≥70, 3000K 8040: Ra≥80, 4000K ...	LU: Lumileds CR: Cree SA: Sanan SS: SAMSUNG XX: Other brand

Performance

Model	CRI	Power (W)	Driving current (mA)	Input voltage (Vdc)	Efficacy (lm/W)	Lumens (lm)
M25A-XAA	70	150	500	248~328	135	20250
M25A-XAA	70	200	1950	83~109	130	26000
M25A-XAA	70	250	850	248~328	125	31250
M25A-XAA	80	150	500	248~328	124	18600
M25A-XAA	80	200	1950	83~109	118	23600
M25A-XAA	80	250	850	248~328	115	28750
M25A-XAA	90	150	500	248~328	107	16050
M25A-XAA	90	200	1950	83~109	103	20600
M25A-XAA	90	250	850	248~328	97	24250

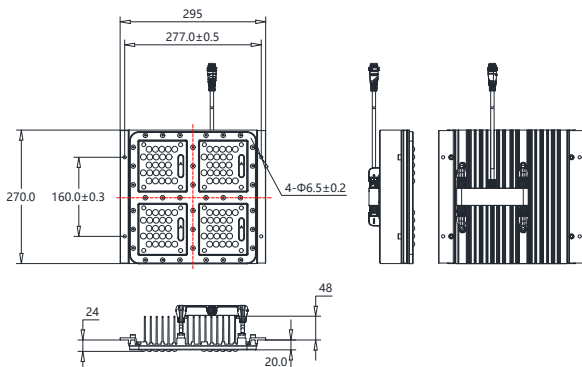
Note: Values shown are subject to ±5%~±8% tolerance; Cable default A type;

Efficacy above is based on calculated @92% power efficiency; Light efficacy of 3000K is 5% lower than other CCTs.

Dimensions

L (mm)	W (mm)	H (mm)
295	270	Max72

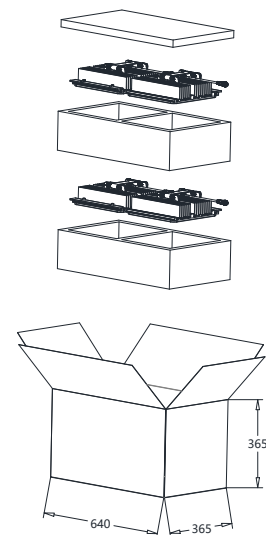
Tolerance: ±0.5mm



Package Information

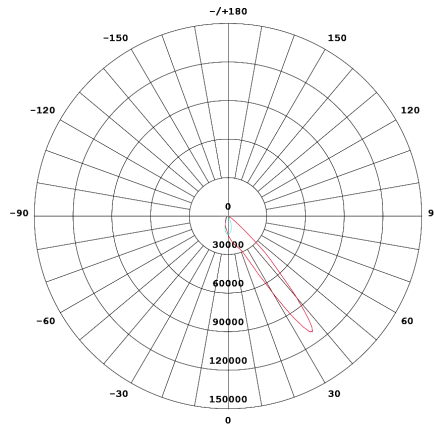
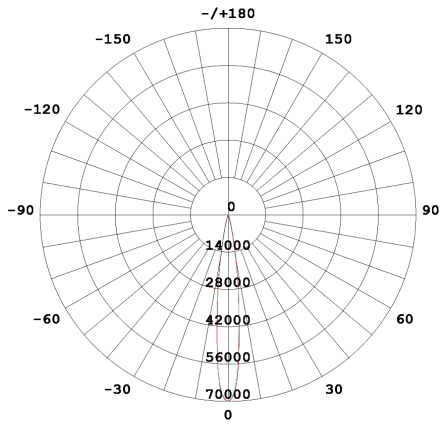
L (mm)	W (mm)	H (mm)	Module pcs/carton (PCS)	Package weight (kg)
640	365	365	4	15.8

Values shown are subject to ±5% tolerance.



Lighting distributions

12D2012 Sport Light 2318



Version History

Change Date	Version	Description of Change		
		Item	From	To
20180502	Ver2.0	Data sheets release (new version)	/	/
20190921	Ver2.1	Update of Company logo: Improvement of Light efficacy.	/	/