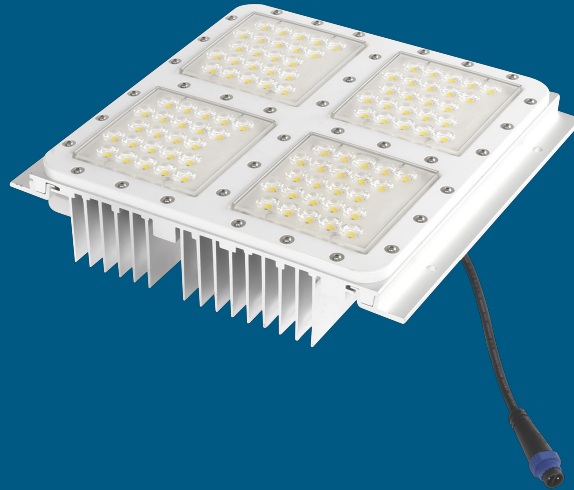


LED Module M25A Series



Specification

Working Environment: -40°C~+40°C

Storage Temperature: -40°C~+40°C

Relative humidity: 10%~90%RH

Typical value of pad temperature^[1]: 80°C

IP Rating of LED Light Engine: IP68

Impact Protection Level: IK09

Color Temperature (CCT)^[2]: 3000K, 4000K, 5000K,5700K

Main Material: Aluminum 6063

Module N.W: 3.50±0.20 kg

Note:

[1] Typical values of pad temperature is obtained based on ambient temperature of 25°C.

[2] Efficacy of 3000K is 5% lower than other CCTs.

Features

- Customized LEDs from a world-leading supplier;
- Super long lifetime(Lumen maintenance);
- Multiple lighting distribution available;
- Wide applicability for complex situations;
- High versatility apply for all sorts of lamps retrofit.

Application

- Sports lighting retrofit and application;
- Airport lighting retrofit and application.

Ordering Information

For example: M25A-XB-96-XX-2225-70-40-CM

Module Model	Interface	Dimension of LEDS	Wire Material	LED Qty	Lens Model	Ra & CCT	LED Brand
M25A	X: Universal interface	B: 5050	A: CCC+VDE	96 96PCS	2225 25 DEG	7030: Ra≥70, 3000K 8040: Ra≥80, 4000K ...	CM: Customized XX: Others
			C: PSE				
			H: UL				
			X: Others				

Performance

Model	CRI	Power (W)	Driving current (mA)	Input voltage (Vdc)	Efficacy (lm/W)	Lumens (lm)
M25A-XB	70	150	750	160~216	164	24600
M25A-XB	70	200	1000	160~216	157	31400
M25A-XB	70	250	5000	40~54	150	37500
M25A-XB	80	150	750	160~216	147	22050
M25A-XB	80	200	1000	160~216	141	28200
M25A-XB	80	250	5000	40~54	135	33750
M25A-XB	90	150	750	160~216	132	19800
M25A-XB	90	200	1000	160~216	127	25400
M25A-XB	90	250	5000	40~54	121	30250

Note: Values shown are subject to ±5%~±8% tolerance; Cable default A type;

Efficacy above is based on calculated @92% power efficiency; Light efficacy of 3000K is 5% lower than other CCTs.

Package Information

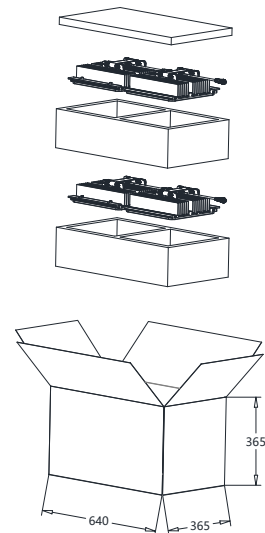
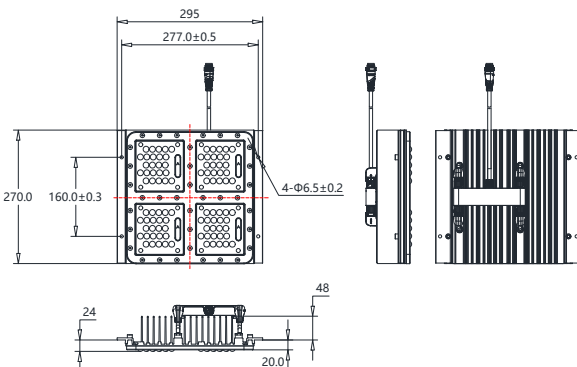
L (mm)	W (mm)	H (mm)	Module pcs/carton (PCS)	Package weight (kg)
640	365	365	4	15.8

Values shown are subject to ±5% tolerance.

Dimensions

L (mm)	W (mm)	H (mm)
295	270	Max75

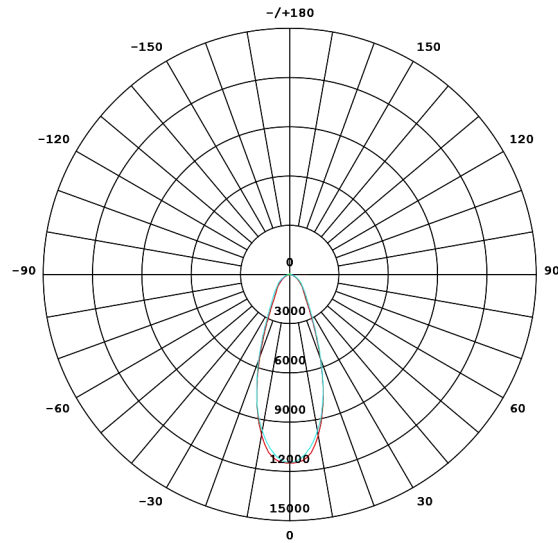
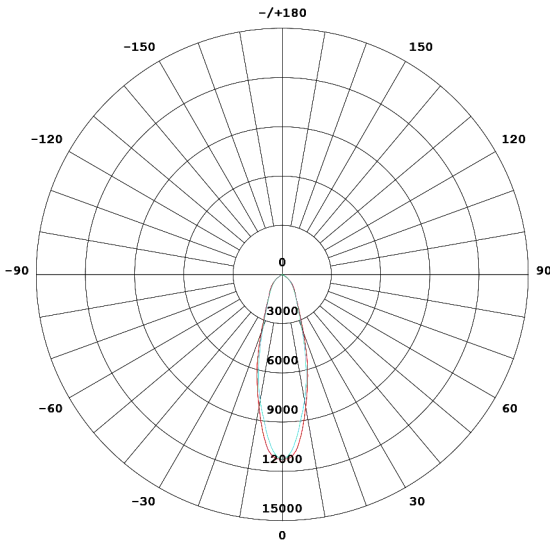
Tolerance: ±0.5mm



Lighting distributions

25D2225

40D1240



Version History

Change Date	Version	Description of Change		
		Item	From	To
20180502	Ver2.0	Data sheets release (new version)	/	/
20190921	Ver2.1	Update of Company logo. Improvement of Light efficacy. Light distribution added.		Added 1240 lens