

LED Module M26A Series



Specification

Working Environment: -40°C~+50°C

Storage Temperature: -40°C~+50°C

Relative humidity: 10%~90%RH

Typical value of pad temperature^[1]: 70°C

IP Rating of LED Light Engine: IP68

Impact Protection Level: IK08

Color Temperature (CCT)^[2]: 3000K, 4000K, 5000K, 5700K

Main Material: Die-cast aluminum ADC12, optical glass

Module N.W.: 0.95±0.05 kg

Note :

[1] Typical values of pad temperature is obtained based on ambient temperature of 25°C.

[2] Efficacy of 3000K is 5% lower than other CCTs.

Features

- Customized LEDs from a world-leading supplier;
- Optical glass easy cleaning;
- Super long lifetime(Lumen maintenance);
- Multiple lighting distributions available;
- Wide applicability for complex situations;
- High versatility apply for all sorts of lamps retrofit.

Application

- Street lighting retrofit and application;
- Tunnel lighting retrofit and application;
- Factory lighting retrofit and application.

Ordering Information

For example: M26A-VBA-26 -2591-7040-CM

Module Model	Interface	Dimension of LEDS	Wire Material	LED Qty	Lens Model	Ra & CCT	LED Brand
M26A	V: V-shaped Groove	B: 5050	A: CCC+VDE	26 26PCS	1592 Type I Short	7030: Ra≥70, 3000K	CM: Customized LU : Lumileds SN: Sanan XX: Others
			C: PSE	32 32PCS	2560 60 DEG	8040: Ra≥80, 4000K	
			H: UL		2590 90 DEG	...	
			X: Others		2591 Tunnel lighting		

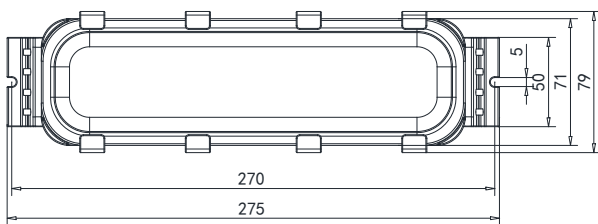
Performance

Model	Power (W)	Driving current (mA)	Input voltage (Vdc)	Efficacy (lm/W)	Lumens (lm)
M26A-VBA-26	40	800	40~54	150	6000
M26A-VBA-26	50	1000	40~54	145	7250
M26A-VBA-26	60	1200	40~54	140	8400
M26A-VBA-32	40	800	40~54	155	6200
M26A-VBA-32	50	1000	40~54	150	7500
M26A-VBA-32	60	1200	40~54	145	8700

Note: Values shown are subject to ±5%~±8% tolerance; Cable default A type;

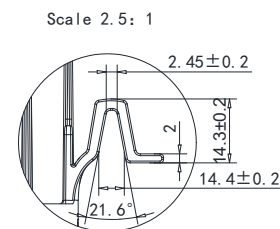
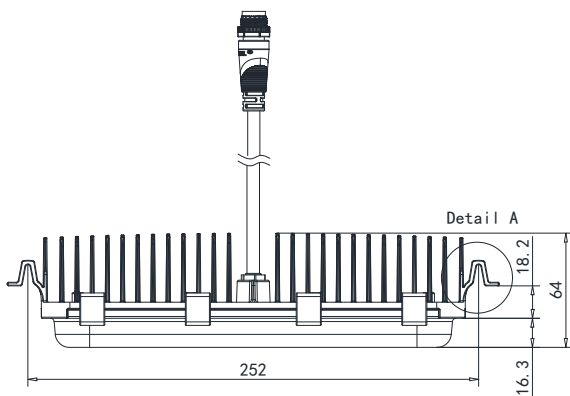
Efficacy above is based on calculated @92% power efficiency; Light efficacy of 3000K is 5% lower than other CCTs.

Dimensions



L (mm)	W (mm)	H (mm)
275	79	64

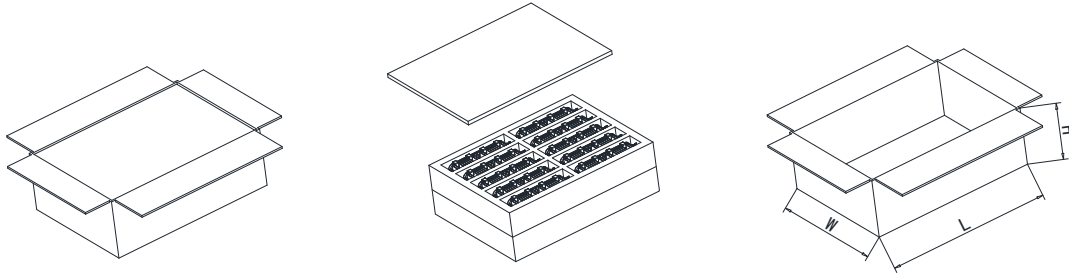
Tolerance: ±0.5mm



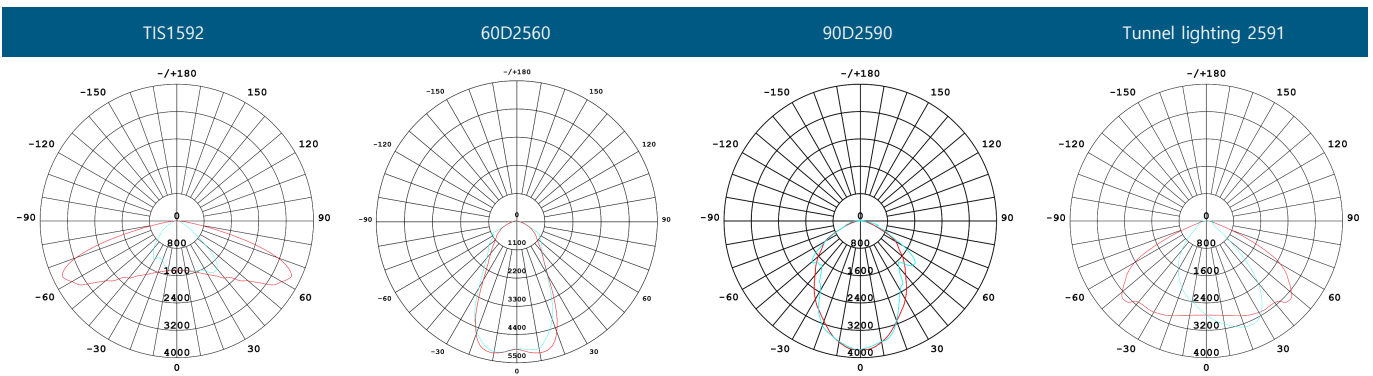
Package Information

L (mm)	W (mm)	H (mm)	Module pcs/carton (PCS)	Package weight (kg)
660	535	275	20	21.5

Values shown are subject to ±5% tolerance.



Lighting distributions



Version History

Change Date	Version	Description of Change		
		Item	From	To
20180816	Ver1.0	Data sheets release (new version)	/	/
20190304	Ver1.1	Optimize the packing size of carton	645X280X230mm	660X535X275mm
20190921	Ver1.2	Update of Company logo; Improvement of Light efficacy.		