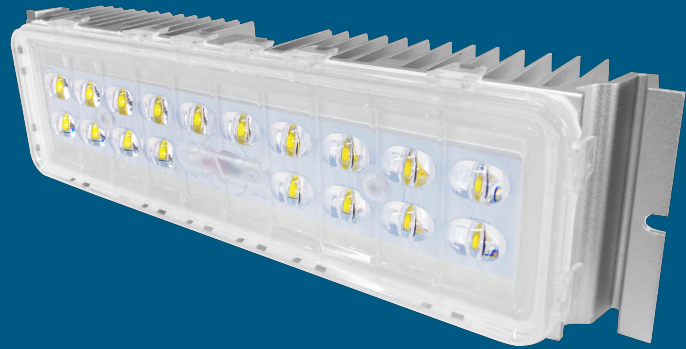


## LED Module M2A Series



### Specification

**Working Environment:** -40°C~+50°C

**Storage Temperature:** -40°C~+50°C

**Relative humidity:** 10%~90%RH

**Typical value of pad temperature<sup>[1]</sup>:** 80°C

**IP Rating of LED Light Engine:** IP68

**Impact Protection Level:** IK09

**Color Temperature (CCT)<sup>[2]</sup>:** 3000K, 4000K, 5000K, 5700K

**Main Material:** Aluminum 6063

**Module N.W.:** 0.67±0.04 kg

**Note:**

[1] Typical values of pad temperature is obtained based on the test power 60W  
with ambient temperature 25°C.

[2] Efficacy of 3000K is 5% lower than other CCTs.

### Features

- Lumileds Luxeon T LED;
- Super long lifetime(Lumen maintenance);
- Multiple lighting distributions available;
- Wide applicability for complex situations;
- High versatility apply for all sorts of lamps retrofit.

### Application

- Street lighting retrofit and application;
- Factory lighting retrofit and application;
- Tunnel lighting retrofit and application;
- Sports lighting retrofit and application.

## Ordering Information

For example: M2A-VAA-18 -1501-7040-LU

Module Model	Interface	Dimension of LEDS	Wire Material	LED Qty	Lens Model		Ra & CCT	LED Brand
<b>M2A</b>	<b>V:</b> V-shape Groove	<b>A:</b> 3535	<b>A:</b> CCC+VDE	<b>18</b> 18PCS	<b>1812</b> Type I Short	<b>3540</b> 40 DEG	<b>7030:</b> Ra≥70, 3000K <b>8040:</b> Ra≥80, 4000K ...	<b>LU:</b> Lumileds
			<b>C:</b> PSE		<b>1412</b> Type II Medium	<b>3560</b> 60 DEG		<b>SS:</b> Samsung
			<b>H:</b> UL		<b>1908</b> 12 DEG	<b>3590</b> 90 DEG		<b>XX:</b> Others
			<b>X:</b> Other		<b>3725</b> 25 DEG	<b>3030</b> 110 X40DEG		

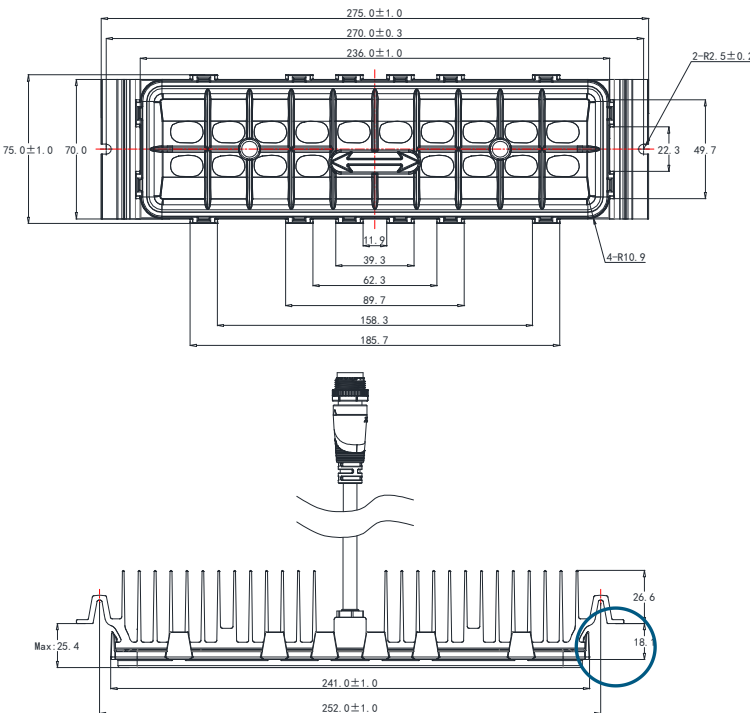
## Performance

Model	Power (W)	Driving current (mA)	Input voltage (Vdc)	Efficacy (lm/W)	Lumens (lm)
M2A-VAA	40	700	48~61	137	5480
M2A-VAA	50	860	48~61	130	6500
M2A-VAA	60	1050	48~61	122	7320

Note : Values shown are subject to ±5%~±8% tolerance; Cable default A type;

Efficacy above is based on calculated @92% power efficiency ; Light efficacy of 3000K is 5% lower than other CCTs.

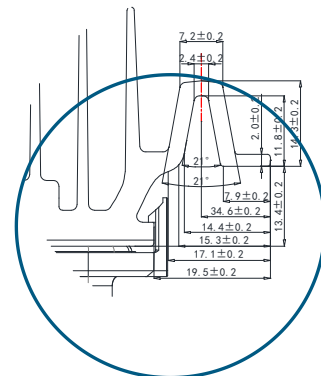
## Dimensions



L (mm)	W (mm)	H (mm)
275	75	Max52

The height of the module is the maximum value.

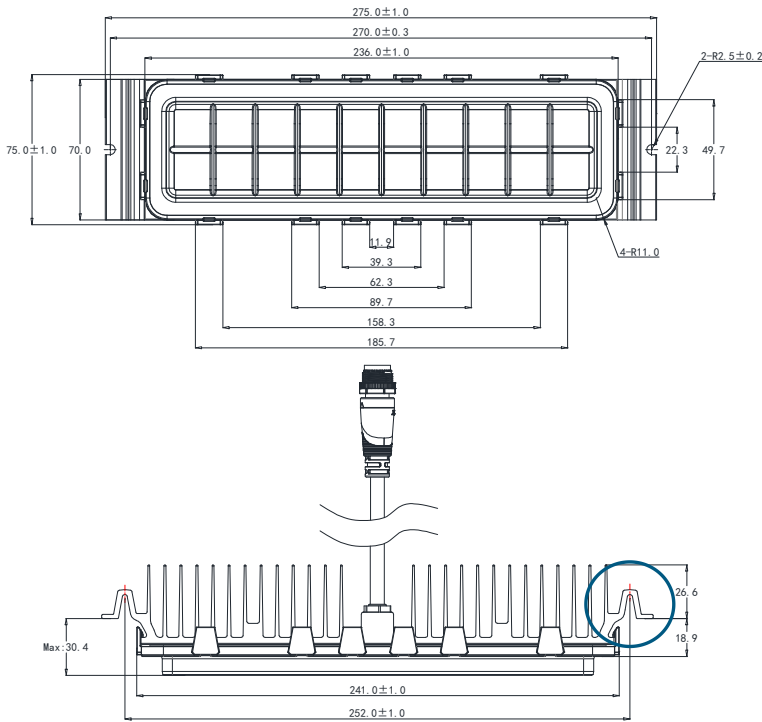
Tolerance: ±0.5mm



### Available Lens Model

1412	1812
------	------

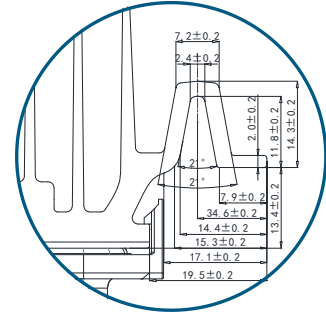
## Dimensions



L (mm)	W (mm)	H (mm)
--------	--------	--------

275                      75                      Max57

Tolerance: ±0.5mm



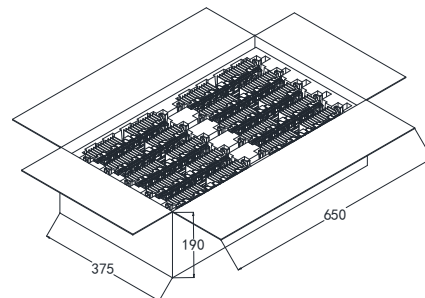
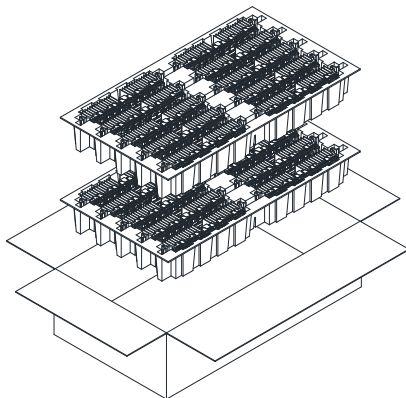
### Available Lens Model

1908	3725	3540	3560
3590			

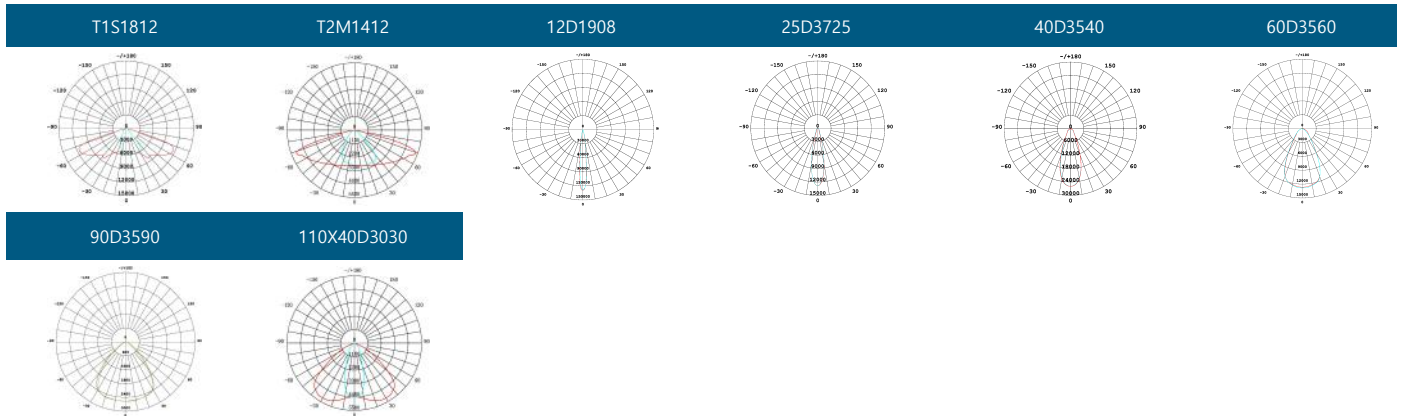
## Package Information

L (mm)	W (mm)	H (mm)	Module pcs/carton (PCS)	Package weight (kg)
650	375	190	20	14.9

Values shown are subject to ±5% tolerance.



## Lighting distributions



## Version History

Change Date	Version	Description of Change		
		Item	From	To
20180503	Ver2.0	Data sheets release (new version)	/	/
20190921	Ver2.1	Update of Company logo and package weight ;	/	/