

LED Module M33A Series



Specification

Working Environment: -40°C~+50°C

Storage Temperature: -40°C~+50°C

Relative humidity: 10%~90%RH

Typical Solder Point Temperature Ts^[1]: 55°C

IP Rating of LED Light Engine: IP68

Color Temperature (CCT)^[2]: 3000K, 4000K, 5000K, 5700K

Main Material: Die Casting Aluminum ADC12

N.W.: 0.67±0.04 kgs

Note:

[1] Typical values of pad temperature is obtained based on the test power 60W
with ambient temperature 25°C.

[2] Efficacy of 3000K is 5% lower than other CCTs.

Features

- Customized LEDs from a world-leading supplier;
- Super long lifetime(Lumen maintenance);
- Multiple lighting distributions available;
- Wide applicability for complex situations;
- High versatility apply for all sorts of lamps retrofit.

Application

- Street lighting retrofit and application;
- Factory lighting retrofit and application;
- Tunnel lighting retrofit and application;
- Sports lighting retrofit and application.

Ordering Information

For example: M33A-VBA-18-2105-7040-CM

Module Model	Interface	Dimension of LEDS	Wire Standard	LED Qty	Lens Model	Ra & CCT	LED Brand			
M33A	V: V shape groove	B: 5050	A: CCC+VDE C: PSE H: UL X: Others	18:18PCS	Lens Type:		7030: Ra≥70, 3000K 7040: Ra≥70, 4000K 7050: Ra≥70, 5000K 7057: Ra≥70, 5700K	CM: Customized XX: Others		
				28:28PCS	1107 Type I Short	3125			25 DEG	
					2125 Type I Short	3140			40 DEG	
					2105 Type II Short	3160			60 DEG	
					2128 Type II Short	2190			90 DEG	
					3106 Type II Short	2211			90x40 DEG	
					3108 Type II Short(V)	3504			80x35 DEG	
					2111 Type II Medium	3505			70x30 DEG	
					1113 Type III Short	2114			Square lighting	
					2127 Type III Medium	2212			Sport Lighting	
					2109 Type III Medium	2123			Tunnel Lighting	
					2310 Lambert Type					
					Reflector Type:					
					2501	60X60DEG				
					2503	80X50 DEG			2502	80X80DEG

Performance

Lens Type

Module Model	Power (W)	Driving current (mA)	Input voltage (Vdc)	18pcs		28pcs	
				Efficacy (lm/W)	Lumens (lm)	Efficacy (lm/W)	Lumens (lm)
M33A-VBA	30	600	40~54	168	5040	180	5400
M33A-VBA	40	800	40~54	160	6400	175	7000
M33A-VBA	50	1000	40~54	150	7500	170	8500
M33A-VBA	60	1200	40~54	140	8400	163	9780

Note: Values shown are subject to ±5%~±8% tolerance; Cable default A type;

Efficacy above is based on calculated @92% power efficiency; Light efficacy of 3000K is 5% lower than other CCTs.

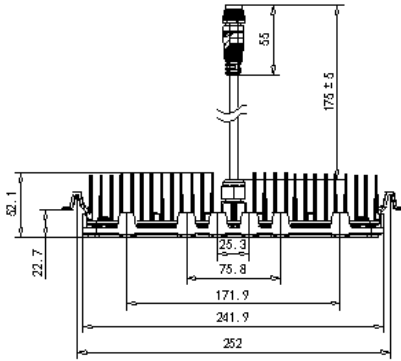
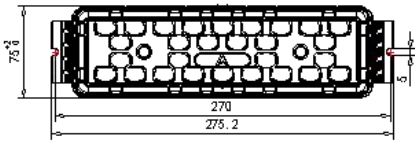
Reflector Type

Module Model	Power (W)	Driving current (mA)	Input voltage (Vdc)	18pcs		28pcs	
				Efficacy (lm/W)	Lumens (lm)	Efficacy (lm/W)	Lumens (lm)
M33A-VBA	30	600	40~54	155	4650	166	4980
M33A-VBA	40	800	40~54	150	6000	163	6520
M33A-VBA	50	1000	40~54	145	7250	158	7900
M33A-VBA	60	1200	40~54	140	8400	152	9120

Note: Values shown are subject to ±5%~±8% tolerance; Cable default A type;

Efficacy above is based on calculated @92% power efficiency; Light efficacy of 3000K is 5% lower than other CCTs.

Dimensions



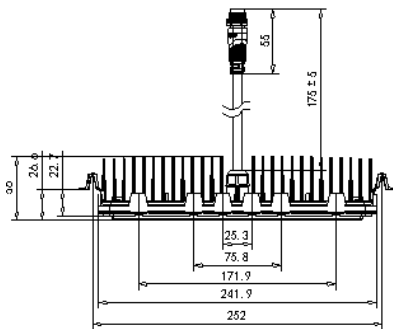
L (mm)	W (mm)	H (mm)
275.2	75	49-52

* Tolerance: : ±0.5mm

* Different lenses, the height will be 5% tolerance.

Available lens model

1107	1113	2105
2109	2111	2123
2125	2127	2128
3106	3108	



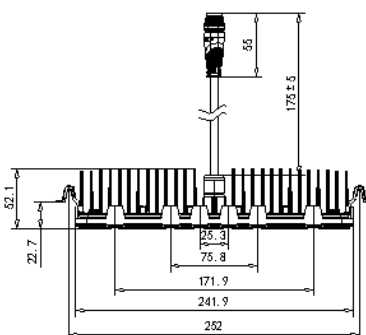
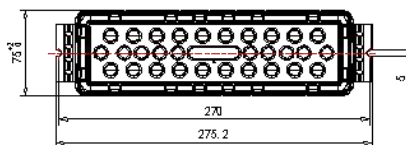
L (mm)	W (mm)	H (mm)
275.2	75.0	M53-56

* Tolerance: : ±0.5mm

* Different lenses, the height will be 5% tolerance.

Available lens model

2114	2501	2502	
2503	3125	3140	3505



L (mm)	W (mm)	H (mm)
275.2	75	49-52

* Tolerance: : ±0.5mm

* Different lenses, the height will be 5% tolerance.

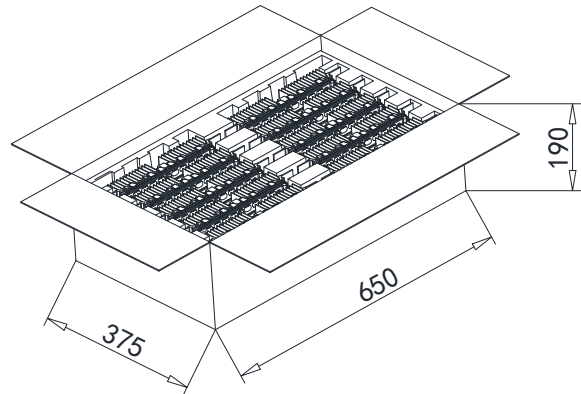
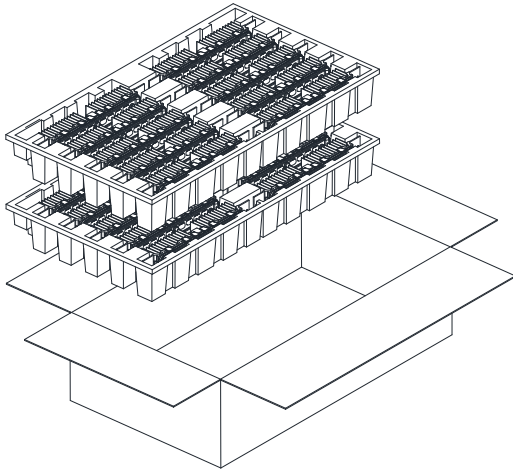
Available lens model

2190	2211	2212	2310
3160	3504		

Package Information

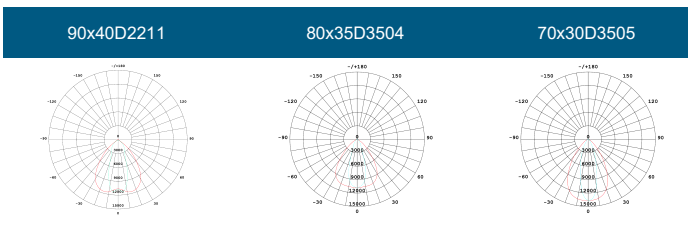
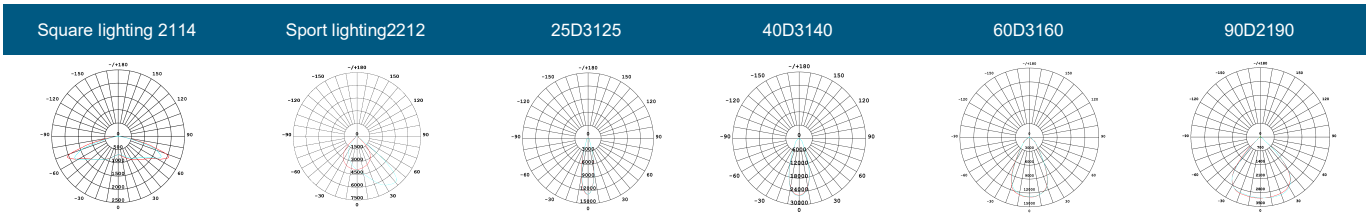
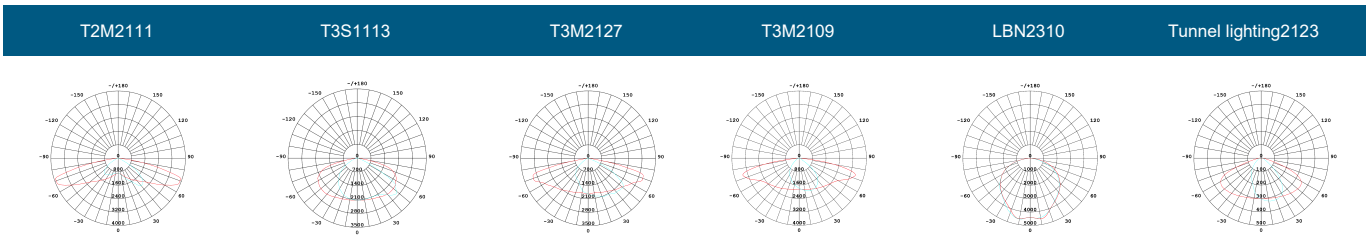
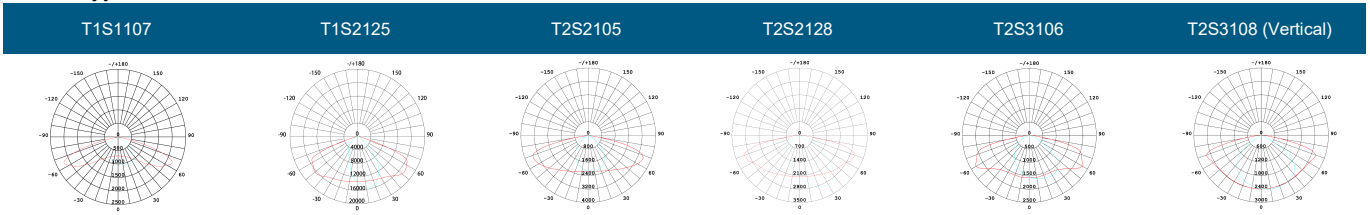
L (mm)	W (mm)	H (mm)	Module pcs/carton (PCS)	Package weight (kg)
650	375	190	20	14.9

Values shown are subject to $\pm 5\%$ tolerance.

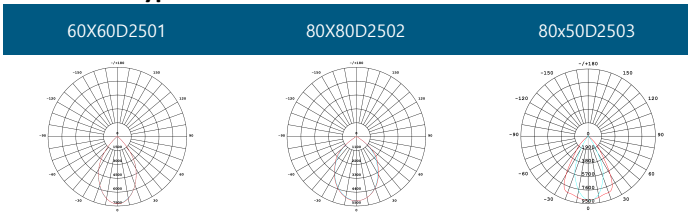


Light Distributions

Lens Type



Reflector Type



Direction of module installation

1. There is an arrow indicating the direction on the module, as shown in the figure below. If the arrow only faces one side on the module, the module should follow the arrow orientation installation. As shown in the example on the right, the module is irradiated in the direction of the road (on the right), and the arrows should be pointed when the module is installed (Install to the right). The arrows on the module point to the same red arrows as in the figure.



2. If module without arrow means symmetrical light distribution, so direction of module installation is not limited.



Version History

Change Date	Version	Description of Change		
		Item	From	To
20190927	Ver1.0	Data sheets release (new version)	/	/
20210913	Ver1.1	Optimize product size and add direction of module installation	/	/