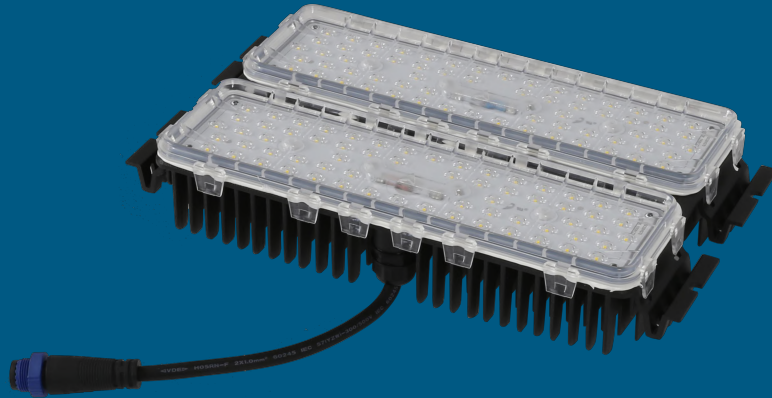


LED Module M33B Series



Specification

Working Environment: -40°C~+50°C

Storage Temperature: -40°C~+50°C

Relative humidity: 10%~90%RH

Typical value of pad temperature^[1]: 65°C

IP Rating of LED Light Engine: IP68

Impact Protection Level: IK09

Color Temperature (CCT)^[2]: 3000K, 4000K, 5000K, 5700K

Main Material: Die Casting Aluminum ADC12

Module N.W.: 1.36±0.07 kgs

Note :

[1] Typical values of pad temperature is obtained based on 120W with a ambient temperature of 25°C.

[2] Efficacy of 3000K is 5% lower than other CCTs.

Features

- Lumileds Luxeon 3030;
- Super long lifetime(Lumen maintenance);
- Multiple lighting distributions available;
- Wide applicability for complex situations;
- High versatility apply for all sorts of lamps retrofit.

Application

- Street lighting retrofit and application;
- Factory lighting retrofit and application;
- Tunnel lighting retrofit and application;
- Sports lighting retrofit and application.

Ordering Information

For example: M33B-VCA-126-1321-7040-LU

Module Model	Interface	Dimension of LEDs	Wire Material	LED Qty	Lens Model	Ra & CCT	LED Brand	
M33B	V: V-shape	C: 3030	A: CCC+VDE	126 126PCS	1324 Type II Short	1325 25 DEG	7030: Ra≥70, 3000K	LU: Lumileds
			C: PSE		2322 Type II Short (V)	2360 60 DEG	8040: Ra≥80, 4000K	SN: Sanan
			H: UL		2321 Type II Short	5340 40 DEG	...	XX: Others
			X: Others		1321 Type III Medium	5390 90 DEG		
					1310 Lambert Type			
					1390 Tunnel Lighting			

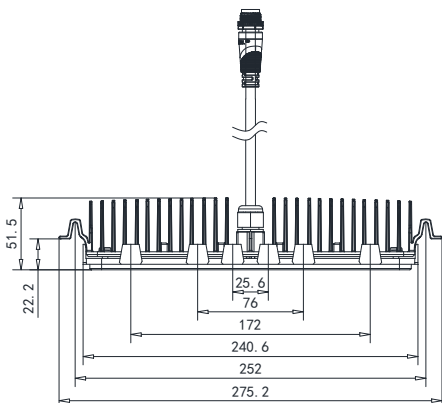
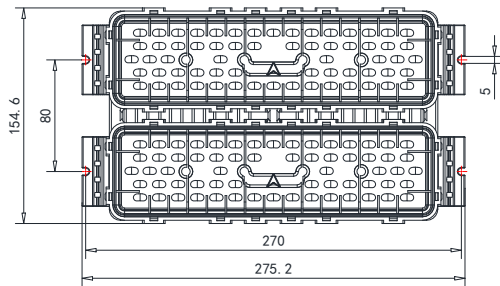
Performance

Model	Power (W)	Driving current (mA)	Input voltage (Vdc)	Efficacy (lm/W)	Flux(lm)
M33B-VCA-126	80	700	96~122	140	11200
M33B-VCA-126	100	860	96~122	135	13500
M33B-VCA-126	120	1050	96~122	127	15240

Note : Values shown are subject to ±5%~±8% tolerance; Cable default A type;

Efficacy above is based on calculated @92% power efficiency ; Light efficacy of 3000K is 5% lower than other CCTs.

Dimensions



L (mm)	W (mm)	H (mm)
275.2	154.6	Max51.5

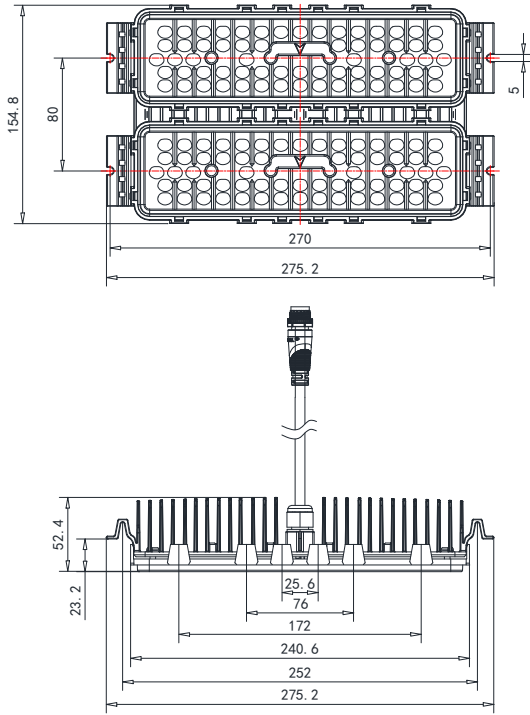
The height of the module is the maximum value.

Tolerance: ±0.5mm

Available lens model

1321	1324	1390
1232	2322	

Dimensions



L (mm)	W(mm)	H (mm)
275.2	154.8	Max52.4

The height of the module is the maximum value.

Tolerance: ±0.5mm

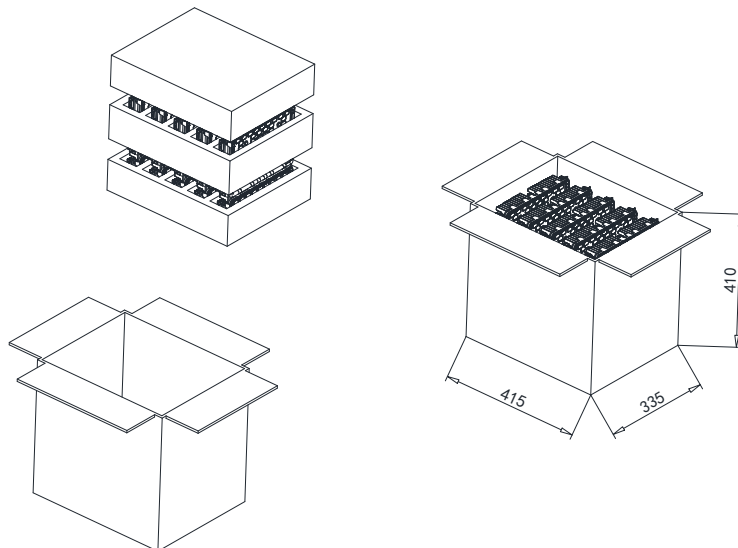
Available lens model

1310	1325	5340	2360
5390			

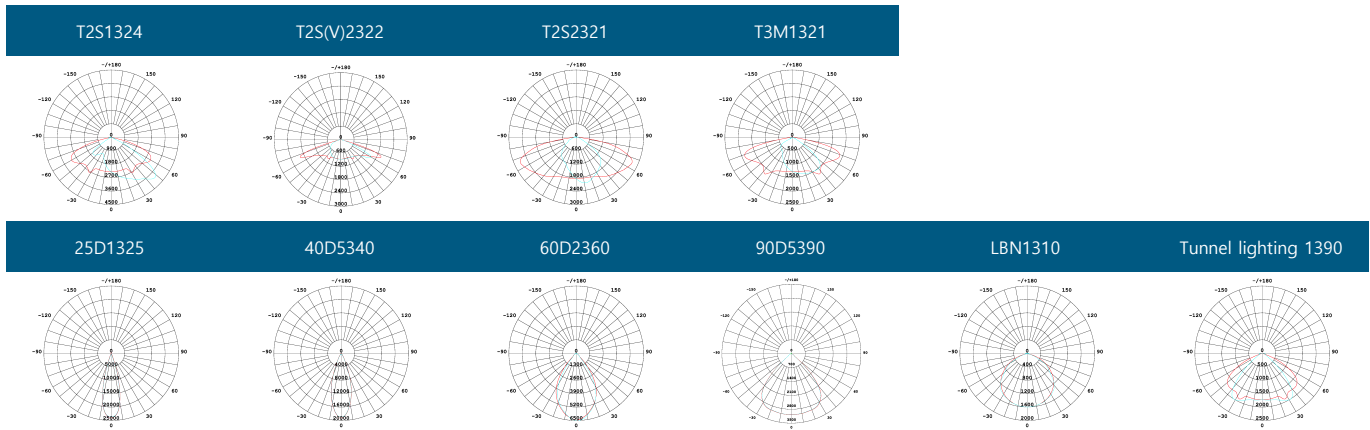
Package Information

L (mm)	W (mm)	H (mm)	Module pcs/carton (PCS)	Package weight (kg)
415	335	410	10	15.2

Values shown are subject to ±5% tolerance..



Lighting distributions



Direction of module installation

1. There is an arrow indicating the direction on the module, as shown in the figure below. If the arrow only faces one side on the module, the module should follow the arrow orientation installation. As shown in the example on the right, the module is irradiated in the direction of the road (on the right), and the arrows should be pointed when the module is installed (Install to the right). The arrows on the module point to the same red arrows as in the figure.



2. If module without arrow means symmetrical light distribution, so direction of module installation is not limited.



Version History

Change Date	Version	Description of Change		
		Item	From	To
20190927	Ver1.0	Data sheets release (new version)		
20200601	Ver1.1	Delete 5321 light distribution Update data of package		
20210913	Ver1.2	Optimize packing size and add direction of module installation		