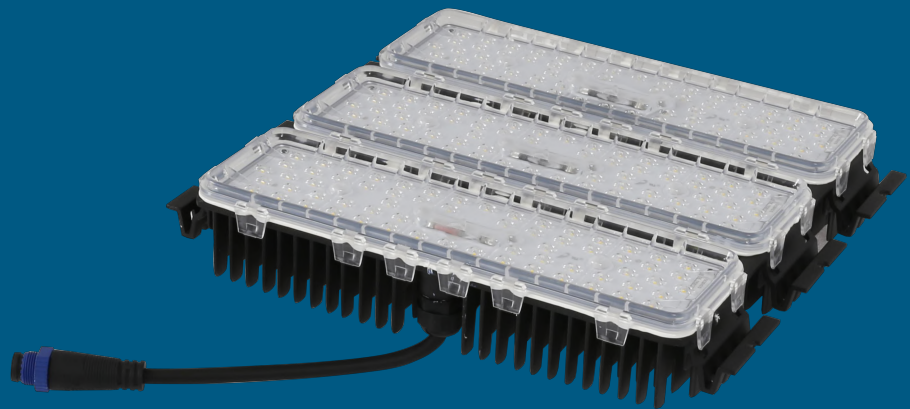


LED Module M33C Series



Specification

Working Environment: -40°C~+50°C

Storage Temperature: -40°C~+50°C

Relative humidity: 10%~90%RH

Typical value of pad temperature^[1]: 70°C

IP Rating of LED Light Engine: IP68

Impact Protection Level: IK09

Color Temperature (CCT)^[2]: 3000K, 4000K, 5000K, 5700K

Main Material: Die Casting Aluminum ADC12

Module N.W.: 1.96±0.10 kgs

Note :

[1] Typical values of pad temperature is obtained based on 180W with a ambient temperature of 25°C.

[2] Efficacy of 3000K is 5% lower than other CCTs.

Features

- Lumileds Luxeon 3030;
- Super long lifetime(Lumen maintenance);
- Multiple lighting distributions available;
- Wide applicability for complex situations;
- High versatility apply for all sorts of lamps retrofit.

Application

- Street lighting retrofit and application;
- Factory lighting retrofit and application;
- Tunnel lighting retrofit and application;
- Sports lighting retrofit and application.

Ordering Information

For example: M33C-VCA-189-1321-7040-LU

Module Model	Interface	Dimension of LED	Wire Material	LED Qty	Lens Model		Ra & CCT	LED Brand
M33C	V: V-shape Groove	C: 3030	A: CCC+VDE C: PSE H: UL X: Others	189:189PCS	1324 Type II Short	1325 25 DEG	7030: Ra≥70, 3000K 8040: Ra≥80, 4000K ...	LU: Lumileds SN: Sanan XX: Others LU: Lumileds
					2322 Type II Short (V)	2360 60 DEG		
					2321 Type II Short	5340 40 DEG		
					1321 Type III Medium	5390 90 DEG		
					1390 Tunnel Lighting	1310 Lambert Type 1390 Tunnel Lighting		

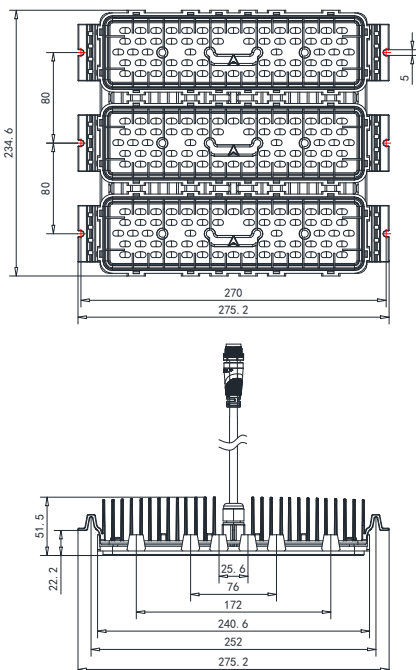
Performance

Model	Power (W)	Driving current (mA)	Input voltage (Vdc)	Efficacy (lm/W)	Flux(lm)
M33C-VCA-189	120	700	144-183	140	16800
M33C-VCA-189	150	860	144-183	135	20250
M33C-VCA-189	180	1050	144-183	127	22860

Note : Values shown are subject to ±5%~±8% tolerance; Cable default A type;

Efficacy above is based on calculated @92% power efficiency ; Light efficacy of 3000K is 5% lower than other CCTs.

Dimensions



L (mm)	W (mm)	H (mm)
275.2	234.6	Max51.5

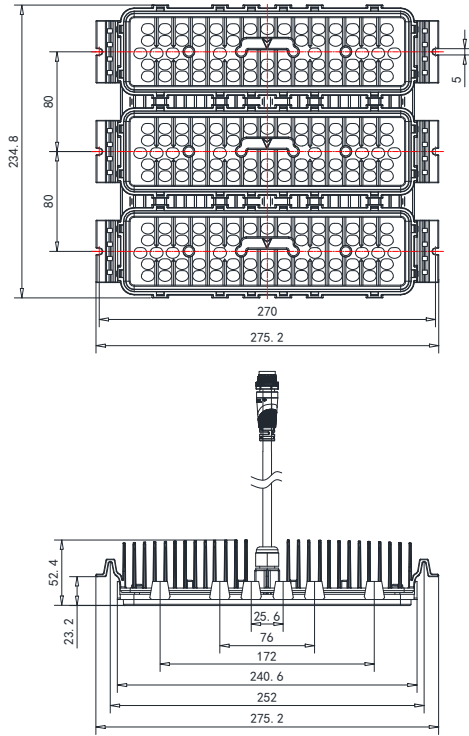
The height of the module is the maximum value.

Tolerance: ±0.5mm

Available lens model

1321	1324	1390
1232	2322	

Dimensions



L (mm)	W (mm)	H (mm)
275.2	234.8	Max52.4

The height of the module is the maximum value.

Tolerance: $\pm 0.5\text{mm}$

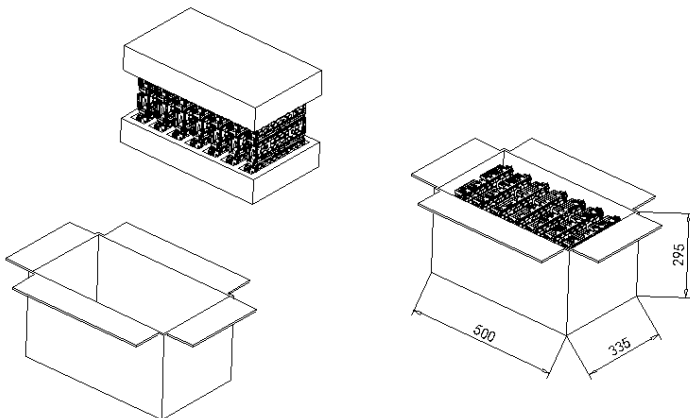
Available lens model

1310	1325	5340	2360
5390			

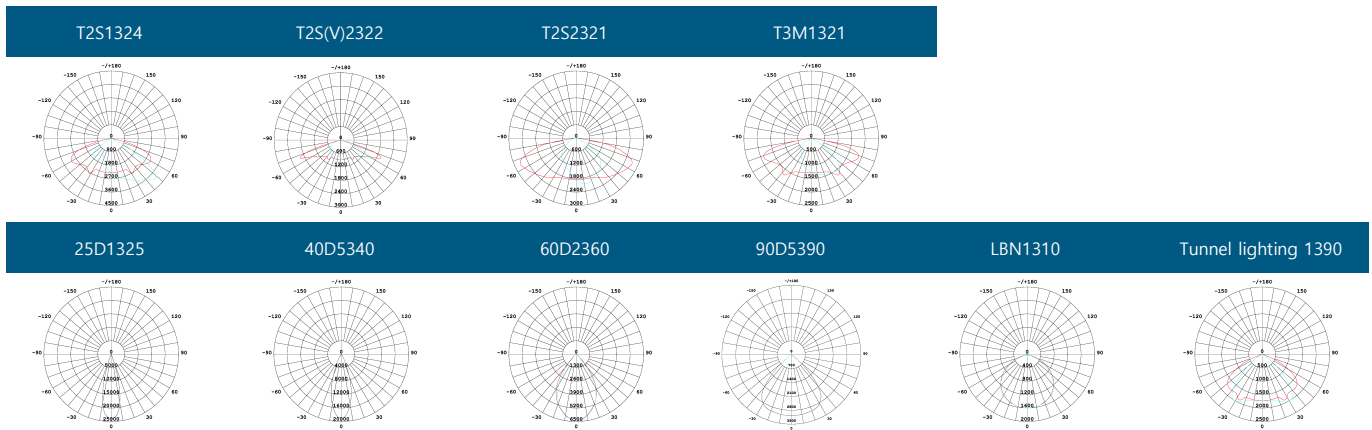
Package Information

L (mm)	W (mm)	H (mm)	Module pcs/carton (PCS)	Package weight (kg)
500	335	295	7	15.5

Values shown are subject to $\pm 5\%$ tolerance.



Lighting distributions

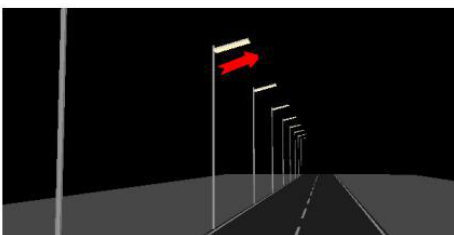


Direction of module installation

1. There is an arrow indicating the direction on the module, as shown in the figure below. If the arrow only faces one side on the module, the module should follow the arrow orientation installation. As shown in the example on the right, the module is irradiated in the direction of the road (on the right), and the arrows should be pointed when the module is installed (Install to the right). The arrows on the module point to the same red arrows as in the figure.



2. If module without arrow means symmetrical light distribution, so direction of module installation is not limited.



Version History

Change Date	Version	Description of Change		
		Item	From	To
20190927	Ver1.0	Data sheets release (new version)		
20200602	Ver1.1	Delete 5321 light distribution Update package weight	43.2kgs	15.5kgs
20210913	Ver1.2	Add direction of module installation	/	/