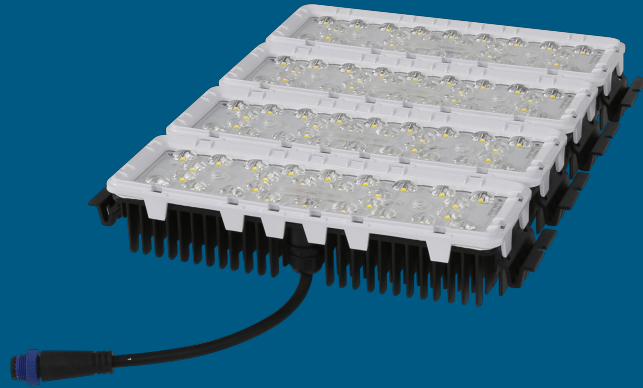


## LED Module M33D Series



### Specification

**Working Environment:** -40°C~+50°C

**Storage Temperature:** -40°C~+50°C

**Relative humidity:** 10%~90%RH

**Typical Solder Point Temperature  $T_s^{[1]}$ :** 65°C

**IP Rating of LED Light Engine:** IP68

**Color Temperature (CCT)<sup>[2]</sup>:** 3000K, 4000K, 5000K, 5700K

**Main Material:** Die Casting Aluminum ADC12

**N.W.:** 2.53±0.13kgs

**Note:**

[1] Typical values of pad temperature is obtained based on the test power 240W  
with ambient temperature 25°C.

[2] Efficacy of 3000K is 5% lower than other CCTs.

### Features

- Customized LEDs from a world-leading supplier;
- Super long lifetime(Lumen maintenance);
- Multiple lighting distributions available;
- Wide applicability for complex situations;
- High versatility apply for all sorts of lamps retrofit.

### Application

- Street lighting retrofit and application;
- Factory lighting retrofit and application;
- Tunnel lighting retrofit and application;
- Sports lighting retrofit and application.

## Ordering Information

For example : M33D-VBA-72-2105-7040-CM

Module Model	Interface	Dimension of LEDS	Wire Standard	LED Qty	Lens Model	Ra & CCT	LED Brand					
<b>M33D</b>	V: V shape groove	<b>B: 5050</b>	<b>A: CCC+VDE</b>	<b>72: 72PCS</b>	<b>Lens Type:</b> <b>1107</b> Type I Short <b>3125</b> 25 DEG	<b>7030:</b> Ra≥70, 3000K	<b>CM:</b> Customized					
				<b>112:112PCS</b>	<b>2125</b> Type I Short <b>3140</b> 40 DEG			<b>7040:</b> Ra≥70, 4000K				
				<b>C: PSE</b> <b>H: UL</b> <b>X: Others</b>		<b>2105</b> Type II Short <b>3160</b> 60 DEG	<b>7050:</b> Ra≥70, 5000K	<b>XX:</b> Others				
						<b>2128</b> Type II Short <b>2190</b> 90 DEG			<b>7057:</b> Ra≥70, 5700K			
						<b>3106</b> Type II Short <b>2211</b> 90x40 DEG						
						<b>3108</b> Type II Short(V) <b>3504</b> 80x35 DEG						
						<b>2111</b> Type II Medium <b>3505</b> 70x30 DEG						
						<b>1113</b> Type III Short <b>2114</b> Square lighting						
						<b>2127</b> Type III Medium <b>2212</b> Sport Lighting						
						<b>2109</b> Type III Medium <b>2123</b> Tunnellighting						
						<b>2310</b> Lambert Type						
						<b>Reflector Type:</b>						
						<b>2501</b> 60X60DEG						
						<b>2503</b> 80X50DEG			<b>2502</b> 80X80DEG			

## Performance

### Lens Type

Module Model	Power (W)	Driving current (mA)	Input voltage (Vdc)	18*4pcs		28*4pcs	
				Efficacy (lm/W)	Lumens (lm)	Efficacy (lm/W)	Lumens (lm)
M33D-VBA	160	800	160-216	160	25600	175	28000
M33D-VBA	200	1000	160-216	150	30000	170	34000
M33D-VBA	240	1200	160-216	140	33600	163	39120

Note: Values shown are subject to ±5%~±8% tolerance; Cable default A type;

Efficacy above is based on calculated @92% power efficiency; Light efficacy of 3000K is 5% lower than other CCTs.

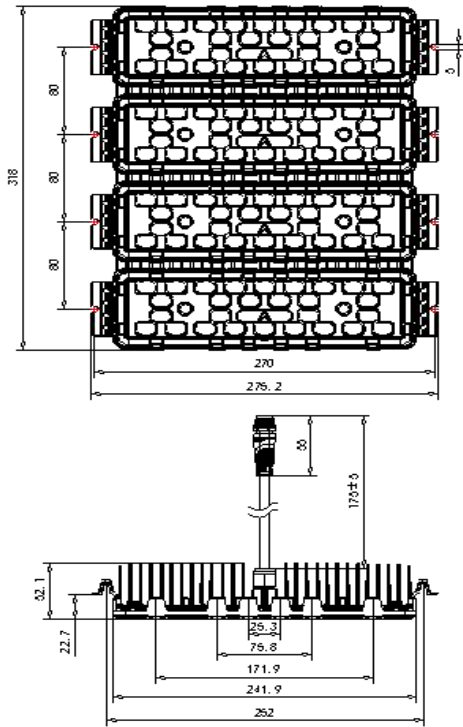
### Reflector Type

Module Model	Power (W)	Driving current (mA)	Input voltage (Vdc)	18*4pcs		28*4pcs	
				Efficacy (lm/W)	Lumens (lm)	Efficacy (lm/W)	Lumens (lm)
M33D-VBA	160	800	160-216	150	24000	163	26080
M33D-VBA	200	1000	160-216	145	29000	158	31600
M33D-VBA	240	1200	160-216	140	33600	152	36480

Note: Values shown are subject to ±5%~±8% tolerance; Cable default A type;

Efficacy above is based on calculated @92% power efficiency; Light efficacy of 3000K is 5% lower than other CCTs.

## Dimensions



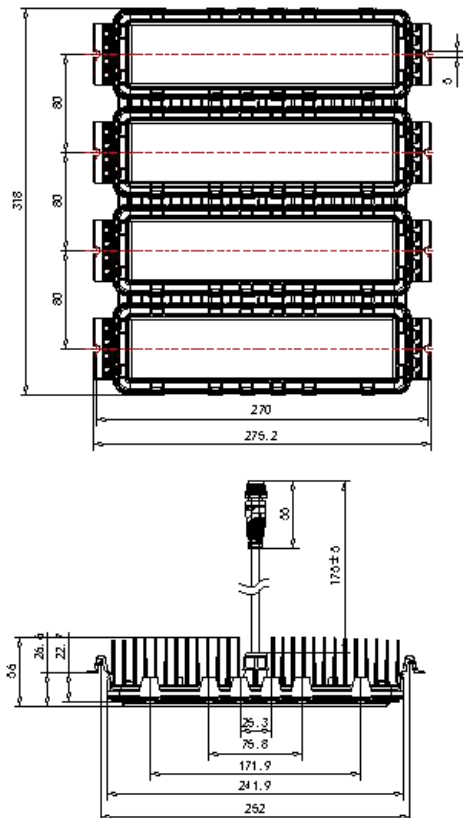
L ( mm )	W ( mm )	H ( mm )
275.2	318	49-52

\* Tolerance: ±0.5mm

\* Different lenses, the height will be 5% tolerance.

### Available lens model

1107	1113	2105
2109	2111	2123
2125	2127	2128
3106	3108	



L ( mm )	W ( mm )	H ( mm )
275.2	318	53-56

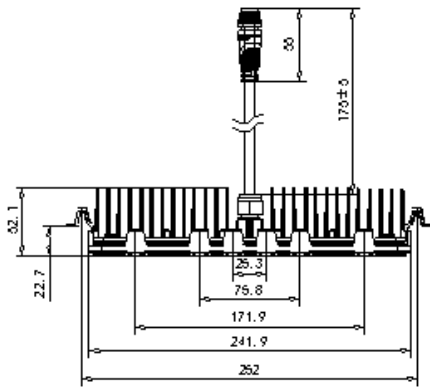
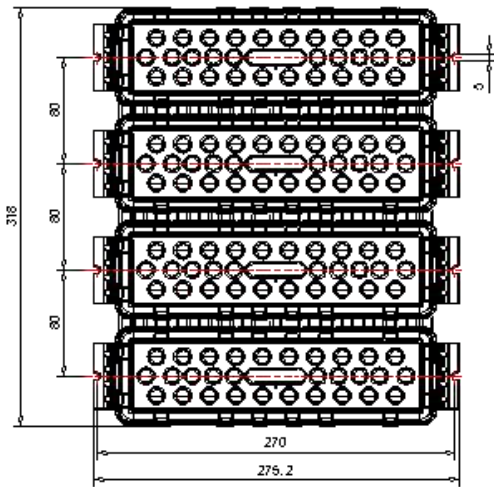
\* Tolerance: ±0.5mm

\* Different lenses, the height will be 5% tolerance.

### Available lens Model

2114	2501	2502	
2503	3125	3140	3505

## Dimensions



L ( mm )	W ( mm )	H ( mm )
275.2	318	49-52

\* Tolerance: ±0.5mm

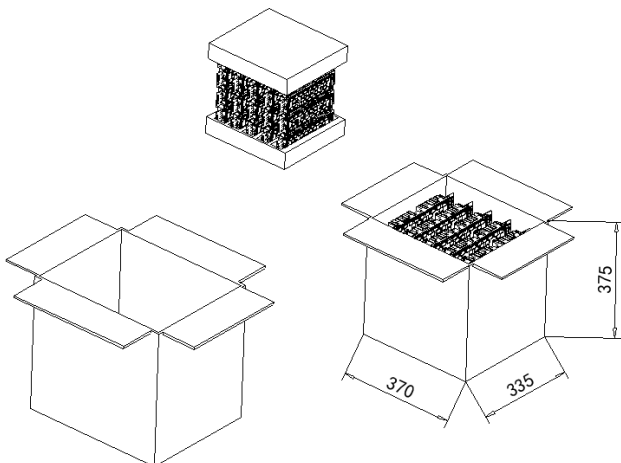
\* Different lenses, the height will be 5% tolerance.

2190	2211	2212	2310
3160	3504		

## Package Information

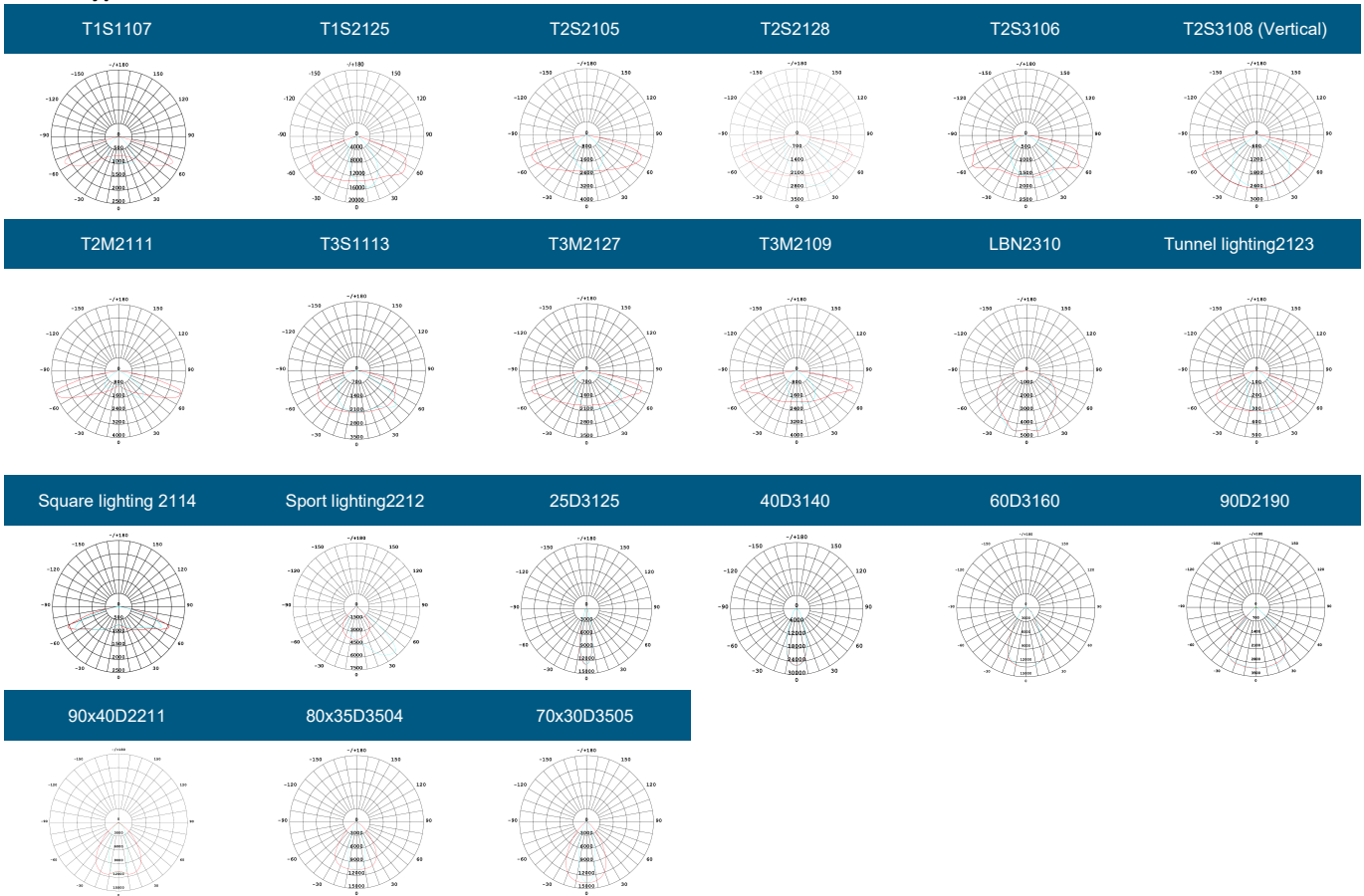
L ( mm )	W ( mm )	H ( mm )	Module pcs/carton (PCS)	Package weight (kg)
370	335	375	5	14.4

Values shown are subject to ±5% tolerance.

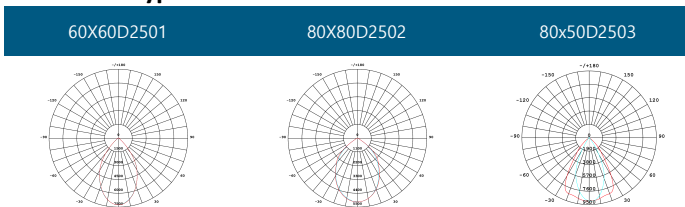


## Light Distributions

### Lens Type



### Reflector Type



## Direction of module installation

1. There is an arrow indicating the direction on the module, as shown in the figure below. If the arrow only faces one side on the module, the module should follow the arrow orientation installation. As shown in the example on the right, the module is irradiated in the direction of the road (on the right), and the arrows should be pointed when the module is installed

(Install to the right). The arrows on the module point to the same red arrows as in the figure.

2. If module without arrow means symmetrical light distribution, so direction of module installation is not limited.



## Version History

Change Date	Version	Description of Change		
		Item	From	To
20190927	Ver1.0	Data sheets release (new version)	/	/
20200602	Ver1.1	Update Package	/	/
20210913	Ver1.2	Optimize product size and add direction of module installation	/	/