

LED Module

M7A

Series



Specification

Working Environment: -40°C~+50°C

Storage Temperature: -40°C~+50°C

Relative humidity: 10%~90%RH

IP Rating of LED Light Engine: IP67

Color Temperature (CCT): 3000K, 4000K, 5000K, 5700K

Main Material: Aluminum alloy 5052

Module N.W.: 0.103±0.005 kg

Note :

[1] Efficacy of 3000K is 5% lower than other CCTs.

[2] This module must be used for the luminaires with heat dissipation structures,

shall not be used alone.

Features

- Lumileds Luxeon TX LED;
- Super long lifetime(Lumen maintenance);
- Wide applicability for complex situations;
- High versatility apply for all sorts of lamps retrofit.

Application

- Street lighting retrofit and application;
- Tunnel lighting retrofit and application;
- Garden lighting retrofit and application.

Ordering Information

For example: M7A-XAH-9-5892-7040-LU

Module Model	Interface	Dimension of LEDS	Wire Material	LED Qty	Lens Model	Ra & CCT	LED Brand
M7A	X: Universal interface	A: 3535	A: CCC+VDE	9 9PCS	5892 Type II Short	7030: Ra≥70, 3000K	LU: Lumileds
			C: PSE			8040: Ra≥80, 4000K	XX: Others
			H: UL			...	
			X: Others				

Performance

Model	Power (W)	Driving current (mA)	Input voltage (Vdc)	Efficacy (lm/W)	Lumens (lm)
M7A-XAH	30	1050	24~31	118	3540

Note : Values shown are subject to ±5%~±8% tolerance; Cable default H type;

Efficacy above is based on calculated @84% power efficiency ; Light efficacy of 3000K is 5% lower than other CCTs.

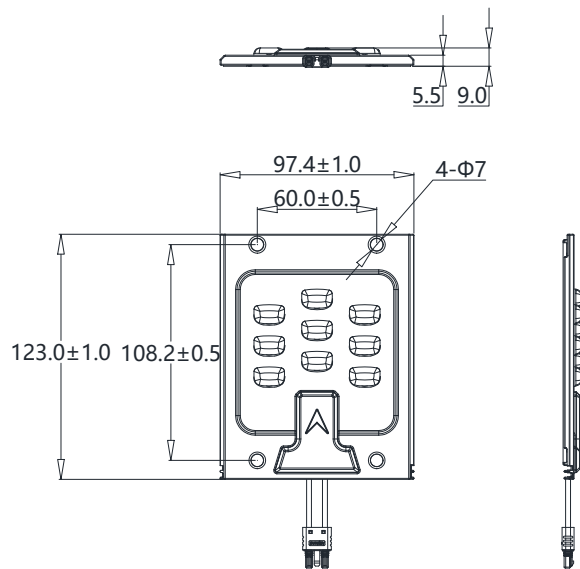
Dimensions

L (mm)	W (mm)	H (mm)
123.0	97.4	9.0

Tolerance: ±0.5mm

Available Lens Model

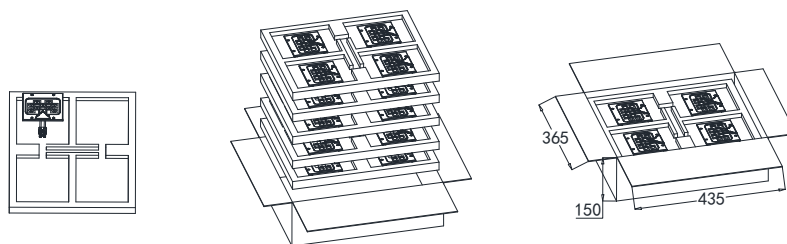
5892



Package Information

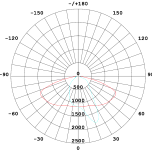
L (mm)	W (mm)	H (mm)	Module pcs/carton (PCS)	Package weight (kg)
435	365	150	20	3.6

Values shown are subject to ±5% tolerance.



Lighting distributions

T2S5892



Version History

Change Date	Version	Description of Change		
		Item	From	To
20180604	Ver2.0	Data sheets release (new version)	/	/
20190922	Ver2.1	Update of Company logo ; Improvement of Light efficacy.		