

# LED Module

## M7B

### Series



## Specification

**Working Environment:** -40°C~+50°C

**Storage Temperature:** -40°C~+50°C

**Relative humidity:** 10%~90%RH

**IP Rating of LED Light Engine:** IP67

**Color Temperature (CCT):** 3000K, 4000K, 5000K, 5700K

**Main Material:** Aluminum alloy 5052

**Module N.W.:** 0.145±0.007 kg

**Note :**

[1] Efficacy of 3000K is 5% lower than other CCTs.

[2] This module must be used for the luminaires with heat dissipation structures, shall not be used alone.

## Features

- Lumileds Luxeon TX LED;
- Super long lifetime(Lumen maintenance);
- Wide applicability for complex situations;
- High versatility apply for all sorts of lamps retrofit.

## Application

- Street lighting retrofit and application;
- Tunnel lighting retrofit and application;
- Garden lighting retrofit and application.

## Ordering Information

For example: M7B-XAH-18 -5882-7040-LU

Module Model	Interface	Dimension of LEDS	Wire Material	LED Qty	Lens Model	CCT	LED Brand
<b>M7B</b>	<b>X:</b> Universal interface	<b>A:</b> 3535	<b>A:</b> CCC+VDE <b>C:</b> PSE <b>H:</b> UL <b>X:</b> Others	<b>18</b> 18PCS	<b>5882</b> Type II Short	<b>7030:</b> Ra≥70, 3000K <b>8040:</b> Ra≥80, 4000K ...	<b>LU:</b> Lumileds <b>XX:</b> Others

## Performance

Model	Power (W)	Driving current (mA)	Input voltage (Vdc)	Efficacy (lm/W)	Lumens (lm)
M7B-XAH	30	530	48~61	130	3900

Note : Values shown are subject to ±5%~±8% tolerance; Cable default H type;

Efficacy above is based on calculated @84% power efficiency ; Light efficacy of 3000K is 5% lower than other CCTs.

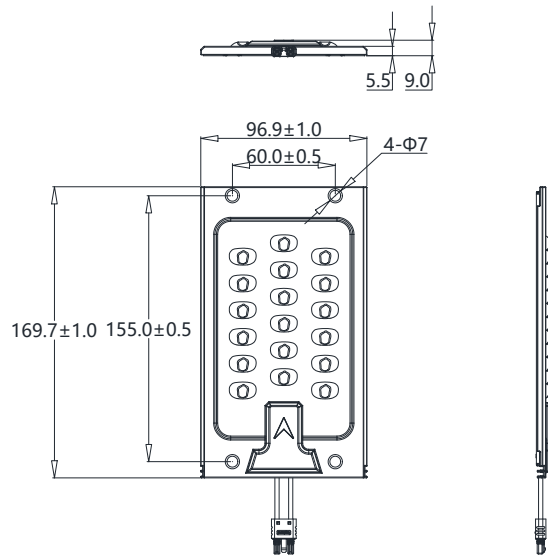
## Dimensions

L (mm)	W (mm)	H (mm)
169.7	96.9	9.0

Tolerance: ±0.5mm

### Available Lens Model

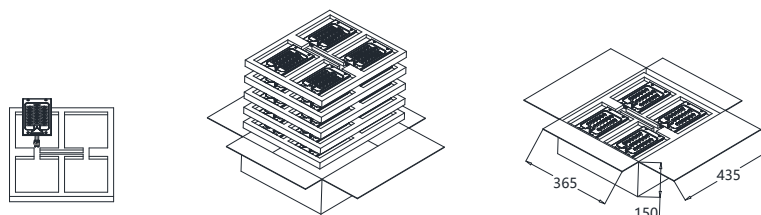
5882



## Package Information

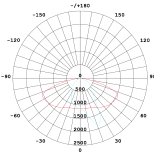
L (mm)	W (mm)	H (mm)	Module pcs/carton (PCS)	Package weight (kg)
435	365	150	20	4.4

Values shown are subject to ±5% tolerance.



## Lighting distributions

T2S5882



## Version History

Change Date	Version	Description of Change		
		Item	From	To
20180604	Ver2.0	Data sheets release (new version)	/	/
20190922	Ver2.1	Update of Company logo ; Improvement of Light efficacy.		