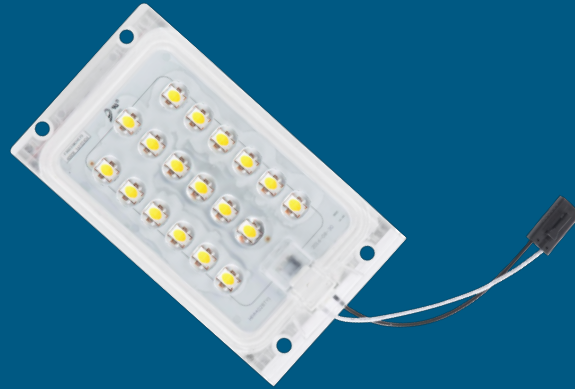


LED Module

M7B

Series



Specification

Working Environment: -40°C~+50°C

Storage Temperature: -40°C~+50°C

Relative humidity: 10%~90%RH

IP Rating of LED Light Engine: IP67

Color Temperature (CCT): 3000K, 4000K, 5000K, 5700K

Main Material: Aluminum alloy 5052

Module N.W.: 0.165±0.008 kg

Note :

[1] Efficacy of 3000K is 5% lower than other CCTs.

[2] This module must be used for the luminaires with heat dissipation structures, shall not be used alone.

Features

- Customized LEDs from a world-leading supplier;
- Super long lifetime(Lumen maintenance);
- Wide applicability for complex situations;
- High versatility apply for all sorts of lamps retrofit.

Application

- Street lighting retrofit and application;
- Tunnel lighting retrofit and application;
- Garden lighting retrofit and application.

Ordering Information

For example: M7B-XBH-18-5983-7040-CM

| Module Model | Interface | Dimension of LEDs | Wire Material | LED Qty | Lens Model | Ra & CCT | LED Brand |
|--------------|-------------------------------|-------------------|-------------------|-----------------|-----------------------------|---------------------------|--|
| M7B | X: Universal interface | B: 5050 | A: CCC+VDE | 18 18PCS | 1981 Type I Short | 7030: Ra≥70, 3000K | CM: Customized XX: Others |
| | | | C: PSE | | 5983 Tunnel lighting | 8040: Ra≥80, 4000K | |
| | | | H: UL | | ... | | |
| | | | X: Others | | | | |

Performance

| Model | Power (W) | Driving current (mA) | Input voltage (Vdc) | Efficacy (lm/W) | Lumens (lm) |
|---------|-----------|----------------------|---------------------|-----------------|-------------|
| M7B-XBH | 30 | 600 | 40~54 | 157 | 4710 |

Note : Values shown are subject to ±5%~±8% tolerance; Cable default H type;

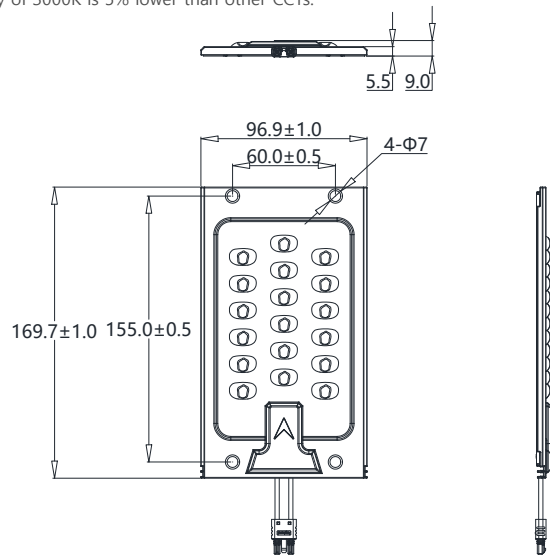
Efficacy above is based on calculated @84% power efficiency ; Light efficacy of 3000K is 5% lower than other CCTs.

Dimensions

| L (mm) | W (mm) | H (mm) |
|--------|--------|--------|
| 169.7 | 96.9 | 9.0 |

The height of the module is the maximum value.

Tolerance: ±0.5mm



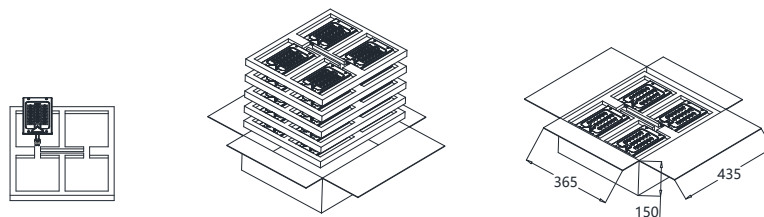
Available Lens Model

| | |
|------|------|
| 1981 | 5983 |
|------|------|

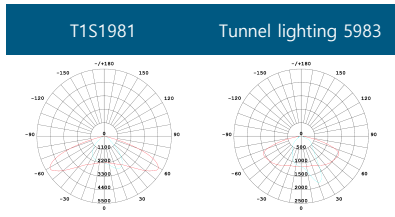
Package Information

| L (mm) | W (mm) | H (mm) | Module pcs/carton (PCS) | Package weight (kg) |
|--------|--------|--------|-------------------------|---------------------|
| 435 | 365 | 150 | 20 | 4.8 |

Values shown are subject to ±5% tolerance.



Lighting distributions



Version History

| Change Date | Version | Description of Change | | |
|-------------|---------|--|------|----|
| | | Item | From | To |
| 20180604 | Ver2.0 | Data sheets release (new version) | / | / |
| 20190922 | Ver2.1 | Update of Company logo ; Improvement of Light efficacy. | | |