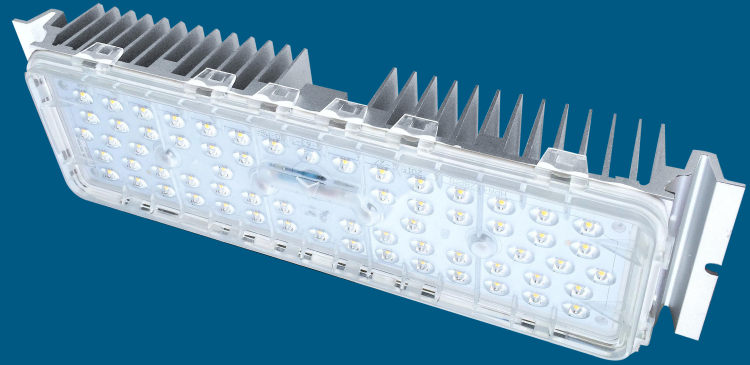


LED Module

M8D

Series



Specification

Working Environment: -40°C~+50°C

Storage Temperature: -40°C~+50°C

Relative humidity: 10%~90%RH

Typical value of pad temperature^[1]: 70°C

IP Rating of LED Light Engine: IP68

Impact Protection Level: IK09

Color Temperature (CCT)^[2]: 3000K, 4000K, 5000K, 5700K

Main Material: Aluminum 6063

Module N.W.: 0.50±0.03 kg

Note :

[1] Typical values of pad temperature is obtained based on 40W with a ambient temperature of 25°C.

[2] Efficacy of 3000K is 5% lower than other CCTs.

Features

- Lumileds Luxeon 3030;
- Super long lifetime(Lumen maintenance);
- Multiple lighting distributions available;
- Wide applicability for complex situations;
- High versatility apply for all sorts of lamps retrofit.

Application

- Street lighting retrofit and application;
- Factory lighting retrofit and application;
- Tunnel lighting retrofit and application;
- Sports lighting retrofit and application.

Ordering Information

For example: M8D-VCA-35-1321-7040-LU

Module Model	Interface	Dimension of LEDS	Wire Material	LED Qty	Lens Model		Ra & CCT	LED Brand
M8D	V: V-shape Groove	C: 3030	A: CCC+VDE C: PSE H: UL X: Others	35 35PCS	1324 Type II Short	1325 25 DEG	7030: Ra≥70, 3000K 8040: Ra≥80, 4000K ...	LU: Lumileds
				45 45PCS	2322 Type II Short (V)	2360 60 DEG		SN: Sanan
					5321 Type II Short	5340 40 DEG		XX: Others
					2321 Type II Short	5390 90 DEG		
					1321 Type III Medium	1310 Lambert Type		
		1390 Tunnel Lighting						

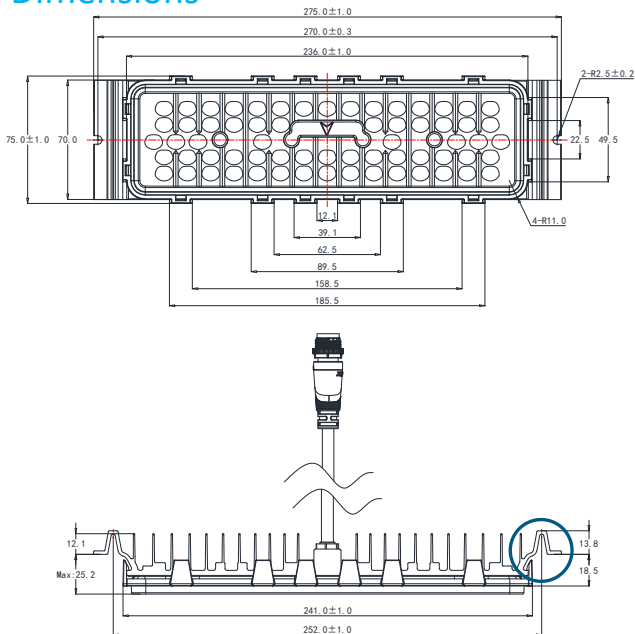
Performance

Model	Power (W)	Driving current (mA)	Input voltage (Vdc)	Efficacy (lm/W)	Lumens (lm)
M8D-VCA-35	30	700	38-47	127	3810
M8D-VCA-45	40	700	48-61	127	5080

Note : Values shown are subject to ±5%~±8% tolerance; Cable default A type;

Efficacy above is based on calculated @92% power efficiency ; Light efficacy of 3000K is 5% lower than other CCTs.

Dimensions

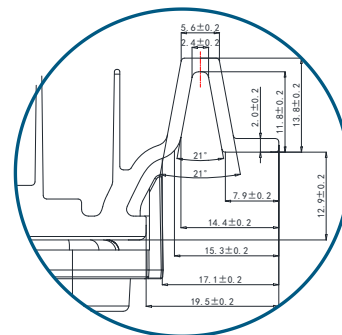


L (mm)	W (mm)	H (mm)
--------	--------	--------

275 75 Max39

The height of the module is the maximum value.

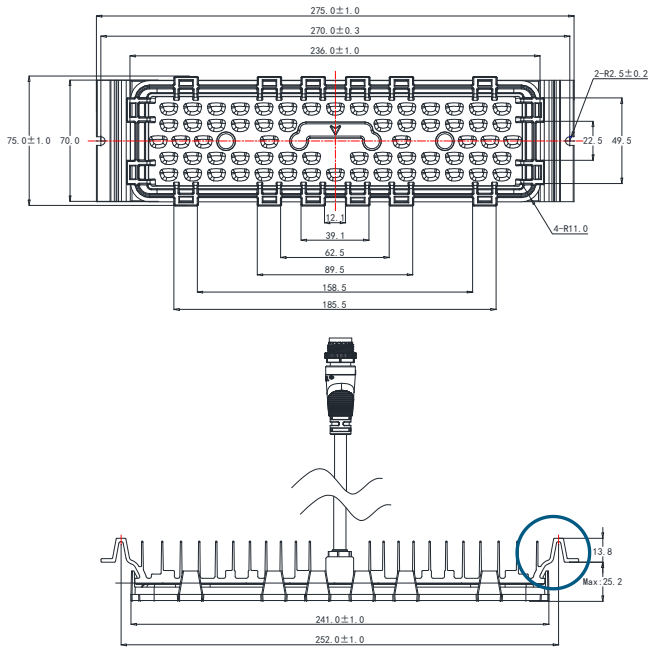
Tolerance: ±0.5mm



Available Lens Model

1321	1324	1390
1232	2322	5321

Dimensions

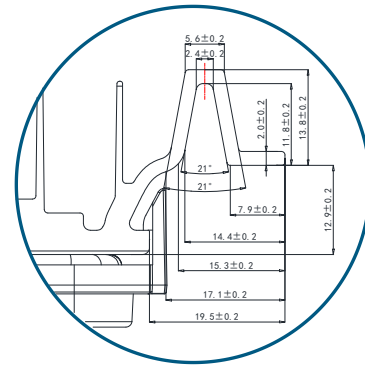


L (mm)	W (mm)	H (mm)
--------	--------	--------

275 75 Max39

The height of the module is the maximum value.

Tolerance: ±0.5mm



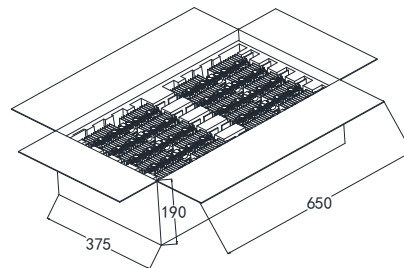
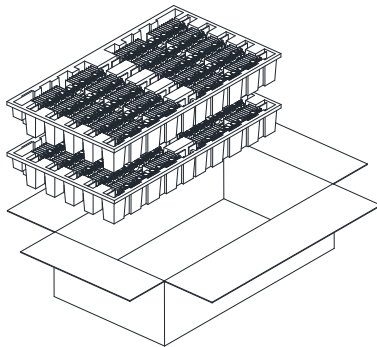
Available Lens Model

1310	1325	5340	2360
5390			

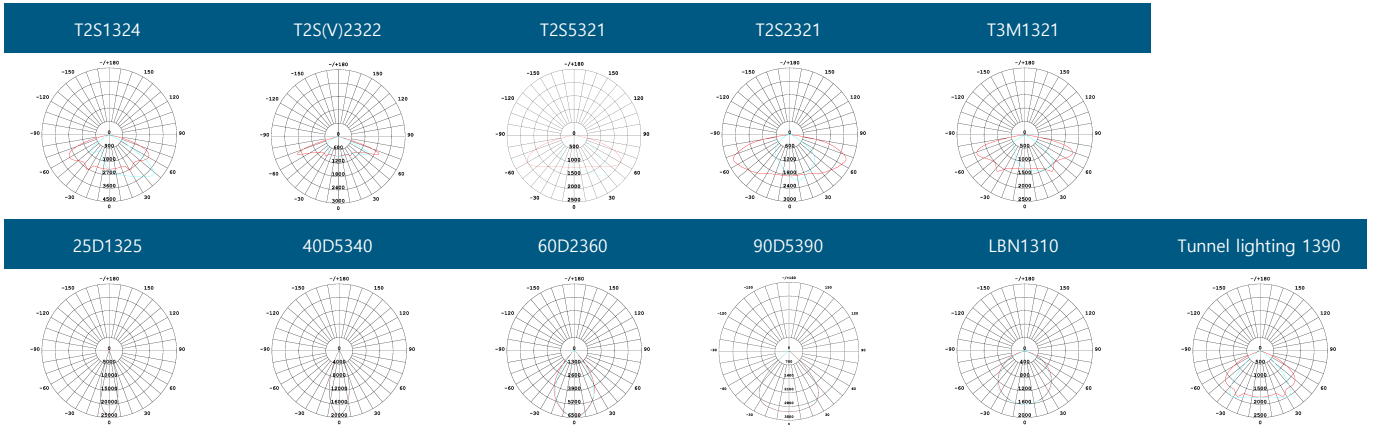
Package Information

L (mm)	W (mm)	H (mm)	Module pcs/carton (PCS)	Package weight (kg)
650	375	190	20	11.5

Values shown are subject to ±5% tolerance.



Lighting distributions



Version History

Change Date	Version	Description of Change		
		Item	From	To
20190905	Ver2.0	Data sheets release (new version) Update of luminous efficacy Optimized G.W of Module package	12.8kgs	11.5kgs