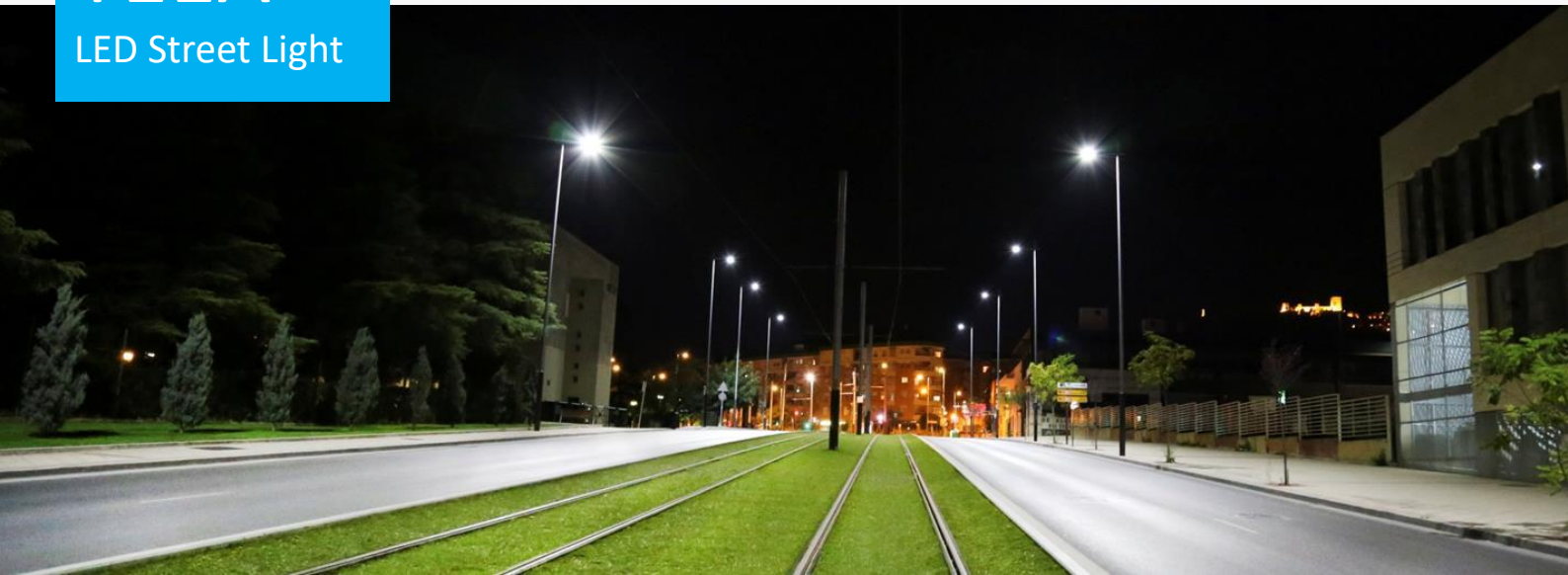


T11A

LED Street Light



Specifications

Input Voltage:	100 ~ 240Vac
Input Frequency:	50/60Hz
Power Factor (PF):	0.95
Surge Protection Level:	10kV line-earth
Operating Environment:	-40°C ~ +50°C, 10% ~ 90% RH
Color Temperature (CCT):	3000K, 4000K, 5000K, 5700K
Color Rendering Index (CRI):	≥70
Housing:	Die-cast Aluminum
IP Rating of LED Light Engine:	IP68
IP Rating of Luminaire:	IP67
Warranty:	5 Years Limited

Applications

- Roadway lighting
(Urban roads, residential areas, overpasses...)
- Public areas lighting
(Theme parks, squares, parking lots...)

Features

Construction

- Die-cast aluminum housing.
- Unique patented IP68 (highest protection level) LED light engines.
- Whole structure heating dissipation design with best thermal conduction and radiation.
- IP67 rated luminaire.

Distribution

- Ergonomic and dedicated lighting distributions are available for various roadway applications.

Finishing Colors



T11A

LED Street Light

Ordering Information

Example: T11A-2-100-M16B-VBA-18-2105-7040-CM-MO-GY

Luminary Type	Module Qty.	System Power	Module Type	Module Interface Type	LED Package	Cable Standard	LED Qty. per module
T Street light	1 1 modules	40 40W	M16B M16B module	V	A 3535	A CCC+VDE	18 18pcs
11A 11A series	2 2 modules	50 50W	M1A M1A module	V-shaped groove	B 5050	C PSE	28 28pcs
	M8B M8B module		C 3030	H UL	63 63pcs
	7 7 modules	420 420W				X OTHER	

Lens Code	CRI & CCT	Brand of LEDs	Driver Brand	Housing Colors
1107 Type I Short	3501 Type I Short	5323 Type I Short	7030 Ra≥70, 3000K	LU LUMILEDS
2105 Type II Short	3100 Type I Short	1324 Type II Short	7040 Ra≥70, 4000K	LN LUMINUS
2128 Type II Short	1312 Type II Short	2201 Type II Short	7050 Ra≥70, 5000K	CM CUSTOMIZATION
2111 Type II Medium	3702 Type II Medium	2321 Type II Short	7057 Ra≥70, 5700K	XX OTHER
3106 Type II Short	3910 Type III Medium	5321 Type II Short		
1113 Type III Short	5703 Type IV Medium	1321 Type III Medium		
2109 Type III Medium	3040 Type V Square			
2127 Type III Medium				
2040 Type V				
2114 Type V				
M16B, 5050 LEDs	M1A, 3535 LEDs	M8B, 3030 LEDs		

Performance

Model	Power (W)	5050 LEDs – 28pcs		5050 LEDs – 18pcs		3535 LEDs – 18pcs		3030 LEDs - 63pcs	
		Efficacy (lm/W)	Lumens (lm)	Efficacy (lm/W)	Lumens (lm)	Efficacy (lm/W)	Lumens (lm)	Efficacy (lm/W)	Lumens (lm)
T11A-1	40	168	6,720	152	6,080	130	5,200	135	5,400
	50	163	8,150	145	7,250	122	6,100	130	6,500
	60	155	9,300	133	7,980	117	7,020	122	7,320
T11A-2	80	175	14,000	160	12,800	137	10,960	140	11,200
	100	170	17,000	150	15,000	130	13,000	135	13,500
	120	163	19,560	140	16,800	122	14,640	127	15,240
T11A-3	120	175	21,000	160	19,200	137	16,440	140	16,800
	150	170	25,500	150	22,500	130	19,500	135	20,250
	180	163	29,340	140	25,200	122	21,960	127	22,860
T11A-4	160	175	28,000	160	25,600	137	21,920	140	22,400
	200	170	34,000	150	30,000	130	26,000	135	27,000
	240	163	39,120	140	33,600	122	29,280	127	30,480
T11A-5	200	175	35,000	160	32,000	137	27,400	140	28,000
	250	170	42,500	150	37,500	130	32,500	135	33,750
	300	163	48,900	140	42,000	122	36,600	127	38,100
T11A-6	240	175	42,000	160	38,400	137	32,880	140	33,600
	300	170	51,000	150	45,000	130	39,000	135	40,500
	360	163	58,680	140	50,400	122	43,920	127	45,720
T11A-7	280	175	49,000	160	44,800	137	38,360	140	39,200
	350	170	59,500	150	52,500	130	45,500	135	47,250
	420	163	68,460	140	58,800	122	51,240	127	53,340

*Above values are calculated based on the product with CCT over 3000K, values of 3000K are 5% lower than above values.

*Values shown are subject to ±5%~±8% tolerance.

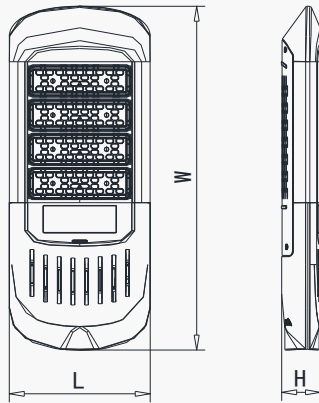
T11A

LED Street Light

Dimensions

Model	L (mm)	W (mm)	H (mm)	Available Pole O.D. (mm)	Max. Installation Depth (mm)	N.W.* (kg)
T11A-1	595	330	90	57~63	210	6.5
T11A-2	645	330	90	57~63	210	8.0
T11A-3	725	330	90	57~63	210	9.0
T11A-4	805	330	90	57~63	210	10.5
T11A-5	885	330	90	57~63	210	11.5
T11A-6	1065	330	90	57~63	210	13.0
T11A-7	1145	330	90	57~63	210	15.0

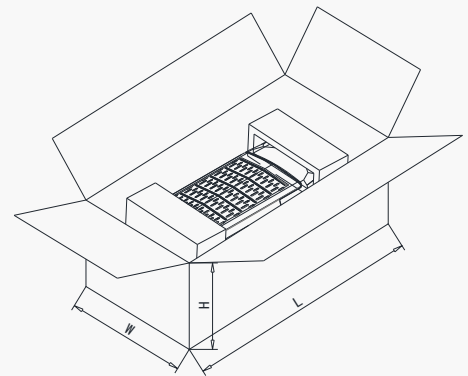
* Values shown are subject to ±5% tolerance.



Package Information

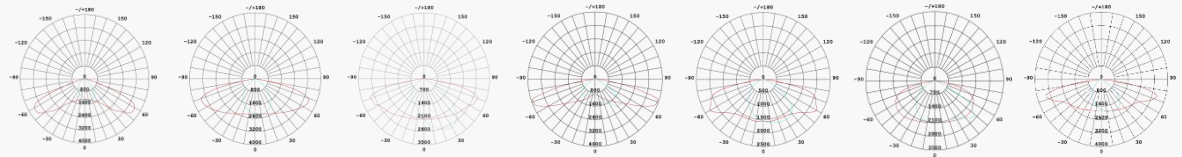
Model	L (mm)	W (mm)	H (mm)	G.W.* (kg)
T11A-1	690	430	170	7.8
T11A-2	740	430	170	9.3
T11A-3	820	430	170	10.4
T11A-4	900	430	170	12.0
T11A-5	980	430	170	13.1
T11A-6	1160	430	170	14.7
T11A-7	1240	430	170	16.8

* Values shown are subject to ±5% tolerance.



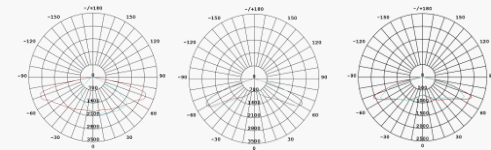
Distributions

M16B
5050 LEDs

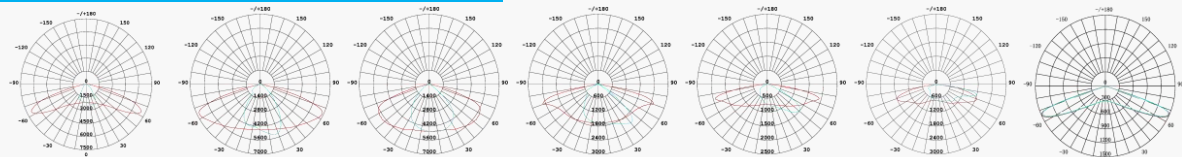


T1S1107 T2S2105 T2S2128 T2M2111 T2S3106 T3S1113 T3M2109

M1A
3535 LEDs

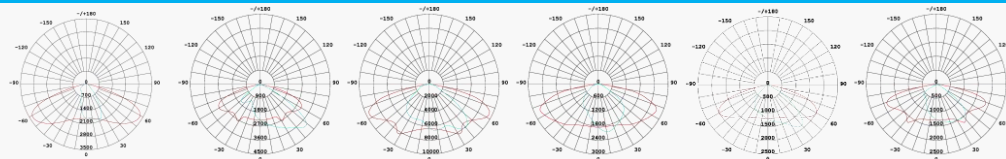


T3M2127 T5S2040 T5S2114



T1S3501 T1S3100 T2S21312 T2M3702 T3M3910 T4M5703 T5S3040

M8B
3030 LEDs



T1S5323 T2S1324 T2S2201 T2S2321 T2S5321 T3M1321

T11A

LED Street Light

Accessories



Model	Available Adapter	Available Pole O.D.	Available Installation Depth
T11A-1	PA2C	Φ57~63	≥80
T11A-2	PA3C	Φ61-67	≥120
T11A-3	PA3C	Φ61-67	≥120
T11A-4	PA3C	Φ61-67	≥120
T11A-5	PA3C	Φ61-67	≥120
T11A-6	PA3C	Φ61-67	≥120
T11A-7	/	/	/

Version History

Change Date	Version	Item	Description of Change	
			From	To
2019/05/22	Ver. 2.0	Datasheets release		