

# T19A

## LED Street Light



### Specifications

<b>Input Voltage:</b>	100 ~ 240Vac
<b>Input Frequency:</b>	50 / 60Hz
<b>Power Factor (PF):</b>	0.95
<b>Surge Protection Level:</b>	10kV line-earth
<b>Operating Environment:</b>	-40°C~ +50°C, 10% ~ 90% RH
<b>Color Temperature (CCT):</b>	3000K, 4000K, 5000K, 5700K
<b>Color Rendering Index (CRI):</b>	≥70
<b>Housing:</b>	Die-cast Aluminum
<b>IP Rating of LED Light Engine:</b>	IP68
<b>IP Rating of Electrical Compartment:</b>	IP66
<b>Impact Protection Level:</b>	IK08
<b>Warranty:</b>	5 Years Limited

### Applications

- Roadway lighting  
(Residential areas, overpasses, alleys...)
- Public areas lighting  
(Theme parks, squares, parking lots...)

### Features

#### Construction

- Die-cast aluminum housing.
- Latches provide easy, tool-less access to the electrical compartment.
- Unique patented IP68 LED light engines.
- Whole structure heating dissipation design with best thermal conduction and radiation.
- IP66 rated electrical compartment.

#### Distribution

- Ergonomic and dedicated lighting distributions are available for various roadway applications.

#### Control

- Optional NEMA receptacle & photocell/shorting cap.

### Finishing Colors

 Gray	 Black
 White	 Blue



# T19A

LED Street Light

## Ordering Information

Example: T19A-2-100-M16B-VBA-18-2105-7040-CM-MO-GY

Luminary Type	Module Qty.	System Power	Module Type	Module Interface Type	LED Package	Cable Standard	LED Qty. per module
<b>T</b> Street light	<b>1</b> 1 modules	<b>40</b> 40W	<b>M16B</b> M16B module	<b>V</b>	<b>A</b> 3535	<b>A</b> CCC+VDE	<b>18</b> 18pcs
<b>19A</b> 11A series	<b>2</b> 2 modules	<b>50</b> 50W	<b>M1A</b> M1A module	V-shaped groove	<b>B</b> 5050	<b>C</b> PSE	<b>28</b> 28pcs
	...	...	<b>M8B</b> M8B module		<b>C</b> 3030	<b>H</b> UL	<b>63</b> 63pcs
	<b>7</b> 7 modules	<b>420</b> 420W				<b>X</b> OTHER	

Lens Code	CRI & CCT	Brand of LEDs	Driver Brand	Housing Colors
<b>1107</b> Type I Short	<b>3501</b> Type I Short	<b>5323</b> Type I Short	<b>7030</b> Ra≥70, 3000K	<b>LU</b> LUMILEDS
<b>2105</b> Type II Short	<b>3100</b> Type I Short	<b>1324</b> Type II Short	<b>7040</b> Ra≥70, 4000K	<b>LN</b> LUMINUS
<b>2128</b> Type II Short	<b>1312</b> Type II Short	<b>2201</b> Type II Short	<b>7050</b> Ra≥70, 5000K	<b>CM</b> CUSTOMIZATION
<b>2111</b> Type II Medium	<b>3702</b> Type II Medium	<b>2321</b> Type II Short	<b>7057</b> Ra≥70, 5700K	<b>XX</b> OTHER
<b>3106</b> Type II Short	<b>3910</b> Type III Medium	<b>5321</b> Type II Short		
<b>1113</b> Type III Short	<b>5703</b> Type IV Medium	<b>1321</b> Type III Medium		
<b>2109</b> Type III Medium	<b>3040</b> Type V Square			
<b>2127</b> Type III Medium				
<b>2040</b> Type V				
<b>2114</b> Type V				
<b>M16B, 5050 LEDs</b>	<b>M1A, 3535 LEDs</b>	<b>M8B, 3030 LEDs</b>		

## Performance

Model	Power (W)	5050 LEDs – 28pcs		5050 LEDs – 18pcs		3535 LEDs – 18pcs		3030 LEDs - 63pcs	
		Efficacy (lm/W)	Lumens (lm)	Efficacy (lm/W)	Lumens (lm)	Efficacy (lm/W)	Lumens (lm)	Efficacy (lm/W)	Lumens (lm)
T19A-1	40	168	6,720	152	6,080	130	5,200	135	5,400
	50	163	8,150	145	7,250	122	6,100	130	6,500
	60	155	9,300	133	7,980	117	7,020	122	7,320
T19A-2	80	175	14,000	160	12,800	137	10,960	140	11,200
	100	170	17,000	150	15,000	130	13,000	135	13,500
	120	163	19,560	140	16,800	122	14,640	127	15,240
T19A-3	120	175	21,000	160	19,200	137	16,440	140	16,800
	150	170	25,500	150	22,500	130	19,500	135	20,250
	180	163	29,340	140	25,200	122	21,960	127	22,860
T19A-4	160	175	28,000	160	25,600	137	21,920	140	22,400
	200	170	34,000	150	30,000	130	26,000	135	27,000
	240	163	39,120	140	33,600	122	29,280	127	30,480
T19A-5	200	175	35,000	160	32,000	137	27,400	140	28,000
	250	170	42,500	150	37,500	130	32,500	135	33,750
	300	163	48,900	140	42,000	122	36,600	127	38,100
T19A-6	240	175	42,000	160	38,400	137	32,880	140	33,600
	300	170	51,000	150	45,000	130	39,000	135	40,500
	360	163	58,680	140	50,400	122	43,920	127	45,720
T19A-7	280	175	49,000	160	44,800	137	38,360	140	39,200
	350	170	59,500	150	52,500	130	45,500	135	47,250
	420	163	68,460	140	58,800	122	51,240	127	53,340

\*Above values are calculated based on the product with CCT over 3000K, values of 3000K are 5% lower than above values.

\*Values shown are subject to ±5%~±8% tolerance.

# T19A

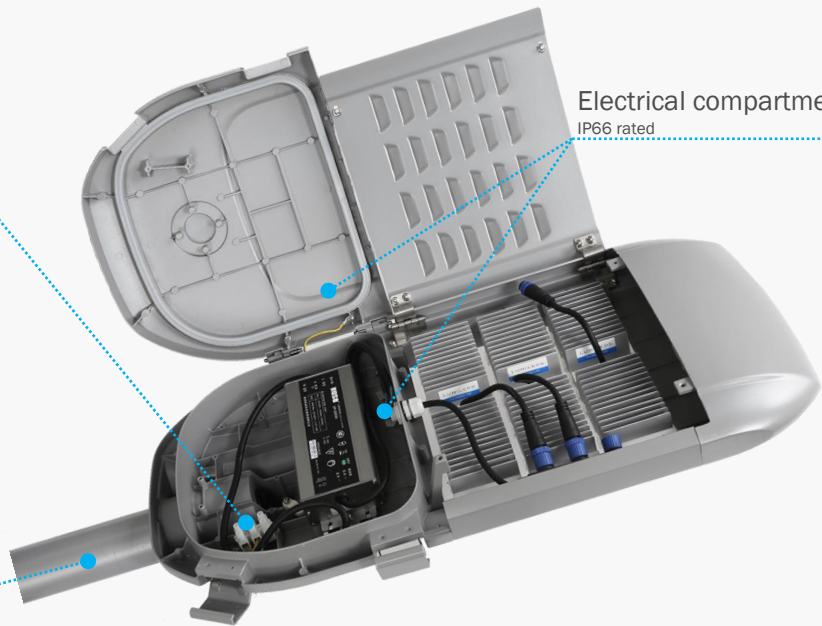
LED Street Light

## Design Features

**Terminal Block**  
Provide easy wire connection

**Electrical compartment**  
IP66 rated

**Mounting Options**  
Available pole O.D. 65±3mm  
Installation depth 97±5mm



## Dimensions

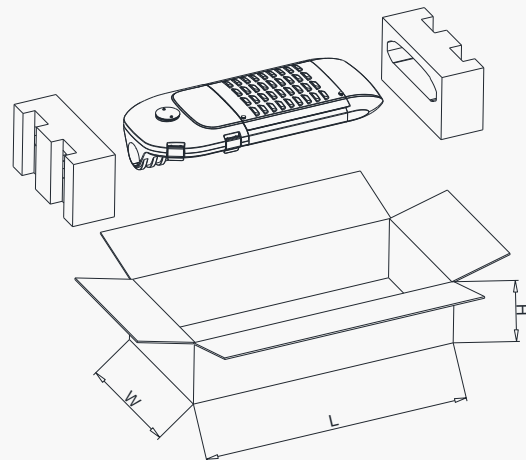
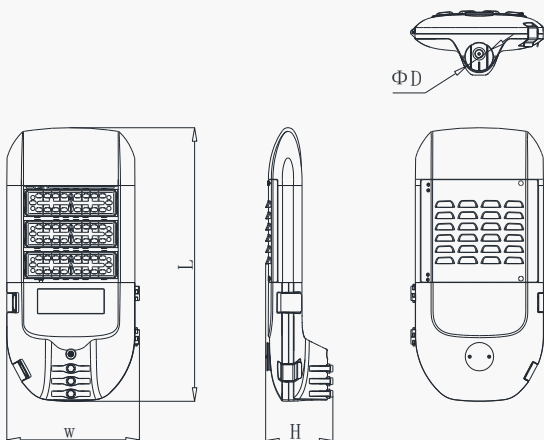
Model	L (mm)	W (mm)	H (mm)	Available Pole O.D. (mm)	N.W.* (kg)
T19A-1	575	345	175	62~68	6.2
T19A-2	625	345	175	62~68	7.3
T19A-3	705	345	175	62~68	8.5
T19A-4	785	345	175	62~68	9.7
T19A-5	865	345	175	62~68	11.3
T19A-6	945	345	175	62~68	12.8
T19A-7	1025	345	175	62~68	14.4

\* Values shown are subject to ±5% tolerance.

## Package Information

Model	L (mm)	W (mm)	H (mm)	G.W.* (kg)
T19A-1	660	410	230	7.7
T19A-2	710	410	230	8.9
T19A-3	780	410	230	10.2
T19A-4	870	410	230	11.7
T19A-5	950	410	230	13.0
T19A-6	1030	410	230	14.7
T19A-7	1110	410	230	16.4

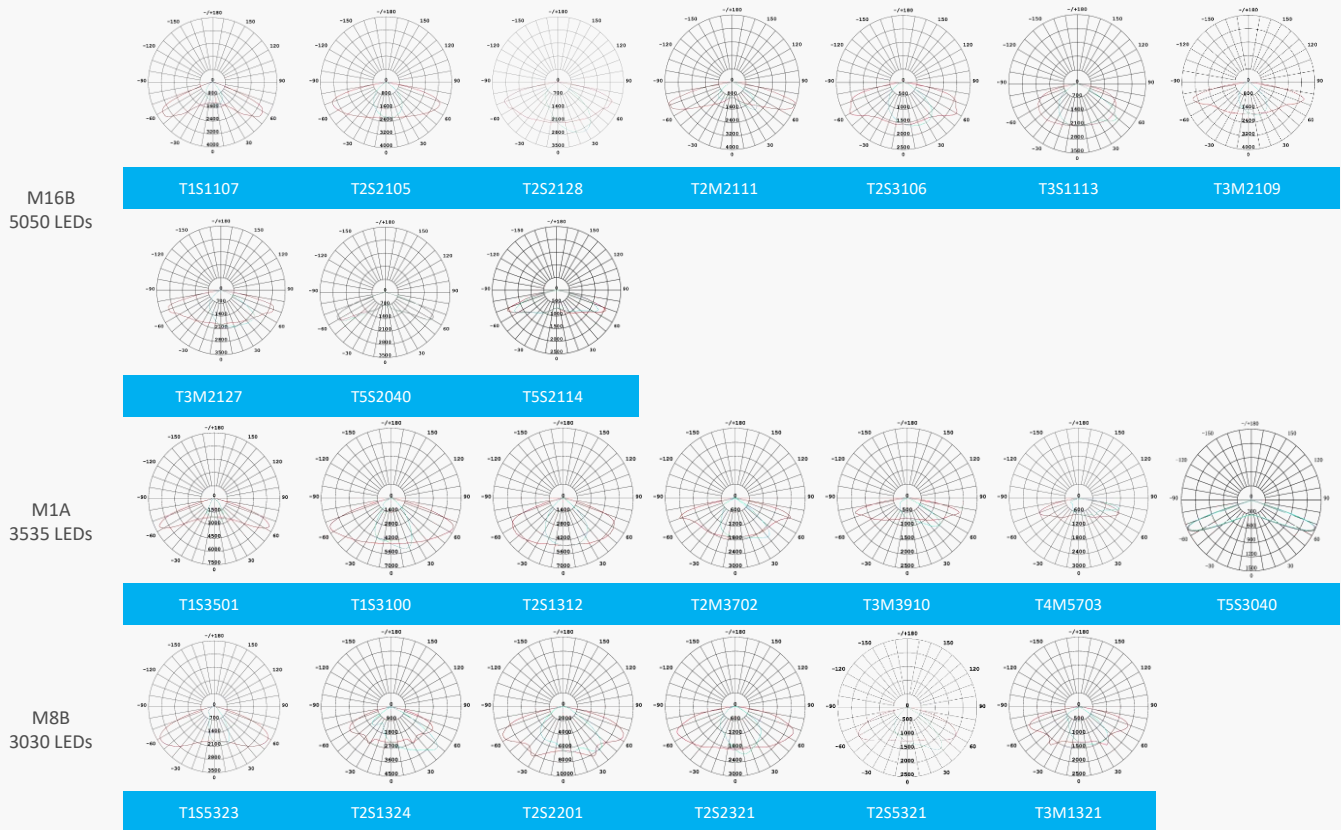
\* Values shown are subject to ±5% tolerance.



# T19A

LED Street Light

## Distributions



## Accessories



### Photocell



Model	Available Adapter	Available Pole O.D.	Available Installation Depth
T19A-1	PA2A	Φ57~63	≥80
T19A-2	PA2A	Φ57~63	≥80
T19A-3	PA3A	Φ61-67	≥120
T19A-4	PA3A	Φ61-67	≥120
T19A-5	PA3A	Φ61-67	≥120
T19A-6	/	/	/
T19A-7	/	/	/

Photocell	Shorting Cap

## Version History

Change Date	Version	Item	Description of Change	
			From	To
2019/05/28	/	Datasheet release		
2020/12/23	2.1	Package Info. of T19A-3	790*410*230	780*410*230