

# T1D

## LED Street Light



### Specifications

<b>Input Voltage:</b>	100 ~ 277Vac
<b>Input Frequency:</b>	50 / 60Hz
<b>Power Factor (PF):</b>	0.95
<b>Surge Protection Level:</b>	10kV line-earth
<b>Operating Environment:</b>	-40°C ~ +50°C, 10% ~ 90% RH
<b>Color Temperature (CCT)*:</b>	3000K, 4000K, 5000K, 5700K
<b>Color Rendering Index (CRI):</b>	≥70
<b>Housing:</b>	Die-cast Aluminum
<b>IP Rating of LED Light Engine:</b>	IP68
<b>IP Rating of Electrical Compartment:</b>	IP65
<b>Warranty:</b>	5 Years Limited

### Applications

- Roadway lighting  
(Residential areas, overpasses, alleys...)
- Public areas lighting  
(Theme parks, squares, parking lots...)

### Features

#### Construction

- Die-cast aluminum housing.
- Unique patented IP68 (highest protection level) LED light engines.
- Whole structure heating dissipation design with best thermal conduction and radiation.
- IP65 rated electrical compartment.

#### Distribution

- Ergonomic and dedicated lighting distributions are available for various roadway applications.

#### Control

- Optional NEMA receptacle & photocell/shorting cap.

#### Mounting

- Built-in  $\pm 5^\circ$  inclination in steps of  $2.5^\circ$ .

### Finishing Colors



# T1D

LED Street Light

## Ordering Information

Example: T1D-N1-50-CA-63-2326-7040-LU-MO-GY

Luminary Type	Module Qty.	System Power	LEDs Type	Cable Type	Qty. of LEDs	LEDs Code
<b>T</b> Street light <b>1D</b> 1D series	<b>N1</b> 1pcs Integral LED module	<b>40</b> 40W <b>50</b> 50W <b>60</b> 60W	<b>A</b> 3535 <b>B</b> 5050 <b>C</b> 3030	<b>A</b> CCC+VDE <b>C</b> PSE <b>H</b> UL <b>X</b> OTHER	<b>18</b> 18pcs <b>28</b> 28pcs <b>63</b> 63pcs	<b>1502</b> Type I Short <b>3101</b> Type I Short <b>1911</b> Type III Medium <b>3535</b> LEDs
Lens Code	CRI	CCT	Brand of LEDs	Driver Brand	Housing Color	
<b>2344</b> Type II Short	<b>2326</b> Type I Short	<b>60</b> Ra≥60 <b>70</b> Ra≥70 <b>80</b> Ra≥80 <b>90</b> Ra≥90	<b>30</b> 3000K <b>40</b> 4000K <b>50</b> 5000K <b>57</b> 5700K	<b>LU</b> LUMILEDS <b>LN</b> LUMINUS <b>CM</b> CUSTOMIZATION <b>XX</b> OTHER	<b>IN</b> INVENTRONICS <b>MO</b> MOSO <b>XX</b> OTHER	<b>BK</b> Black <b>WH</b> White <b>BU</b> Blue <b>GY</b> Gray
<b>5050</b> LEDs	<b>3030</b> LEDs					

## Performance

Model	Power (W)	5050 LEDs-28pcs		3535 LEDs-18pcs		3030 LEDs-63pcs	
		Efficacy (lm/W)	Lumens (lm)	Efficacy (lm/W)	Lumens (lm)	Efficacy (lm/W)	Lumens (lm)
T1D	40	168	6,720	130	5,200	135	5,400
	50	163	8,150	122	6,100	130	6,500
	60	155	9,300	117	7,020	122	7,320

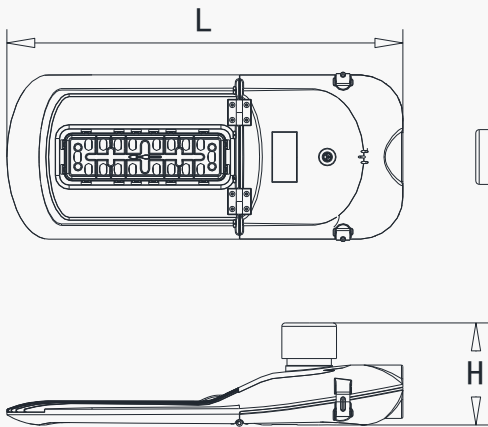
\*Above values are calculated based on the product with CCT over 3000K, values of 3000K are 5% lower than above values.

\*Values shown are subject to ±5%~±8% tolerance.

## Dimensions

Model	L (mm)	W (mm)	H (mm)	Available Pole O.D. (mm)	Max. Installation Depth (mm)	N.W.* (kg)
T1D	580	250	150	57~63	89	4.0

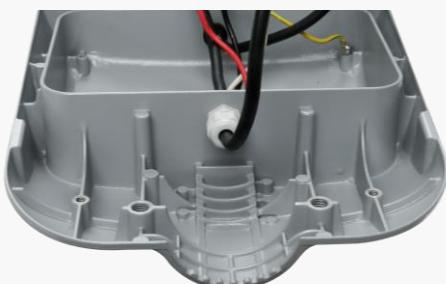
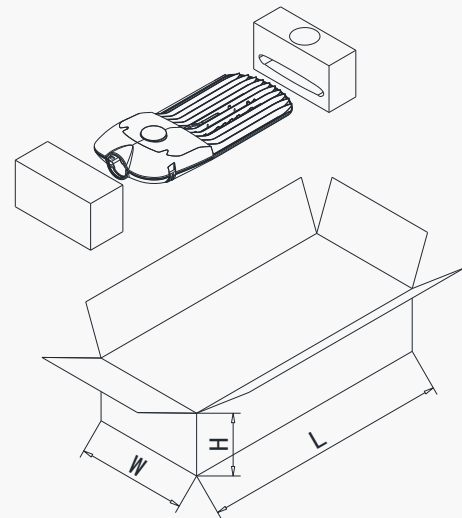
Note: Values shown are subject to ±5% tolerance.



## Package Information

Model	L (mm)	W (mm)	H (mm)	G.W.* (kg)
T1D	655	290	165	4.5

Note: Values shown are subject to ±5% tolerance.

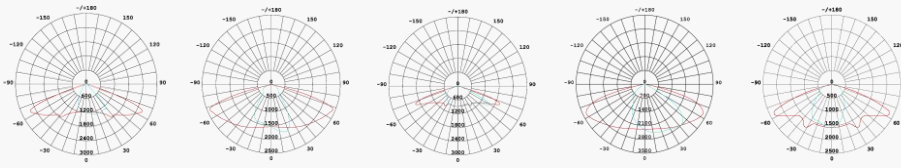


Built-in ±5° inclination in steps of 2.5°

# T1D

LED Street Light

## Distributions



T1S1502	T1S3101	T3M1911	T2S2344	T1S2326
3535 LEDs			5050 LEDs	3030 LEDs

## Accessories

Photocell Options



Photocell



Shorting Cap

Mounting Adaptor Options



PA Series

## Version History

Change Date	Version	Item	Description of Change	
			From	To
2019/03/11	/	Datasheet release		