

T1P

LED Street Light



Specifications

Input Voltage:	100 ~ 240Vac
Input Frequency:	50/60Hz
Power Factor (PF):	0.95
Surge Protection Level:	10kV line-earth
Operating Environment:	-40°C ~ +50°C, 10% ~ 90% RH
Color Temperature (CCT):	3000K, 4000K, 5000K, 5700K
Color Rendering Index (CRI):	≥70
Housing:	Die-cast Aluminum
IP Rating of LED Light Engine:	IP68
IP Rating of Luminaire:	IP67
Warranty:	5 Years Limited

Applications

- Roadway lighting
(Urban roads, residential areas, overpasses...)
- Public areas lighting
(Theme parks, squares, parking lots...)

Features

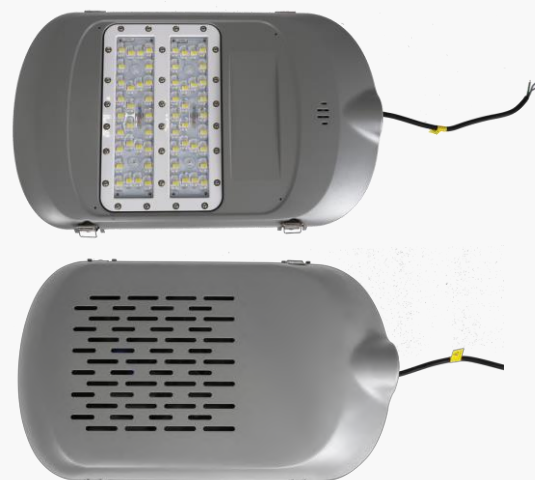
Construction

- Die-cast aluminum housing.
- Unique patented IP68 (highest protection level) LED light engines.
- Whole structure heating dissipation design with best thermal conduction and radiation.
- IP67 rated luminaire.

Distribution

- Ergonomic and dedicated lighting distributions are available for various roadway applications.

Finishing Colors



T1P

LED Street Light

Ordering Information

Example: T1P-N2-100-BA-18-2105-7040-CM-IN-GY

Luminary Type	Module Qty.	System Power	LEDs Type	Cable Type	Qty. of LEDs	LEDs Code
T Street light 1P 1P series	N1 1pcs Integral LED module N2 2pcs Integral LED module	40 40W 50 50W ... 120W 120W	B 5050	A CCC+VDE C PSE H UL X OTHER	18 18pcs 28 28pcs	1107 Type I Short 2105 Type II Short 2128 Type II Short 2111 Type II Medium 3106 Type II Short 1113 Type III Short 2109 Type III Medium 2127 Type III Medium 2040 Type V 2114 Type V
CRI	CCT	Brand of LEDs	Driver Brand	Housing Color		
60 Ra≥60 70 Ra≥70 80 Ra≥80 90 Ra≥90	30 3000K 40 4000K 50 5000K 57 5700K	LU LUMILEDS LN LUMINUS CM CUSTOMIZATION XX OTHER	IN INVENTRONICS MO MOSO XX OTHER	BK Black WH White BU Blue GY Gray		

Performance

Model	Power (W)	5050 LEDs – 28pcs		5050 LEDs – 18pcs	
		Efficacy (lm/W)	Lumens (lm)	Efficacy (lm/W)	Lumens (lm)
T1P-1	40	168	6,720	152	6,080
	50	163	8,150	145	7,250
	60	155	9,300	133	7,980
T1P-2	80	175	14,000	160	12,800
	100	170	17,000	150	15,000
	120	163	19,560	140	16,800

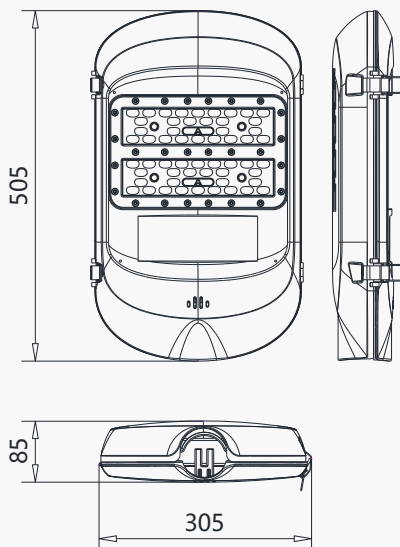
*Above values are calculated based on the product with CCT over 3000K, values of 3000K are 5% lower than above values.

*Values shown are subject to ±5%~±8% tolerance.

Dimensions

Model	L (mm)	W (mm)	H (mm)	ΦD (mm)	Max. Installation Depth (mm)	N.W.* (kg)
T1P-1	505	305	85	Φ57~63	120	4.0
T1P-2	505	305	85	Φ57~63	120	4.2

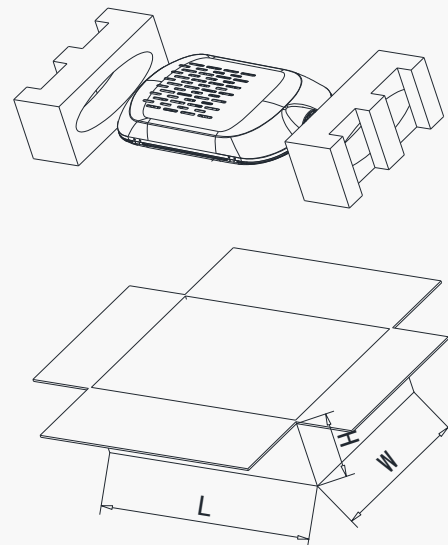
* Values shown are subject to ±5% tolerance.



Package Information

Model	L (mm)	W (mm)	H (mm)	G.W.* (kg)
T1P-1	595	380	175	5.0
T1P-2	595	380	175	5.2

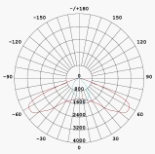
* Values shown are subject to ±5% tolerance.



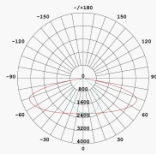
T1P

LED Street Light

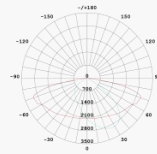
Distributions



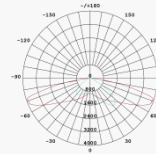
T1S1107



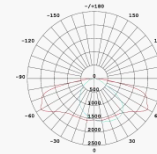
T2S2105



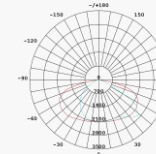
T2S2128



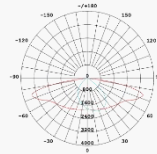
T2M2111



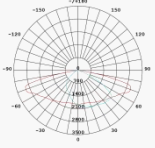
T2S3106



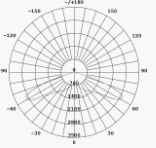
T3S1113



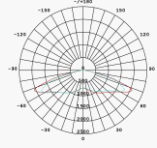
T3M2109



T3M2127



T5S2040



T5S2114

Accessories



Model	Available Adapter	Available Pole O.D.	Available Installation Depth
T1P	PA2A	Φ57~63	≥80

Version History

Change Date	Version	Item	Description of Change	
			From	To
2019/03/20	Ver. 2.0	Datasheets release		