

T1Q

LED Street Light



Specifications

Input Voltage:	100 ~ 240Vac
Input Frequency:	50 / 60Hz
Power Factor (PF):	0.95
Surge Protection Level:	10kV line-earth
Operating Environment:	-40°C ~ +50°C, 10% ~ 90% RH
Color Temperature (CCT)*:	3000K, 4000K, 5000K, 5700K
Color Rendering Index (CRI):	≥70
Housing:	Die-cast Aluminum
IP Rating of LED Light Engine:	IP68
IP Rating of Luminaire:	IP67
Warranty:	5 Years Limited

Applications

- Roadway lighting
(Residential areas, overpasses, alleys...)
- Public areas lighting
(Theme parks, squares, parking lots...)

Features

Construction

- Die-cast aluminum housing.
- Unique patented IP68 (highest protection level) LED light engines.
- Whole structure heating dissipation design with best thermal conduction and radiation.
- IP67 rated luminaire.

Distribution

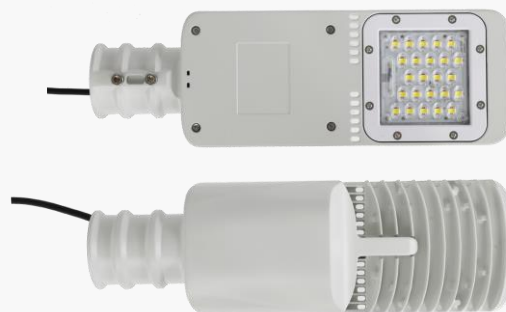
- Ergonomic and dedicated lighting distributions are available for various roadway applications.

Control

- Sensor available (on/off).

Finishing Colors

	Gray		Black
	White		Dark Gray



T1Q

LED Street Light

Ordering Information

Example: T1Q-N1-60-BA-24-2210-7040-CM-MO-GY

Luminary Type	Module Qty.	System Power	LEDs Type	Cable Type	Qty. of LEDs	
T Street light	N1 1pcs Integral LED module	50 50W	B 5050	A CCC+VDE	24 24pcs	
1Q 1Q series		60 60W	C 3030	C PSE H UL X OTHER	63 63pcs	
Lens Code	CRI	CCT	Brand of LEDs	Driver Brand	Housing Color	
2240 Type III Medium	2213 Type I Short	60 Ra≥60	30 3000K	LU LUMILEDS	IN INVENTRONICS	BK Black
2219 Type II Medium	1396 Type II Short	70 Ra≥70	40 4000K	LN LUMINUS	MO MOSO	WH White
2210 Type II Short	2397 Type III Medium	80 Ra≥80	50 5000K	CM CUSTOMIZATION	XX OTHER	BU Blue
5050 LEDs	3030 LEDs	90 Ra≥90	57 5700K	XX OTHER		GY Gray

Performance

Model	Power (W)	5050 LEDs		3030 LEDs	
		Efficacy (lm/W)	Lumens (lm)	Efficacy (lm/W)	Lumens (lm)
T1Q	50	157	7,850	130	6,500
	60	150	9,000	122	7,320

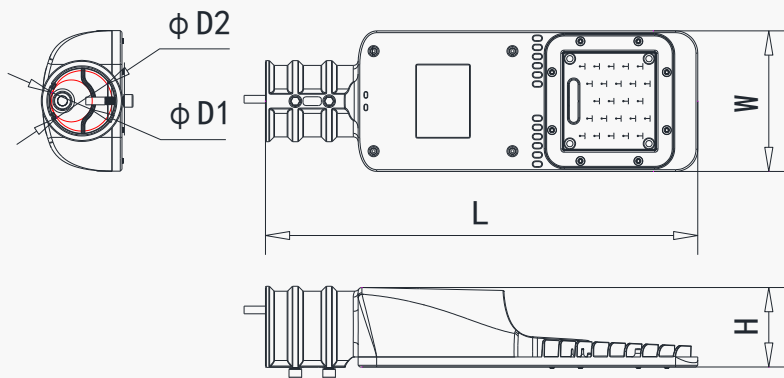
*Above values are calculated based on the product with CCT over 3000K, values of 3000K are 5% lower than above values.

*Values shown are subject to ±5%~±8% tolerance.

Dimensions

Model	L (mm)	W (mm)	H (mm)	Available Pole O.D. (mm)	Mounting Depth (mm)	N.W.* (kg)
T1Q	450	145	85	D1 Φ37~43	96	2.7
				D2 Φ57~63	80	

* Values shown are subject to ±5% tolerance.

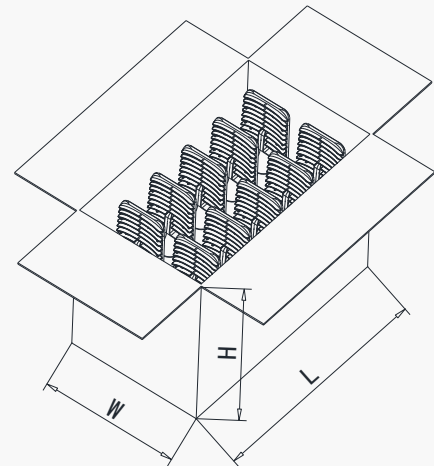


Package Information

Model	L (mm)	W (mm)	H (mm)	G.W.* (kg)
T1Q	725	425	515	27.5

* Each master carton included 10pcs T1Q luminaires.

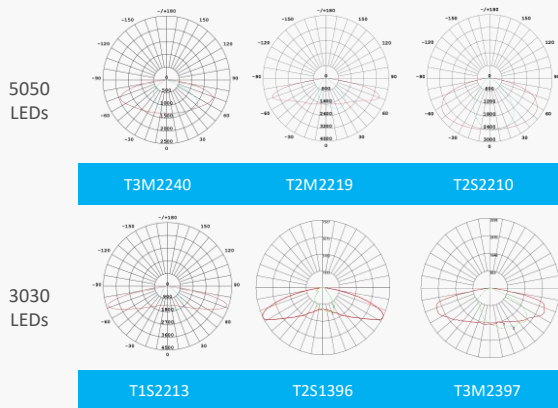
* Values shown are subject to ±5% tolerance.



T1Q

LED Street Light

Distributions



Accessories

Mounting Adaptor Options



PA Series

Version History

Change Date	Version	Item	Description of Change	
			From	To
2019/03/21	/	Datasheet release		
2019/07/18	Ver.2.1	Efficacy of 5050 LEDs	Updated	
2020/11/14	Ver.2.2	Finishing colors	Blue	Dark gray