

# T29A

## LED Street Light



### Specifications

<b>Input Voltage:</b>	120 ~ 240Vac
<b>Input Frequency:</b>	50 / 60Hz
<b>Power Factor (PF):</b>	0.95
<b>Surge Protection Level:</b>	10kV line-earth
<b>Operating Environment:</b>	-40°C ~ +50°C, 10% ~ 90% RH
<b>Color Temperature (CCT)*:</b>	3000K, 4000K, 5000K, 5700K
<b>Color Rendering Index (CRI):</b>	≥70
<b>Housing:</b>	Die-cast Aluminum
<b>IP Rating of LED Light Engine:</b>	IP68
<b>IP Rating of Electrical Compartment:</b>	IP66
<b>Impact Protection Level:</b>	IK09
<b>Warranty:</b>	5 Years Limited

### Applications

- Roadway lighting  
(Residential areas, overpasses, alleys...)
- Public areas lighting  
(Theme parks, squares, parking lots...)

### Features

#### Construction

- Die-cast aluminum housing.
- Unique patented IP68 (highest protection level) LED light engines.
- Whole structure heating dissipation design with best thermal conduction and radiation.
- IP66 rated electrical compartment.



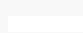
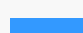
#### Distribution

- Ergonomic and dedicated lighting distributions are available for various roadway applications.

#### Control

- Optional NEMA receptacle & photocell/shorting cap.

### Finishing Colors

	Gray		Black
	White		Blue



# T29A

LED Street Light

## Ordering Information

Example: T29A-N1-40-BA-12-2209-7040-CM-IN-GY

Luminary Type	Module Qty.	System Power	LEDs Type	Cable Type	Qty. of LEDs
<b>T</b> Street light <b>29A</b> 29A series	<b>N1</b> 1pcs Integral LED module	<b>20</b> 20W <b>30</b> 30W <b>40</b> 40W	<b>B</b> 5050	<b>A</b> CCC+VDE <b>C</b> PSE <b>H</b> UL <b>X</b> OTHER	<b>12</b> 12pcs
Lens Code	CRI	CCT	Brand of LEDs	Driver Brand	Housing Color
<b>2209</b> Type II Long <b>1209</b> Type I Short <b>2223</b> Type II Medium	<b>60</b> Ra≥60 <b>70</b> Ra≥70 <b>80</b> Ra≥80 <b>90</b> Ra≥90	<b>30</b> 3000K <b>40</b> 4000K <b>50</b> 5000K <b>57</b> 5700K	<b>LU</b> LUMILEDS <b>LN</b> LUMINUS <b>CM</b> CUSTOMIZATION <b>XX</b> OTHER	<b>IN</b> INVENTRONICS <b>XX</b> OTHER	<b>BK</b> Black <b>WH</b> White <b>BU</b> Blue <b>GY</b> Gray

## Performance

Model	Power (W)	Efficacy (lm/W)	Lumens (lm)
T29A	20	145	2,900
	30	140	4,200
	40	130	5,200

\*Above values are calculated based on the product with CCT over 3000K, values of 3000K are 5% lower than above values.

## Dimensions

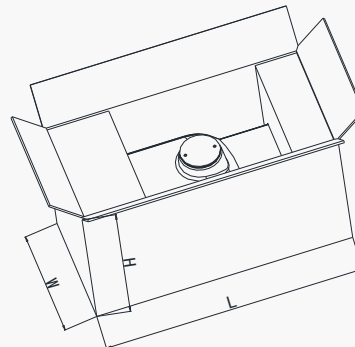
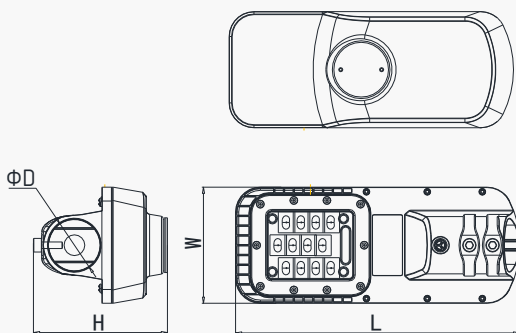
Model	L (mm)	W (mm)	H (mm)	ΦD (mm)	Max. Installation Depth (mm)	N.W.* (kg)
T29A	345	140	165	50~60	80	2.6

Note: Values shown are subject to ±5% tolerance.

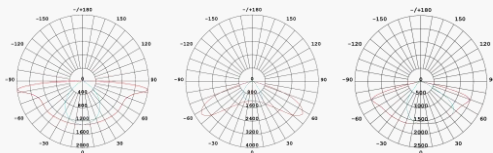
## Package Information

Model	L (mm)	W (mm)	H (mm)	G.W.* (kg)
T29A	435	215	250	3.2

Note: Values shown are subject to ±5% tolerance.



## Distributions



T2L2209

T1S1209

T2M2223

## Accessories

Photocell Options



Photocell



Shorting Cap

Mounting Adaptor Options



PA Series

## Version History

Change Date	Version	Description of Change		
		Item	From	To
2019/05/22	Ver. 2.0	Datasheets release		