

# T29C

## LED Street Light



### Specifications

<b>Input Voltage:</b>	100 ~ 277Vac
<b>Input Frequency:</b>	50 / 60Hz
<b>Power Factor (PF):</b>	0.95
<b>Surge Protection Level:</b>	10kV line-earth
<b>Operating Environment:</b>	-40°C ~ +50°C, 10% ~ 90% RH
<b>Color Temperature (CCT):</b>	3000K, 4000K, 5000K, 5700K
<b>Color Rendering Index (CRI):</b>	≥70
<b>Housing:</b>	Die-cast Aluminum
<b>IP Rating of LED Light Engine:</b>	IP68
<b>IP Rating of Electrical Compartment:</b>	IP66
<b>Impact Protection Level:</b>	IK09
<b>Warranty:</b>	5 Years Limited

### Applications

- Roadway lighting  
(Residential areas, overpasses, alleys...)
- Public areas lighting  
(Theme parks, squares, parking lots...)

### Features

#### Construction

- Die-cast aluminum housing.
- Unique patented IP68 LED light engines.
- Whole structure heating dissipation design with best thermal conduction and radiation.
- IP66 rated electrical compartment.

#### Distribution

- Ergonomic and dedicated lighting distributions are available for various roadway applications.

#### Control

- Optional NEMA receptacle & photocell/shorting cap.

### Finishing Colors

	Gray		Black
	White		Blue



# T29C

LED Street Light

## Ordering Information

Example: T29C-N2-100-BA-18-2105-7040-CM-MO-GY

Luminary Type	Module Qty.	System Power	LED Package	Cable Standard	LED Qty. per module	
<b>T</b> Street light <b>29C</b> 29C series	<b>N2</b> 2pcs Integral LED module	<b>80</b> 80W <b>100</b> 100W <b>120</b> 120W	<b>B</b> 5050 <b>C</b> 3030	<b>A</b> CCC+VDE <b>C</b> PSE <b>H</b> UL <b>X</b> OTHER	<b>18</b> 18pcs <b>28</b> 28pcs <b>63</b> 63pcs	
Lens Code		CRI & CCT	Brand of LEDs	Driver Brand	Housing Color	
<b>1107</b> Type I Short <b>2105</b> Type II Short <b>2128</b> Type II Short <b>2111</b> Type II Medium <b>3106</b> Type II Short	<b>1113</b> Type III Short <b>2109</b> Type III Medium <b>2127</b> Type III Medium <b>2040</b> Type V <b>2114</b> Type V	<b>2340</b> Type I Short <b>1397</b> Type II Short <b>2398</b> Type III Short	<b>7030</b> Ra≥70, 3000K <b>7040</b> Ra≥70, 4000K <b>7050</b> Ra≥70, 5000K <b>7057</b> Ra≥70, 5700K	<b>LU</b> LUMILEDS <b>LN</b> LUMINUS <b>CM</b> CUSTOMIZATION <b>XX</b> OTHER	<b>IN</b> INVENTRONICS <b>MO</b> MOSO <b>XX</b> OTHER	<b>BK</b> Black <b>WH</b> White <b>BU</b> Blue <b>GY</b> Gray
<b>5050 LEDs</b>		<b>3030 LEDs</b>				

## Performance

Model	Power (W)	5050 LEDs – 28pcs		5050 LEDs – 18pcs		3030 LEDs - 63pcs	
		Efficacy (lm/W)	Efficacy (lm/W)	Efficacy (lm/W)	Lumens (lm)	Efficacy (lm/W)	Lumens (lm)
T29C-N2	80	175	14,000	160	12,800	140	11,200
	100	170	17,000	150	15,000	135	13,500
	120	163	19,560	140	16,800	127	15,240

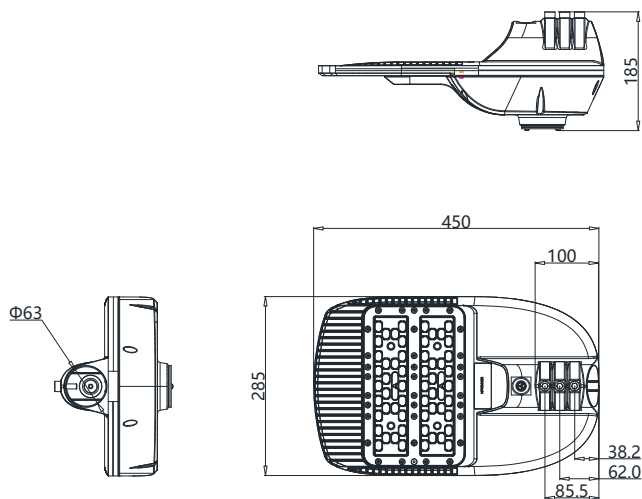
\*Above values are calculated based on the product with CCT over 3000K, values of 3000K are 5% lower than above values.

\*Values shown are subject to ±5%~±8% tolerance.

## Dimensions

Model	L (mm)	W (mm)	H (mm)	ΦD (mm)	Pole Diameter (mm)	N.W.* (kg)
T29C	450	285	185	63	Φ55~61	5.7

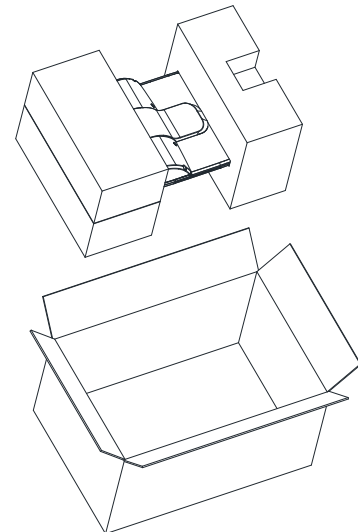
Note: Values shown are subject to ±5% tolerance.



## Package Information

Model	L (mm)	W (mm)	H (mm)	G.W.* (kg)
T29C	560	385	300	6.9

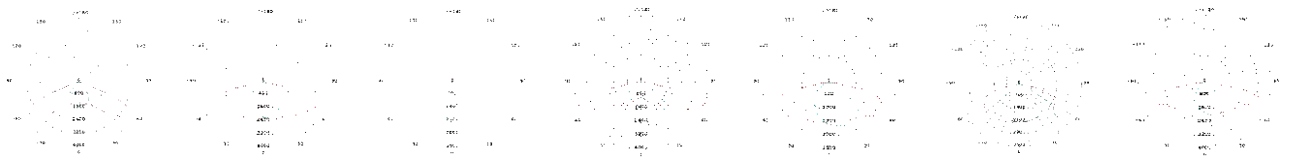
Note: Values shown are subject to ±5% tolerance.



# T29C

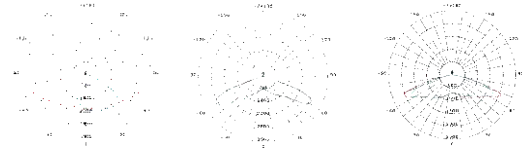
LED Street Light

## Distributions



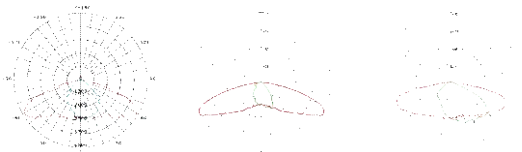
5050 LEDs

T1S1107    T2S2105    T2S2128    T2M2111    T2S3106    T3S1113    T3M2109



T3M2127    T5S2040    T5S2114

3030 LEDs



T1S2340    T2S1397    T3S2398

## Accessories

Photocell Options



Photocell



Shorting Cap

Mounting Adaptor Options



PA Series

## Version History

Change Date	Version	Item	Description of Change	
			From	To
2019/05/22	/	Datasheet release		