

# T2Q

## LED Street Light



### Specifications

<b>Electrical Protection:</b>	Class II
<b>Input Voltage:</b>	100 ~ 277Vac
<b>Input Frequency:</b>	50 / 60Hz
<b>Power Factor (PF):</b>	0.95
<b>Surge Protection Level:</b>	5kV line-line
<b>Operating Environment:</b>	-40°C ~ +50°C, 10% ~ 90% RH
<b>Color Temperature (CCT)*:</b>	3000K, 4000K, 5000K, 5700K
<b>Color Rendering Index (CRI):</b>	≥70
<b>Housing:</b>	Die-cast Aluminum
<b>IP Rating of LED Light Engine:</b>	IP68
<b>IP Rating of luminaire:</b>	IP67
<b>Impact Protection Level:</b>	IK08
<b>Warranty:</b>	5 Years Limited

### Applications

- Roadway lighting  
(Residential areas, overpasses, alleys...)
- Public areas lighting  
(Theme parks, squares, parking lots...)

### Features

#### Construction

- Die-cast aluminum housing.
- Unique patented IP68 (highest protection level) LED light engines.
- Whole structure heating dissipation design with best thermal conduction and radiation.
- IP67 rated luminaire.

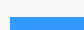
#### Distribution

- Ergonomic and dedicated lighting distributions are available for various roadway applications.

#### Control

- Sensor available (on/off).

### Finishing Colors

	Gray		Black
	White		Blue



# T2Q

LED Street Light

## Ordering Information

Example: T2Q-N1-80-BA-36-1854-7040-CM-MO-WH

Luminary Type	Module Qty.	System Power	LEDs Type	Cable Type	Qty. of LEDs	
<b>T</b> Street light	<b>N1</b> 1 module (non-modular)	<b>80</b> 80W	<b>B</b> 5050 <b>C</b> 3030	<b>A</b> CCC+VDE <b>C</b> PSE <b>H</b> UL <b>X</b> OTHER	<b>36</b> 36pcs	
<b>2Q</b> 2Q series		<b>90</b> 90W			<b>96</b> 96pcs	
		<b>100</b> 100W				
Lens Code	CRI	CCT	Brand of LEDs	Driver Brand	Housing Color	
<b>1856</b> Type I Medium	<b>1853</b> Type I Medium	<b>60</b> Ra≥60	<b>30</b> 3000K	<b>LU</b> LUMILEDS	<b>IN</b> INVENTRONICS	<b>BK</b> Black
<b>1855</b> Type II Medium	<b>1852</b> Type I Medium	<b>70</b> Ra≥70	<b>40</b> 4000K	<b>LN</b> LUMINUS	<b>MO</b> MOSO	<b>WH</b> White
<b>1854</b> Type II Short	<b>1851</b> Type II Short	<b>80</b> Ra≥80	<b>50</b> 5000K	<b>CM</b> CUSTOMIZATION	<b>XX</b> OTHER	<b>BU</b> Blue
		<b>90</b> Ra≥90	<b>57</b> 5700K	<b>XX</b> OTHER		<b>GY</b> Gray
<b>5050 LEDs</b>	<b>3030 LEDs</b>					

## Performance

Model	Power (W)	5050 LEDs (36pcs)		3030 LEDs (96pcs)	
		Efficacy (lm/W)	Lumens (lm)	Efficacy (lm/W)	Lumens (lm)
T2Q	80	158	12,640	137	10,960
	90	155	13,950	133	11,970
	100	152	15,200	128	12,800

\*Above values are calculated based on the product with CCT over 3000K, values of 3000K are 5% lower than above values.

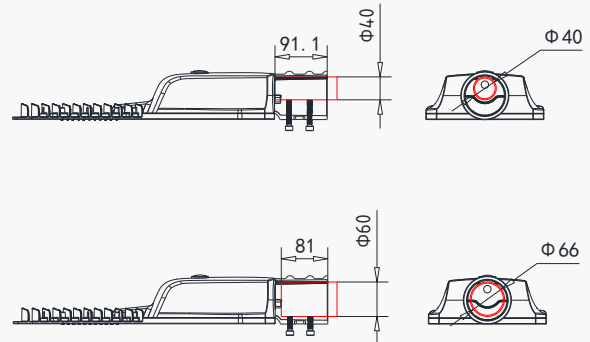
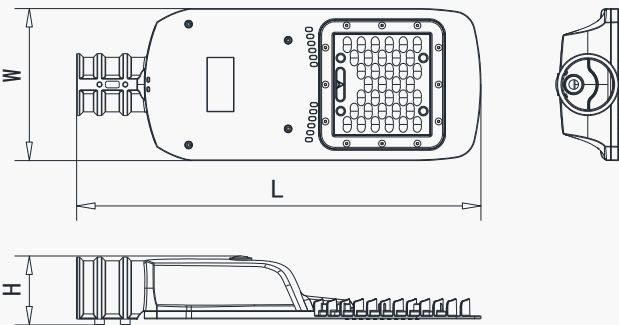
\*Values shown are subject to ±5%~±8% tolerance.

## Dimensions

Model	L (mm)	W (mm)	H (mm)	N.W.* (kg)
T2Q	550	205	95	2.7

Note: Values shown are subject to ±5% tolerance.

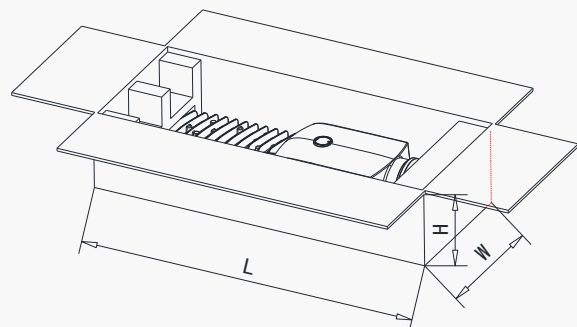
Model	ΦD (mm)	Max. Installation Depth (mm)
T2Q	40	91.1
	66	81



## Package Information

Model	L (mm)	W (mm)	H (mm)	G.W.* (kg)
T2Q	600	255	135	3.3

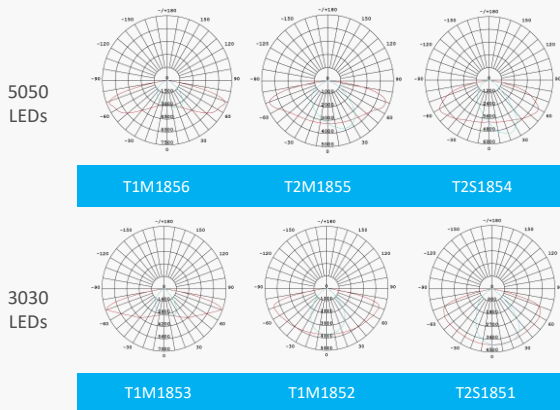
Note: Values shown are subject to ±5% tolerance.



# T2Q

LED Street Light

## Distributions



## Accessories

Mounting Adaptor Options



PA Series

## Version History

Change Date	Version	Description of Change		
		Item	From	To
2019/07/11	/	Datasheet release		