

# T31A

## LED Street Light



### Specifications

|                                       |                               |
|---------------------------------------|-------------------------------|
| <b>Input Voltage:</b>                 | 100 ~ 277Vac                  |
| <b>Input Frequency:</b>               | 50 / 60Hz                     |
| <b>Power Factor (PF):</b>             | 0.95                          |
| <b>Surge Protection Level:</b>        | 10kV line-earth               |
| <b>Operating Environment:</b>         | -40°C~ +50°C, 10% ~ 90% RH    |
| <b>Color Temperature (CCT):</b>       | 3000K, 4000K, 5000K, 5700K    |
| <b>Color Rendering Index (CRI):</b>   | ≥70                           |
| <b>Housing:</b>                       | Aluminum Extrusion Alloy 6063 |
| <b>IP Rating of LED Light Engine:</b> | IP68                          |
| <b>IP Rating of Luminaire:</b>        | IP67                          |
| <b>Warranty:</b>                      | 5 Years Limited               |

### Applications

- Roadway lighting  
(Residential areas, overpasses, alleys...)
- Public areas lighting  
(Theme parks, squares, parking lots...)

### Features

#### Construction

- Aluminum extrusion alloy housing.
- Unique patented IP68 LED light engines.
- Whole structure heating dissipation design with best thermal conduction and radiation.
- IP67 rated luminaire.

#### Distribution

- Ergonomic and dedicated lighting distributions are available for various roadway applications.

### Finishing Colors

— Silver



# T31A

LED Street Light

## Ordering Information

Example: T31A-2-100-M31A-BA-18-2105-7040-CM-MO-SR

| Luminary Type  | Module Qty. | System Power | Module Type      | LED Package | Cable Standard | LED Qty. per module |
|----------------|-------------|--------------|------------------|-------------|----------------|---------------------|
| T Street light | 2 2 modules | 80 80W       | M31A M31A module | B 5050      | A CCC+VDE      | 18 18pcs            |
| 31A 31A series | 3 3 modules | 100 100W     |                  | C 3030      | C PSE          | 28 28pcs            |
|                | 4 4 modules | ...          |                  |             | H UL           | 63 63pcs            |
|                | 5 5 modules | 300 300W     |                  |             | X OTHER        |                     |

| Lens Code            | CRI & CCT            | Brand of LEDs     | Driver Brand    | Housing Colors |
|----------------------|----------------------|-------------------|-----------------|----------------|
| 1107 Type I Short    | 5323 Type I Short    | 7030 Ra≥70, 3000K | IN INVENTRONICS | SR Silver      |
| 2105 Type II Short   | 1324 Type II Short   | 7040 Ra≥70, 4000K | MO MOSO         |                |
| 2128 Type II Short   | 2201 Type II Short   | 7050 Ra≥70, 5000K | XX OTHER        |                |
| 2111 Type II Medium  | 2321 Type II Short   | 7057 Ra≥70, 5700K |                 |                |
| 3106 Type II Short   | 5321 Type II Short   |                   |                 |                |
| 1113 Type III Short  | 1321 Type III Medium |                   |                 |                |
| 2109 Type III Medium |                      |                   |                 |                |
| 2127 Type III Medium |                      |                   |                 |                |
| 2040 Type V          |                      |                   |                 |                |
| 2114 Type V          |                      |                   |                 |                |
| 5050 LEDs            | 3030 LEDs            |                   |                 |                |

## Performance

| Model  | Power (W) | 5050 LEDs – 28pcs |             | 5050 LEDs – 18pcs |             | 3030 LEDs - 63pcs |             |
|--------|-----------|-------------------|-------------|-------------------|-------------|-------------------|-------------|
|        |           | Efficacy (lm/W)   | Lumens (lm) | Efficacy (lm/W)   | Lumens (lm) | Efficacy (lm/W)   | Lumens (lm) |
| T31A-2 | 80        | 175               | 14,000      | 165               | 13,200      | 140               | 11,200      |
|        | 100       | 170               | 17,000      | 155               | 15,500      | 135               | 13,500      |
|        | 120       | 163               | 19,560      | 145               | 17,400      | 127               | 15,240      |
| T31A-3 | 120       | 175               | 21,000      | 165               | 19,800      | 140               | 16,800      |
|        | 150       | 170               | 25,500      | 155               | 23,250      | 135               | 20,250      |
|        | 180       | 163               | 29,340      | 145               | 26,100      | 127               | 22,860      |
| T31A-4 | 160       | 175               | 28,000      | 165               | 26,400      | 140               | 22,400      |
|        | 200       | 170               | 34,000      | 155               | 31,000      | 135               | 27,000      |
|        | 240       | 163               | 39,120      | 145               | 34,800      | 127               | 30,480      |
| T31A-5 | 200       | 175               | 35,000      | 165               | 33,000      | 140               | 28,000      |
|        | 250       | 170               | 42,500      | 155               | 38,750      | 135               | 33,750      |
|        | 300       | 163               | 48,900      | 145               | 43,500      | 127               | 38,100      |

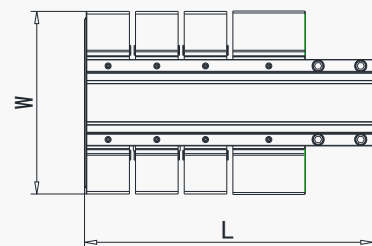
\*Above values are calculated based on the product with CCT over 3000K, values of 3000K are 5% lower than above values.

\*Values shown are subject to ±5%~±8% tolerance.

## Dimensions

| Model  | L (mm) | W (mm) | H (mm) | Available Pole O.D. (mm) | Max. Installation Depth (mm) | N.W.* (kg) |
|--------|--------|--------|--------|--------------------------|------------------------------|------------|
| T31A-2 | 395    | 300    | 90     | Φ57~63                   | 105~115                      | 5.0        |
| T31A-3 | 475    | 300    | 90     | Φ57~63                   | 105~115                      | 5.8        |
| T31A-4 | 555    | 300    | 90     | Φ57~63                   | 105~115                      | 6.6        |
| T31A-5 | 635    | 300    | 90     | Φ57~63                   | 105~115                      | 7.6        |

\* Values shown are subject to ±5% tolerance.



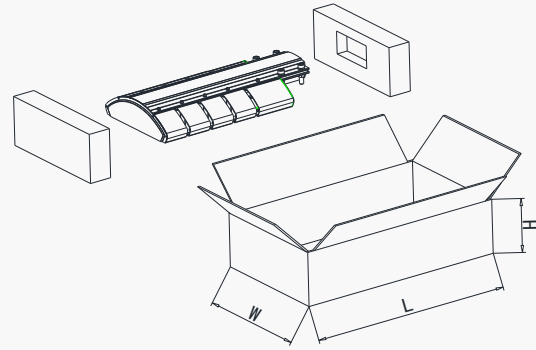
# T31A

LED Street Light

## Package Information

| Model  | L (mm) | W (mm) | H (mm) | G.W.* (kg) |
|--------|--------|--------|--------|------------|
| T31A-2 | 480    | 385    | 165    | 5.9        |
| T31A-3 | 560    | 385    | 165    | 6.9        |
| T31A-4 | 640    | 385    | 165    | 8.0        |
| T31A-5 | 720    | 385    | 165    | 9.2        |

Note: Values shown are subject to ±5% tolerance.



## Distributions



## Version History

| Change Date | Version | Description of Change |      |    |
|-------------|---------|-----------------------|------|----|
|             |         | Item                  | From | To |
| 2019/04/22  | Ver.2.0 | Datasheet release     |      |    |