

T33A

LED Street Light



Specifications

Input Voltage:	100 ~ 277Vac
Input Frequency:	50 / 60Hz
Power Factor (PF):	0.95
Surge Protection Level:	10kV line-earth
Operating Environment:	-40°C ~ +50°C, 10% ~ 90% RH
Color Temperature (CCT)*:	3000K, 4000K, 5000K, 5700K
Color Rendering Index (CRI):	≥70
Housing:	Die-cast Aluminum
IP Rating of LED Light Engine:	IP68
IP Rating of Electrical Compartment:	IP66
Impact Protection Level:	IK08
Warranty:	5 Years Limited

Applications

- Roadway lighting
(Residential areas, overpasses, alleys...)
- Public areas lighting
(Theme parks, squares, parking lots...)

Features

Construction

- Die-cast aluminum housing.
- Unique patented IP68 (highest protection level) LED light engines.
- Whole structure heating dissipation design with best thermal conduction and radiation.
- IP66 rated electrical compartment.

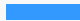
Distribution

- Ergonomic and dedicated lighting distributions are available for various roadway applications.

Control

- Optional NEMA receptacle & photocell/shorting cap.

Finishing Colors

	Gray		Black
	White		Blue



T33A

LED Street Light

Ordering Information

Example: T33A-N1-60P-BA-24-2210-7040-CM-MO-GY

Luminary Type	Module Qty.	System Power	Photocell Options	LEDs Type	Cable Type	Qty. of LEDs
T Street light 33A 33A series	N1 1pcs Integral LED module	40 40W 50 50W 60 60W	P Photocell S Shorting Cap	B 5050 C 3030	A CCC+VDE C PSE H UL X OTHER	24 24pcs 63 63pcs
Lens Code	CRI	CCT	Brand of LEDs	Driver Brand	Housing Color	
2240 Type III Medium 2219 Type II Medium 2210 Type II Short	2213 Type I Short 1396 Type II Short 2397 Type III Medium	60 Ra≥60 70 Ra≥70 80 Ra≥80 90 Ra≥90	30 3000K 40 4000K 50 5000K 57 5700K	LU LUMILEDS LN LUMINUS CM CUSTOMIZATION XX OTHER	IN INVENTRONICS MO MOSO XX OTHER	BK Black WH White BU Blue GY Gray
5050 LEDs	3030 LEDs					

Performance

Model	Power (W)	5050 LEDs		3030 LEDs	
		Efficacy (lm/W)	Lumens (lm)	Efficacy (lm/W)	Lumens (lm)
T33A	40	150	6,000	135	5,400
	50	145	7,250	130	6,500
	60	140	8,400	122	7,320

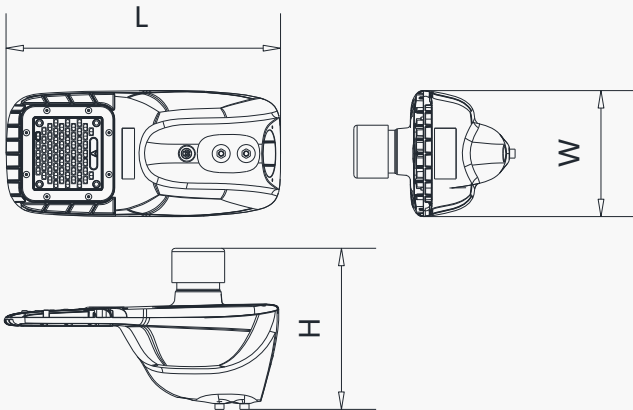
*Above values are calculated based on the product with CCT over 3000K, values of 3000K are 5% lower than above values.

*Values shown are subject to ±5%~±8% tolerance.

Dimensions

Model	L (mm)	W (mm)	H (mm)	Available Pole O.D. (mm)	Max. Installation Depth (mm)	N.W.* (kg)
T33A	395	180	235	57~63	110	3.1

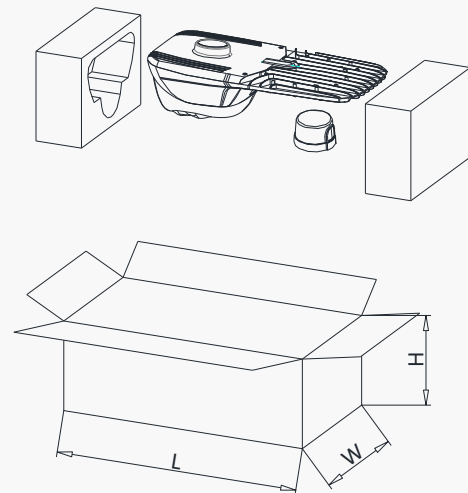
Note: Values shown are subject to ±5% tolerance.



Package Information

Model	L (mm)	W (mm)	H (mm)	G.W.* (kg)
T33A	465	250	260	4.0

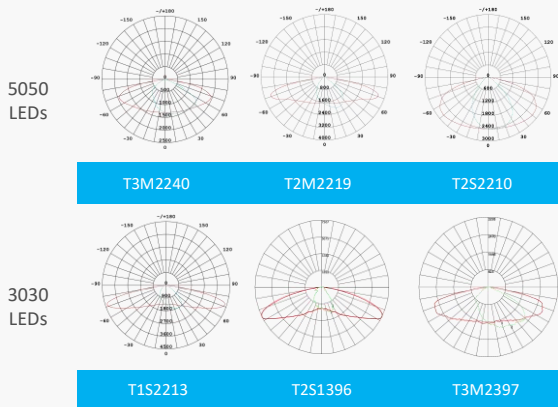
Note: Values shown are subject to ±5% tolerance.



T33A

LED Street Light

Distributions



Accessories

Photocell Options



Photocell



Shorting Cap

Mounting Adaptor Options



PA Series

Version History

Change Date	Version	Item	Description of Change	
			From	To
2019/10/24	/	Datasheet release		