

T85A

LED Street Light



Specifications

Input Voltage:	100 ~ 277Vac
Input Frequency:	50 / 60Hz
Power Factor (PF):	0.95
Surge Protection Level:	10kV line-earth
Operating Environment:	-40°C ~ +50°C, 10% ~ 90% RH
Color Temperature (CCT):	3000K, 4000K, 5000K, 5700K
Color Rendering Index (CRI):	≥70
Housing:	Die-cast Aluminum
IP Rating of LED Light Engine:	IP68
IP Rating of Engine Compartment:	IP66
IP Rating of Electrical Compartment:	IP66
Impact Protection Level:	IK09
Warranty:	5 Years Limited

Applications

- Roadway lighting
(Residential areas, overpasses, alleys...)
- Public areas lighting
(Theme parks, squares, parking lots...)

Features

Construction

- Die-cast aluminum housing.
- Die-cast latches provide easy, tool-less access to the electrical compartment.
- Unique patented IP68 (highest protection level) LED light engines.
- IP66 rated engine compartment sealed with tempered glass with impact resistance rating of IK09.

Distribution

- Ergonomic and dedicated lighting distributions are available for various roadway applications.

Control

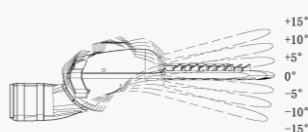
- Optional NEMA receptacle & photocell/shorting cap.

Finishing Colors

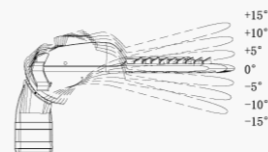


Mounting

Side-entry Installation



Post-top Installation



T85A

LED Street Light

Design Features



Bubble level

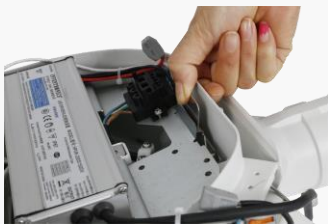
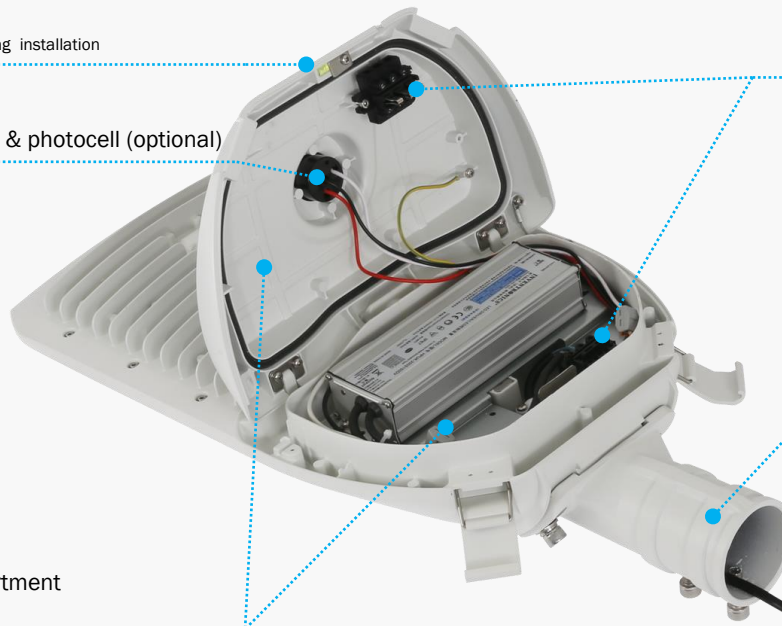
For easy leveling during installation

NEMA receptacle & photocell (optional)

Electrical compartment IP66 rated

Electrical disconnecter (optional) Immediate disconnection of power supply

Matched pole diameter Φ40-50, Φ55-65, Φ66-76



Removable Mounting Plate of Driver
Optional



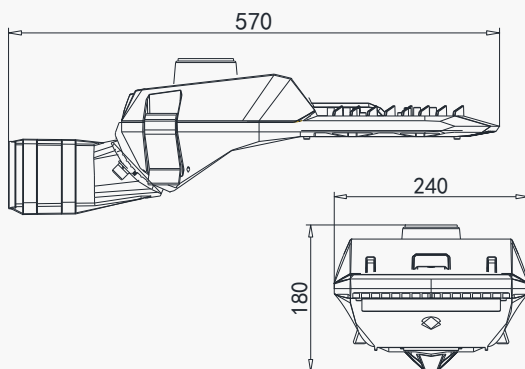
Tempered Glass
IK09 rated



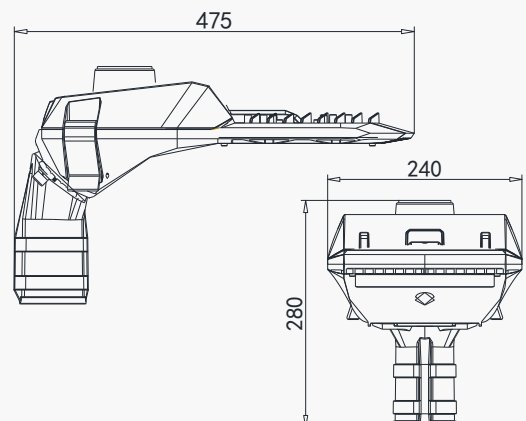
Die-cast Latches

Dimensions

Model	L (mm)	W (mm)	H (mm)	N.W. (kg)
T85A	570	240	180	5.8



Model	L (mm)	W (mm)	H (mm)	N.W. (kg)
T85A	475	240	280	5.8



T85A

LED Street Light

Ordering Information

Example: T85A-N1-60-BA-24-2210-7040-CM-MO-WH

Luminary Type	Module Qty.	System Power	LEDs Type	Cable Type	Qty. of LEDs	
T Street light 85A 85A series	N1 1pcs Integral LED module	40 40W 50 50W 60 60W	B 5050 C 3030	A CCC+VDE C PSE H UL X OTHER	24 24pcs 63 63pcs	
Lens Code	CRI	CCT	Brand of LEDs	Driver Brand	Housing Color	
2240 Type III Medium 2219 Type II Medium 2210 Type II Short	2213 Type I Short 1396 Type II Short 2397 Type III Medium	60 Ra≥60 70 Ra≥70 80 Ra≥80 90 Ra≥90	30 3000K 40 4000K 50 5000K 57 5700K	LU LUMILEDS LN LUMINUS CM CUSTOMIZATION XX OTHER	IN INVENTRONICS MO MOSO XX OTHER	BK Black WH White BU Blue GY Gray
5050 LEDs	3030 LEDs					

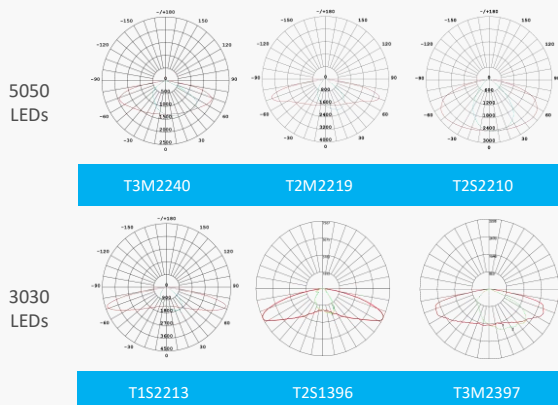
Performance

Model	Power (W)	5050 LEDs			3030 LEDs	
		Efficacy (lm/W)	Lumens (lm)	Efficacy (lm/W)	Lumens (lm)	
T85A	40	145	5,800	125	5,000	
	50	140	7,000	120	6,000	
	60	135	8,100	115	6,900	

*Above values are calculated based on the product with CCT over 3000K, values of 3000K are 5% lower than above values.

*Values shown are subject to ±5%~±8% tolerance.

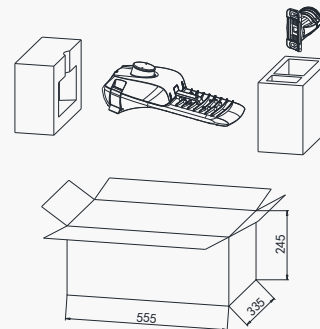
Distributions



Package Information

Model	L (mm)	W (mm)	H (mm)	G.W.* (kg)
T85A	555	355	245	6.5

* Values shown are subject to ±5% tolerance.



Accessories



Photocell

Shorting Cap

Version History

Change Date	Version	Item	Description of Change	
			From	To
2019/05/27	Ver. 2.0	Datasheets release		