

TS2H

LED Tunnel Light




Specifications

Input Voltage:	100 ~ 277Vac
Input Frequency:	50 / 60Hz
Power Factor:	0.95
Surge Protection Level:	10kV line-earth
Working Environment:	-40°C ~ +45°C, 10% ~ 90% RH
CCT:	3000K, 4000K, 5000K, 5700K
CRI:	≥70
Housing:	Extrusion
IP Rating of LED Engine:	IP68
IP Rating of LED Driver:	IP67
Impact Resistance	IK08
Warranty:	5 Years Limited



Brackets Colors

	Gray		Black
	White		Blue

Applications

- Tunnel lighting (tunnel, underpass, corridor...)

Features

Construction

- Whole structure heating dissipation design with efficient thermal conduction, radiation and convection.
- Unique patented IP68 LED light engines.
- Tool-less onsite replacement of light engines greatly reduces maintenance cost.

Electrical

- Flexible to reach desired power consumption by choosing appropriate light engines.

Optical

- Ergonomic and specialized lighting distributions.

Mounting

- Bracket adjustable within $\pm 60^\circ$ maximum.

Photos



TS2H

LED Tunnel Light

Ordering Information

Example: TS2H-3-180-M8B-CA-63-1390-7040-LU-MO-GY

Luminaire Type	Module Qty	System Power	LED Module	LED Package	Cable Standard	LED Qty per Module
TS Tunnel light	1 1 module	40 40W	M1A M1A module	A 3535	A CCC+VDE	18 18pcs
	2 2modules	50 50W	M2A M2A module			
2H 2H series	3 3 modules	60 60W	M8B M8B module	C 3030	C PSE H UL X Others	63 63pcs
	4 4 modules	M16B M16B module			
		240 240W		B 5050		18 18pcs 28 28pcs

Lens Code	CRI & CCT	Brand of LEDs	Driver Brand	Bracket Color
1502 Type I Short Vertical	7030 Ra≥70, CCT 3000K	LU LUMILEDS	MO MOSO	BK Black
3101 Type I Short Vertical	7040 Ra≥70, CCT 4000K	CM LUMILEDS	IN INVENTRONICS	WH White
1010 110degree	7050 Ra≥70, CCT 5000K	Customized	PH PHILIPS	BU Blue
3590 90 degree	7057 Ra≥70, CCT 5700K	SS SAMSUNG	MW MEAN WELL	GY Gray
2322 Type II Short Vertical		NI NICHIA	XX Others	
5390 90 degree		CR CREE		
1310 Lambertian type		LN LUMINUS		
3108 Type II Short Vertical		XX Others		
2190 90 degree				
2310 Lambertian type				

Performance

Model	Power (W)	Module M1A/M2A-VA-18		Module M8B-VC-63		Module M16B-VB-18		Module M16B-VB-28	
		Efficacy (lm/W)	Flux (lm)	Efficacy (lm/W)	Flux (lm)	Efficacy (lm/W)	Flux (lm)	Efficacy (lm/W)	Flux (lm)
TS2H-1	40	130	5200	135	5400	152	6080	168	6720
	50	122	6100	130	6500	145	7250	163	8150
	60	117	7020	122	7320	133	7980	155	9300
TS2H-2	80	137	10960	140	11200	160	12800	175	14000
	100	130	13000	135	13500	150	15000	170	17000
	120	122	14640	127	15240	140	16800	163	19560
TS2H-3	120	137	16440	140	16800	160	19200	175	21000
	150	130	19500	135	20250	150	22500	170	25500
	180	122	21960	127	22860	140	25200	163	29340
TS2H-4	160	137	21920	140	22400	160	25600	175	28000
	200	130	26000	135	27000	150	30000	170	34000
	240	122	29280	127	30480	140	33600	163	39120

Note: 1. Values shown are subject to ±5%~±8% tolerance.

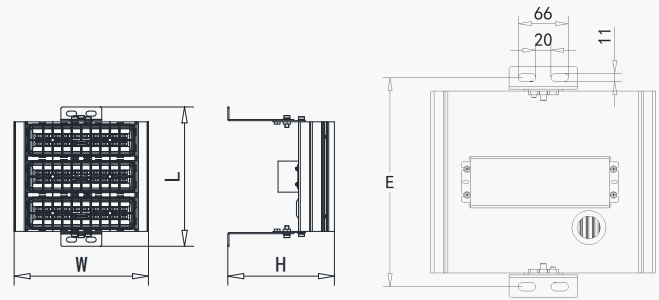
2. Efficacy of Ra70 3000K is 5% lower than other CCT≥4000K.

TS2H

LED Tunnel Light

Product Dimensions

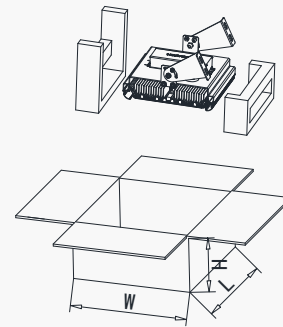
Model	L (mm)	W (mm)	H (mm)	N.W. (kg)	E (mm)
TS2H-1	140	300	235	2.4	111
TS2H-1 (wide)	155	300	235	2.5	126
TS2H-2	225	300	235	3.8	196
TS2H-3	305	300	235	5.1	276
TS2H-4	385	300	235	6.0	356



Notes: Typical values above. Tolerance of N.W.: 5%. Tolerance of L/W/H: ± 5 mm. Tolerance of E and mounting holes dimensions ± 0.5 mm:

Package Information

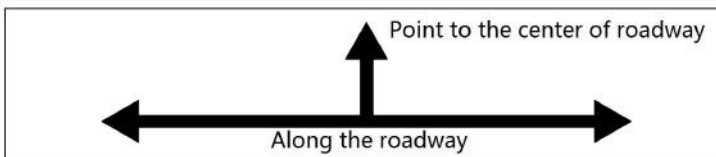
Model	L (mm)	W (mm)	H (mm)	G.W. (kg)
TS2H-1	155	325	245	2.8
TS2H-1 (wide)	155	325	245	2.9
TS2H-2	235	325	245	4.4
TS2H-3	315	325	245	5.9
TS2H-4	395	325	245	6.9



Notes: Typical values above. Tolerance of dimensions: ± 5 mm. Tolerance of G.W.: 5%.

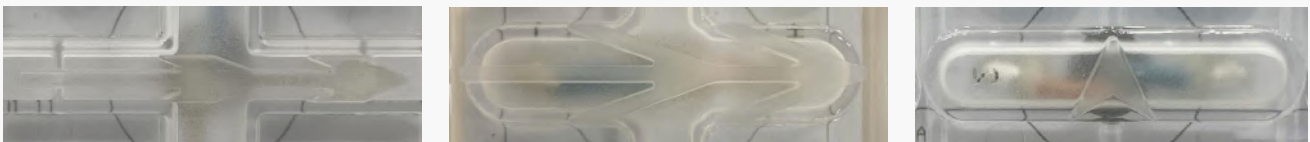
Mounting Direction Instructions

1. If there are arrows like below on the fixture, follow the direction of the arrow in the middle as pointing to the center of the roadway instead of borders.



2. If there is no figure of arrows like above on the fixture, check arrows on LED module lenses.

2.1. When there is only one arrow direction on the lens, follow the direction of arrows as pointing to the center of roadway.



2.2. When there are opposite arrows on the lens, follow the direction as arrows being along the roadway.

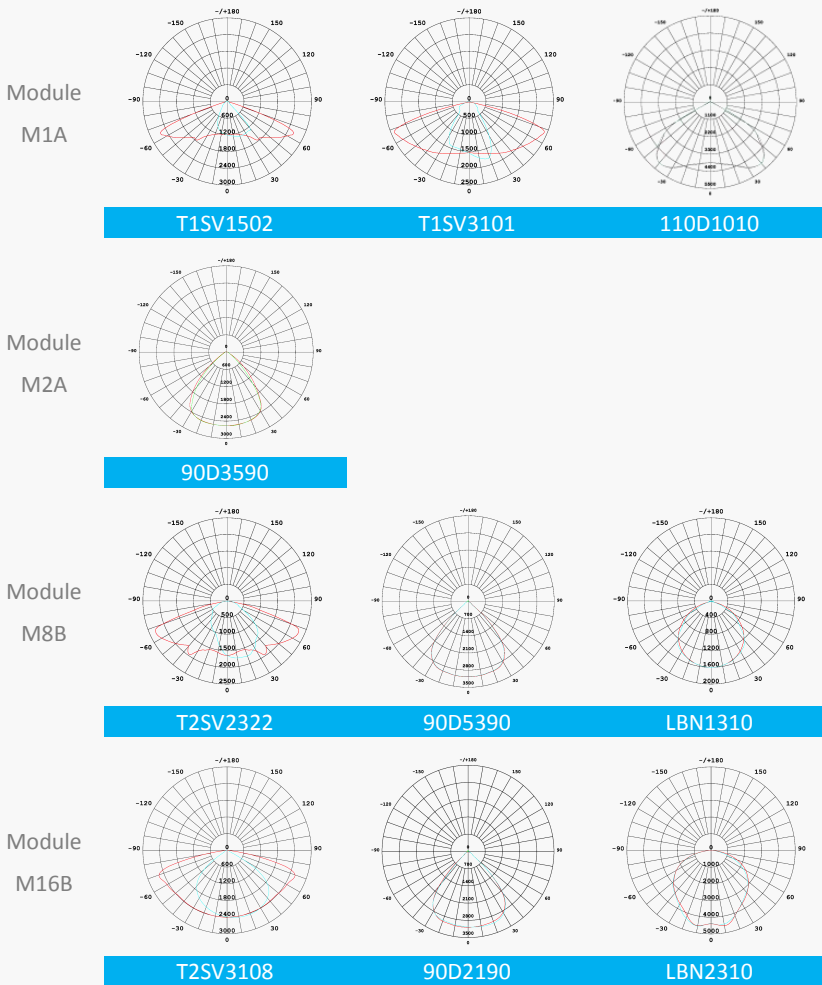


3. If there is no figure of arrow on LED module lens, it is a symmetric lighting distribution solution. No particular direction. Only adjust the brackets.

TS2H

LED Tunnel Light

Typical Distributions



Version History

Change Date	Version	Item	Description of Change	
			From	To
2019/10/18	Ver3.0	Datasheet in new format Efficacy improved	/	/
2019/10/25	Ver3.1	Mounting Direction Instructions		added