

LED Module M23B Series



Specification

Working Environment: -40°C~+50°C

Storage Temperature: -40°C~+50°C

Relative humidity: 10%~90%RH

Typical value of pad temperature^[1]: 60°C

IP Rating of LED Light Engine: IP68

Color Temperature (CCT)^[2]: 3000K, 4000K, 5000K, 5700K

Main Material: Die-cast aluminum ADC12

Module N.W.: 0.14±0.01 kg

Features

- Lumileds Luxeon 3030;
- Super long lifetime(Lumen maintenance);
- Wide applicability for complex situations;
- High versatility apply for all sorts of lamps retrofit;
- High quality surface treatment.^[3]

Application

- Garden lighting retrofit and application;
- Landscape lighting retrofit and application.

[1] Typical values of pad temperature is obtained based on ambient temperature of 25°C. 30W

[2] Efficacy of 3000K is 5% lower than other CCTs.

[3] After special treatment, the module can be used in coastal areas, high ultraviolet areas and other special environments. If you want to use the modules in these environments, please contact HPWINNR sales for more information.

Ordering Information

For example: M23B-XCA-10-2335-7040-SN

Module Model	Interface	Dimension of LEDS	Wire Material	LED Qty	Lens Model	Ra & CCT	LED Brand
M23B	X: Universal interface	C: 3030	A: CCC+VDE	10 10PCS	2335 Lambert Type	7030: Ra≥70, 3000K	LU: Lumileds SN: Sanan XX: Others
			C: PSE			8040: Ra≥80, 4000K	
			H: UL			...	
			X: Others				

Performance

Model	Power (W)	Driving current (mA)	Input voltage (Vdc)	Efficacy (lm/W)	Lumens (lm)
M23B-XCA-10	10	280	28~33	120	1200

Note : Values shown are subject to ±5%~±8% tolerance; Cable default A type;

Efficacy above is based on calculated @92% power efficiency ; Light efficacy of 3000K is 5% lower than other CCTs.

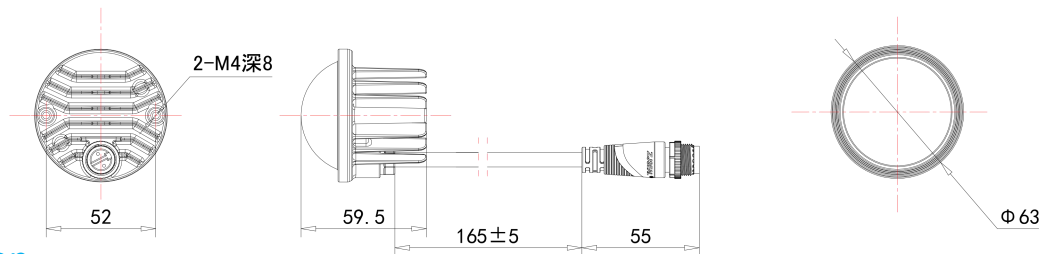
Dimensions

Diameter (mm)	Height (mm)
Φ63	59.5

Tolerance: ±0.5mm

Available lens code

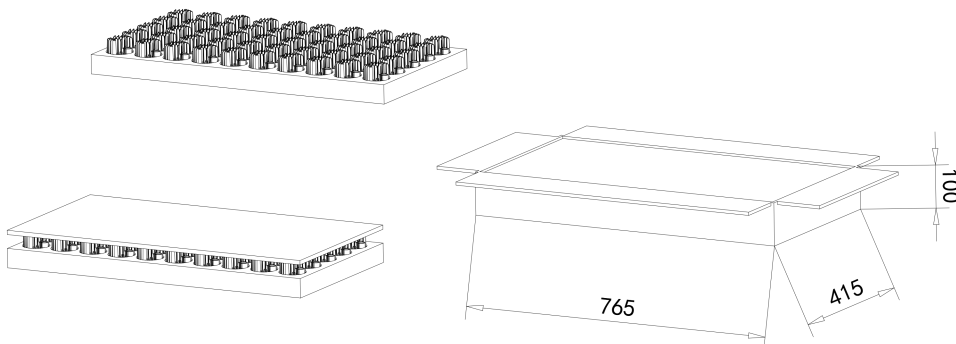
2335



Package Information

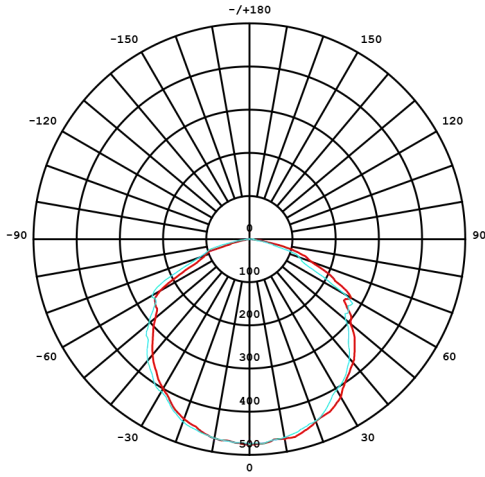
L (mm)	W (mm)	H (mm)	Module pcs/carton (PCS)	Package weight (kg)
765	415	100	50	8.5

Values shown are subject to ±5% tolerance.



Lighting distributions

LBN2335



Version History

Change Date	Version	Description of Change		
		Item	From	To
20210111	Ver1.0	Data sheets release (new version)	/	/